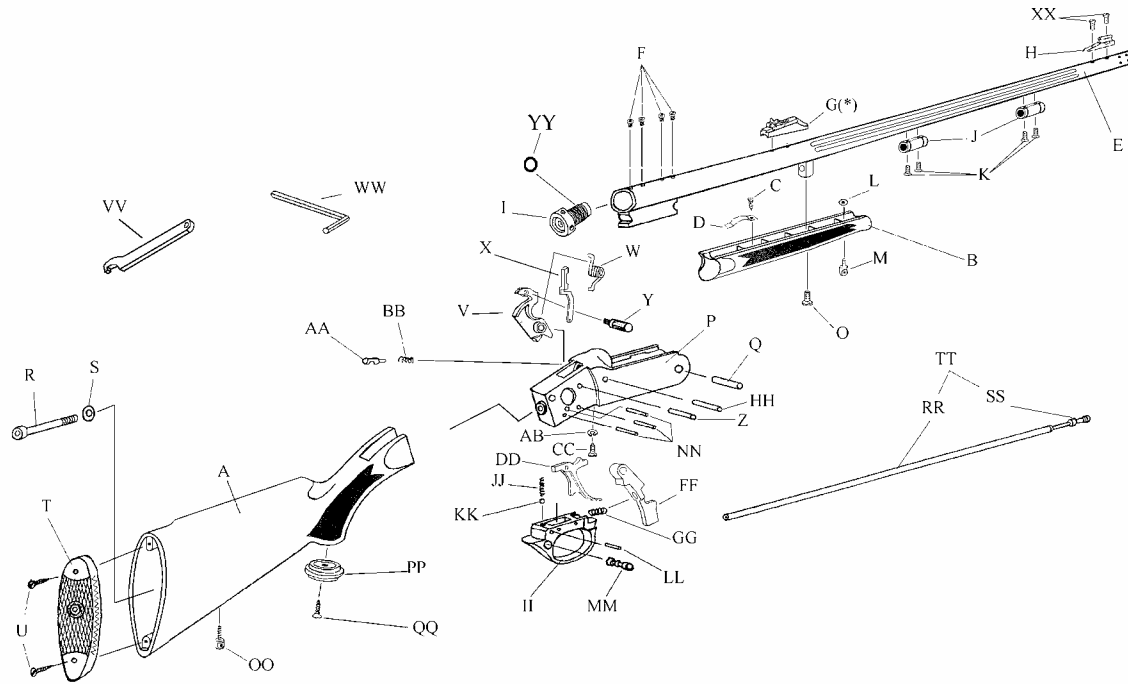


**Pursuit XLT Accelerator Rifle - AW Composite -
Models: R-76003550**

.50 cal. Perc. 1-28"
Blued Barrel

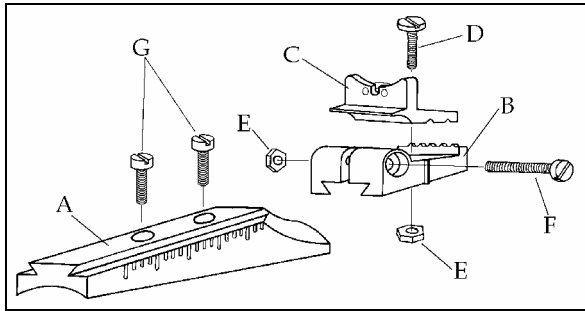


| Description | Reference | Description | Reference |
|---|------------|---|-----------|
| A Rear Stock (AW Composite) (Finished)..... | FCS71001-2 | Y Hammer Handle..... | 710004 |
| B Fore Stock (AW Composite) (Finished)..... | FCS71001-1 | Z Hammer Pin..... | M710031 |
| C Ramrod Retaining Spring Screw..... | 21817 | AA Firing Pin..... | 71007 |
| D Ramrod Retaining Spring..... | 400030 | BB Firing Pin Spring..... | M71011 |
| E Barrel Assembly (Kit) (Length 28") .50 cal. perc. (twist 1-28")..... | C-760035-B | CC Firing Pin Retaining Screw..... | M710021 |
| Barrel Assembly (Finished) (Length 28") .50 cal. perc. Blued/Fluted/Ported(twist 1-28")..... | FB760035 | DD Trigger..... | 71003 |
| F Plug Screw (4)..... | 26029 | FF Barrel Catch..... | 71005 |
| G Fiber Optic Rear Sight..... | 50610-FO | GG Barrel Catch Spring..... | M71017 |
| H Fiber Optic Front Sight..... | M50611-FO | HH Barrel Catch Pin..... | M710023 |
| I Speed Breech Plug (SS)..... | M7400099 | II Trigger Guard..... | M710027 |
| J Ramrod Thimble (2)..... | 400032-P | JJ Trigger Guard Spring..... | M71015 |
| K Ramrod Thimble Screw (4)..... | 400031 | KK Pin..... | 71000 |
| L Sling Swivel Stud – Front nut..... | 60122 | LL Safety Pin..... | M710029 |
| M Sling Swivel Stud – Front..... | 37122 | MM Safety..... | 710032 |
| O Forend Stock Screw..... | 10035 | NN Trigger Guard and Trigger Pin (3)..... | 710025 |
| P Frame (Alloy/Blued)..... | 74004 | OO Sling Swivel Stud-Rear..... | 37013 |
| Q Frame Pivot Pin..... | 710024 | PP Pistol Grip Cap..... | 50104 |
| R Tang Screw..... | 71016 | QQ Pistol grip Cap Screw..... | 50105 |
| S Tang Screw Washer..... | 71019 | RR Ramrod 28" (Aluminum)..... | 100030 |
| T Buttpad..... | 74026 | SS Ramrod Tip .50 Cal (Aluminum)..... | 100028 |
| U Buttpad Mounting Screw (2)..... | 20634 | TT Ramrod Assembly..... | 100011 |
| V Hammer..... | 71002 | VV Speed Breech Plug Wrench..... | 730029 |
| W Hammer Spring..... | M71018 | WW Allen Wrench..... | M1005 |
| X Transfer Bar..... | 71006 | XX Front Sight Mounting Screw (2)..... | 50620 |
| | | YY Rubber O-Ring..... | 70016 |
| | | AB Firing Pin Screw Washer..... | 71020 |

(*). Exploded view at the reverse.

TRADITIONS™

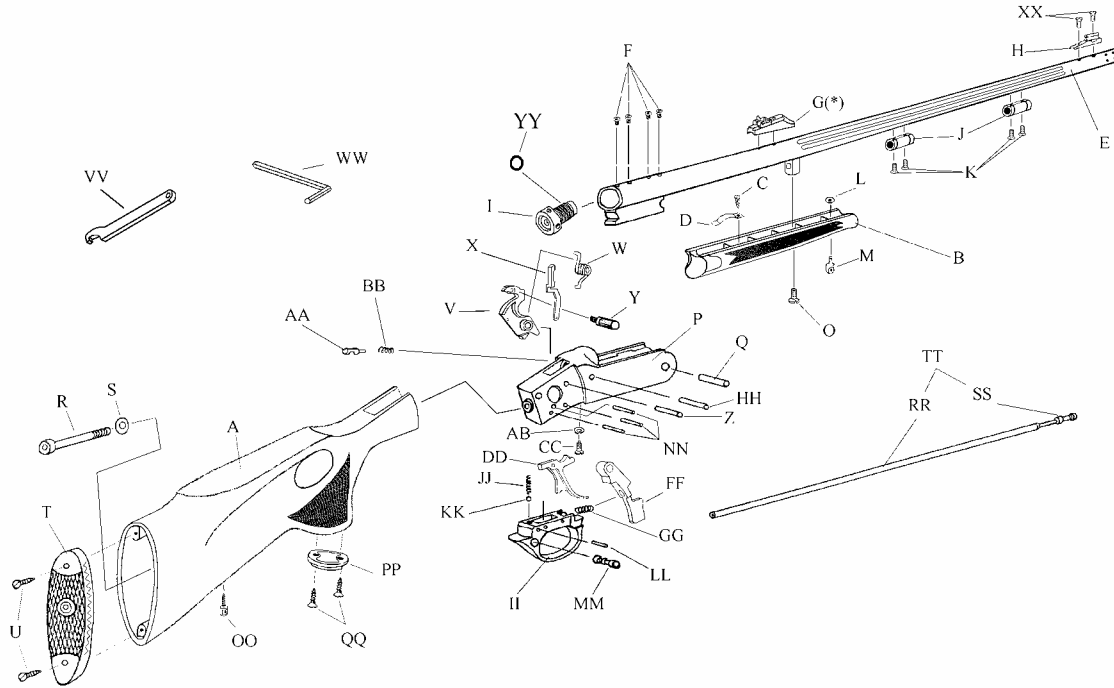
Fiber Optic Rear Sight - Ref. 50610-FO



| | Description | Reference |
|---|---|-----------|
| A | Rear Sight Base (Round)..... | 50613 |
| B | Elevator Base..... | 50614 |
| C | Rear Sighting Blade with Fiber Optic..... | 50615-FO |
| D | Windage Adjustment Locking Screw..... | 50617 |
| E | Hex. Nut (2)..... | 50618 |
| F | Elevation Adjustment Locking Screw..... | 50616 |
| G | Rear Sight Mounting Screw (2)..... | 50622 |

**Pursuit XLT Accelerator Rifle -AW Composite Thumbhole-
Models: R-78003550**

.50 cal. Perc. 1-28"
Blued Barrel

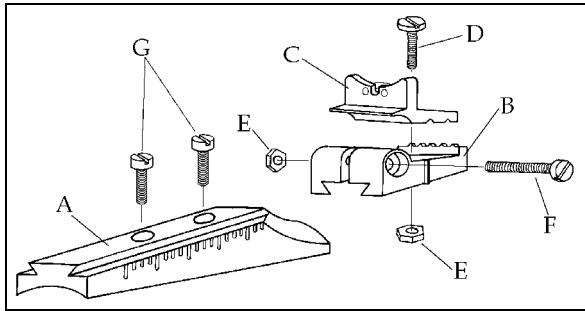


| Description | Reference | Description | Reference |
|---|------------|---|-----------|
| A Rear Stock (AW Comp. Thumbhole) (Finished)... | FCS78001-2 | Y Hammer Handle..... | 710004 |
| B Fore Stock (AW Composite) (Finished)..... | FCS71001-1 | Z Hammer Pin..... | M710031 |
| C Ramrod Retaining Spring Screw..... | 21817 | AA Firing Pin..... | 71007 |
| D Ramrod Retaining Spring..... | 400030 | BB Firing Pin Spring..... | M71011 |
| E Barrel Assembly (Kit) (Length 28") .50 cal. perc. (twist 1-28")..... | C-760035-B | CC Firing Pin Retaining Screw..... | M710021 |
| Barrel Assembly (Finished) (Length 28") .50 cal. perc. Blued/Fluted/Ported(twist 1-28")..... | FB760035 | DD Trigger..... | 71003 |
| F Plug Screw (4)..... | 26029 | FF Barrel Catch..... | 71005 |
| G Fiber Optic Rear Sight..... | 50610-FO | GG Barrel Catch Spring..... | M71017 |
| H Fiber Optic Front Sight..... | M50611-FO | HH Barrel Catch Pin..... | M710023 |
| I Speed Breech Plug (SS)..... | M7400099 | II Trigger Guard..... | M710027 |
| J Ramrod Thimble (2)..... | 400032-P | JJ Trigger Guard Spring..... | M71015 |
| K Ramrod Thimble Screw (4)..... | 400031 | KK Pin..... | 71000 |
| L Sling Swivel Stud – Front nut..... | 60122 | LL Safety Pin..... | M710029 |
| M Sling Swivel Stud – Front..... | 37122 | MM Safety..... | 710032 |
| O Forend Stock Screw..... | 10035 | NN Trigger Guard and Trigger Pin (3)..... | 710025 |
| P Frame (Alloy/Blued)..... | 74004 | OO Sling Swivel Stud-Rear..... | 37013 |
| Q Frame Pivot Pin..... | 710024 | PP Pistol Grip Cap..... | 78104 |
| R Tang Screw..... | 71016 | QQ Pistol grip Cap Screw (2)..... | 50105 |
| S Tang Screw Washer..... | 71019 | RR Ramrod 28" (Aluminum)..... | 100030 |
| T Buttpad..... | 74026 | SS Ramrod Tip .50 Cal (Aluminum)..... | 100028 |
| U Buttpad Mounting Screw (2)..... | 20634 | TT Ramrod Assembly..... | 100011 |
| V Hammer..... | 71002 | VV Speed Breech Plug Wrench..... | 730029 |
| W Hammer Spring..... | M71018 | WW Allen Wrench..... | M1005 |
| X Transfer Bar..... | 71006 | XX Front Sight Mounting Screw (2)..... | 50620 |
| | | YY Rubber O-Ring..... | 70016 |
| | | AB Firing Pin Screw Washer..... | 71020 |

(*). Exploded view at the reverse.

TRADITIONS™

Fiber Optic Rear Sight - Ref. 50610-FO



| | Description | Reference |
|---|---|-----------|
| A | Rear Sight Base (Round)..... | 50613 |
| B | Elevator Base..... | 50614 |
| C | Rear Sighting Blade with Fiber Optic..... | 50615-FO |
| D | Windage Adjustment Locking Screw..... | 50617 |
| E | Hex. Nut (2)..... | 50618 |
| F | Elevation Adjustment Locking Screw..... | 50616 |
| G | Rear Sight Mounting Screw (2)..... | 50622 |