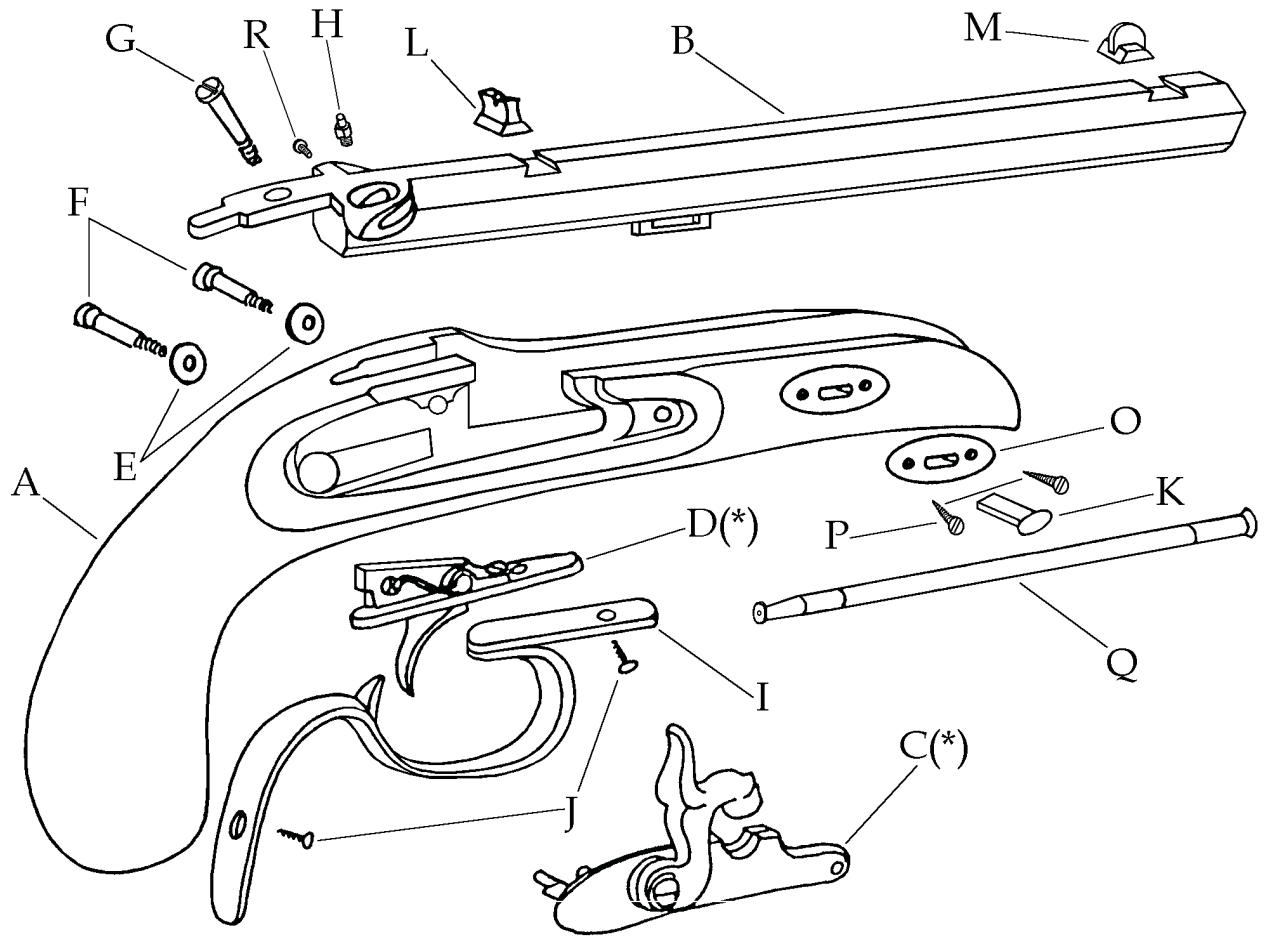


- Pioneer Pistol -		
Models:	Finished	Kit
	P-1265	KP-4265
	.45 cal. perc. 1-16" Blued Barrel	.45 cal. perc. 1-16" White Barrel

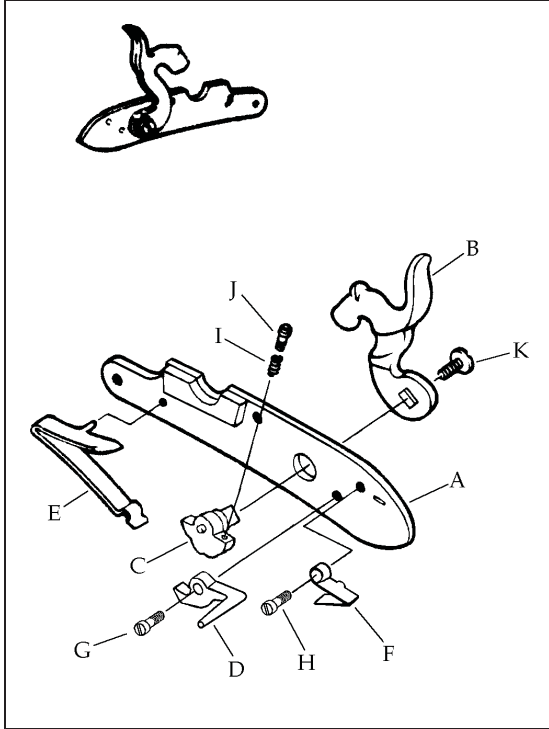


Description	Reference	Description	Reference
A Stock (Beech) (kit).....	K-12601	H Nipple Percussion Only.....	20608
Stock Beech (Percussion) (Finished).....	FCS12601	I Trigger Guard.....	12623
B Barrel Assembly (Kit)		J Trigger Guard Screw.....	20624
.45 cal. perc. (twist 1-16").....	C-126005	K Wedge.....	12618
Barrel Assembly Blued (Finished)		L Rear Sight.....	20210
.45 cal. perc. (twist 1-16").....	FB126005	M Front Sight.....	12611
C Percussion Lock.....	12603	O Wedge Plate (2).....	21836
D Trigger Assembly.....	22622	P Wedge Plate Screw (4).....	21817
E Lock Washer (2).....	20840	Q Ramrod.....	12628
F Lock Screw (2).....	12620	R Tang Screw (Side).....	M131041
G Tang Screw.....	12609		

(*) Exploded view at the reverse.

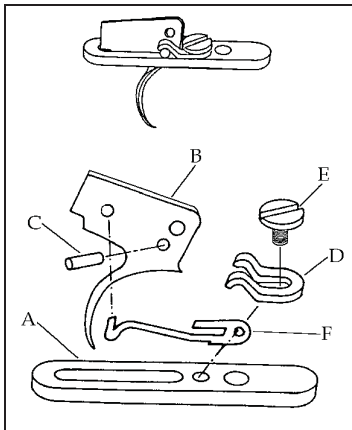
TRADITIONS™

Percussion Lock Assembly - Ref. 12603



Description	Reference
A Lock Plate.....	90301
B Hammer.....	70602
C Tumbler.....	70603
D Sear.....	70504
E Mainspring.....	45071
F Sear Spring.....	70506
G Sear Screw.....	70514
H Sear Spring Screw.....	70121
I Sear Adjusting Screw Spring.....	70520
J Sear Adjusting Screw.....	70518
K Hammer Screw.....	75512P

Trigger Assembly - Ref. 22622



Description	Reference
A Trigger Plate.....	60601
B Trigger.....	60402H
C Trigger Pin.....	60404
D Trigger Bridle.....	60403
E Trigger Bridle Screw.....	60406
F Trigger Spring.....	60405