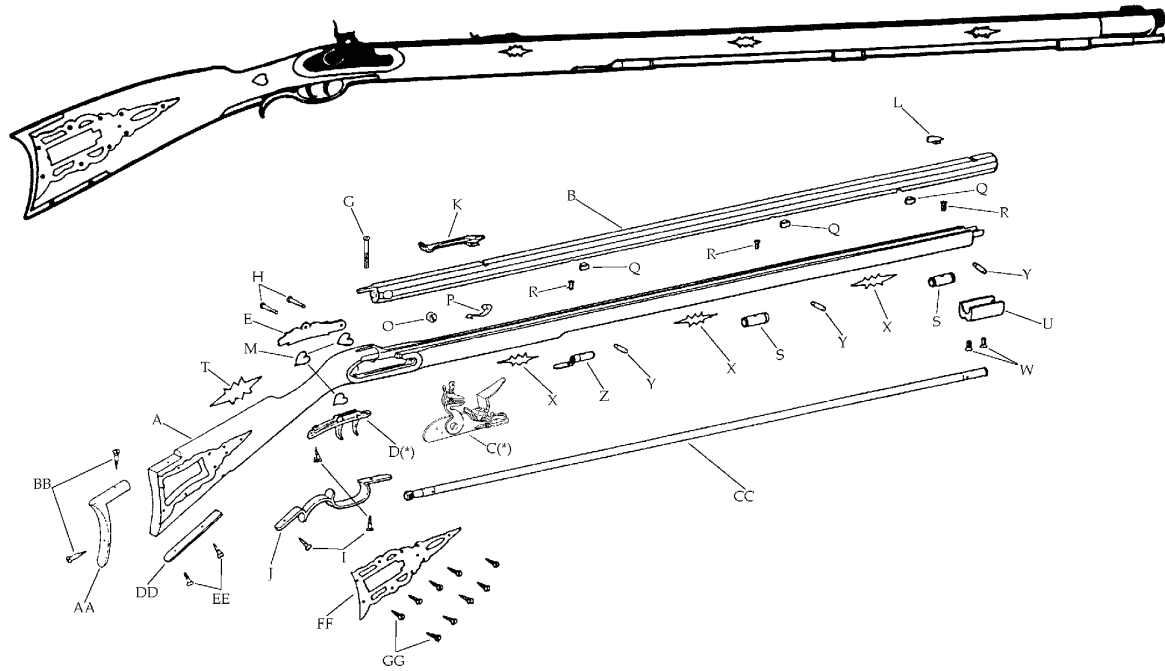


- Pennsylvania Rifle -  
**Models: R-2090**  
 .50 cal. flint. 1-66"  
 Blued Barrel

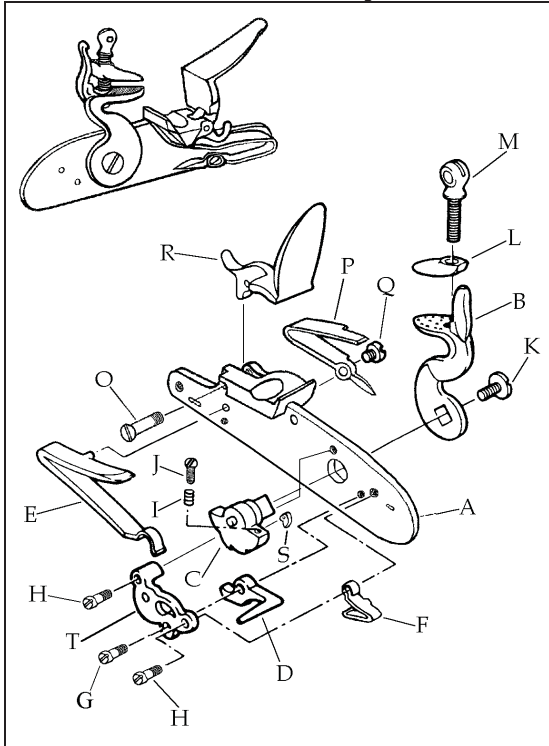


Description	Reference	Description	Reference
A Stock Walnut (Flintlock) (Finished).....	FCS20901	R Ramrod Thimble Screw (3).....	20839
B Barrel Assembly Blued (Finished) (Length 40 1/4") .50 cal. flint. (twist 1-66").....	FB209020	S Front & Middle Thimble (2).....	20613
C Flintlock.....	23503	T "Hunter's Star" Large (Brass).....	21037
D Trigger Assembly.....	20622R	U Nose Cap (Brass).....	21015
E Side Plate (Brass).....	21016	W Nose Cap Screw (2).....	20214
G Tang Screw.....	20609	X "Hunter's Star" Small (Brass) (6).....	21039
H Side Plate Screw (2).....	20820	Y Barrel Tenon Pin. (2).....	20218
I Trigger Guard Screw (3).....	20624	Z Rear Thimble (Brass).....	21014
J Trigger Guard (Brass).....	20623	AA Butt Plate (Brass).....	20226
K Rear Sight Assembly.....	20610	BB Butt Plate Screw (2).....	20627
L Front Sight.....	20611	CC Ramrod Assembly.....	21028
M Heart (3) (Brass).....	21038	DD Toe Plate (Brass).....	21031
O Touch Hole Insert.....	20534	EE Toe Plate Screw (2).....	20624
P Ramrod Retaining Spring.....	20621	FF Patchbox (Brass).....	21035
Q Barrel Tenon (3).....	20233	GG Patchbox Screw (9).....	400024

(\* ) Exploded view at the reverse.

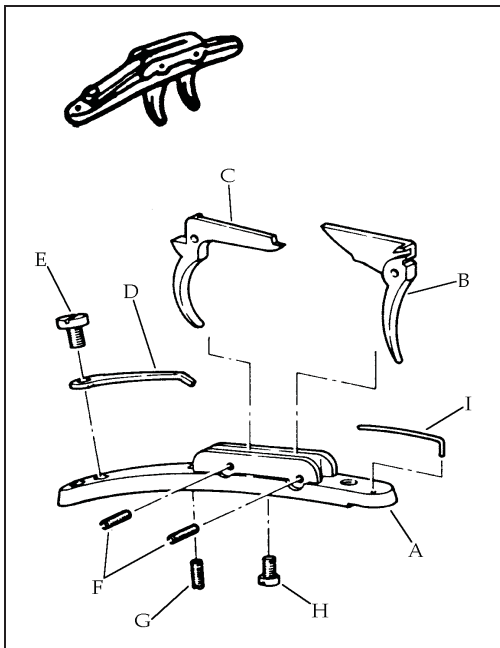
# TRADITIONS™

## Flintlock Assembly - Ref. 23503



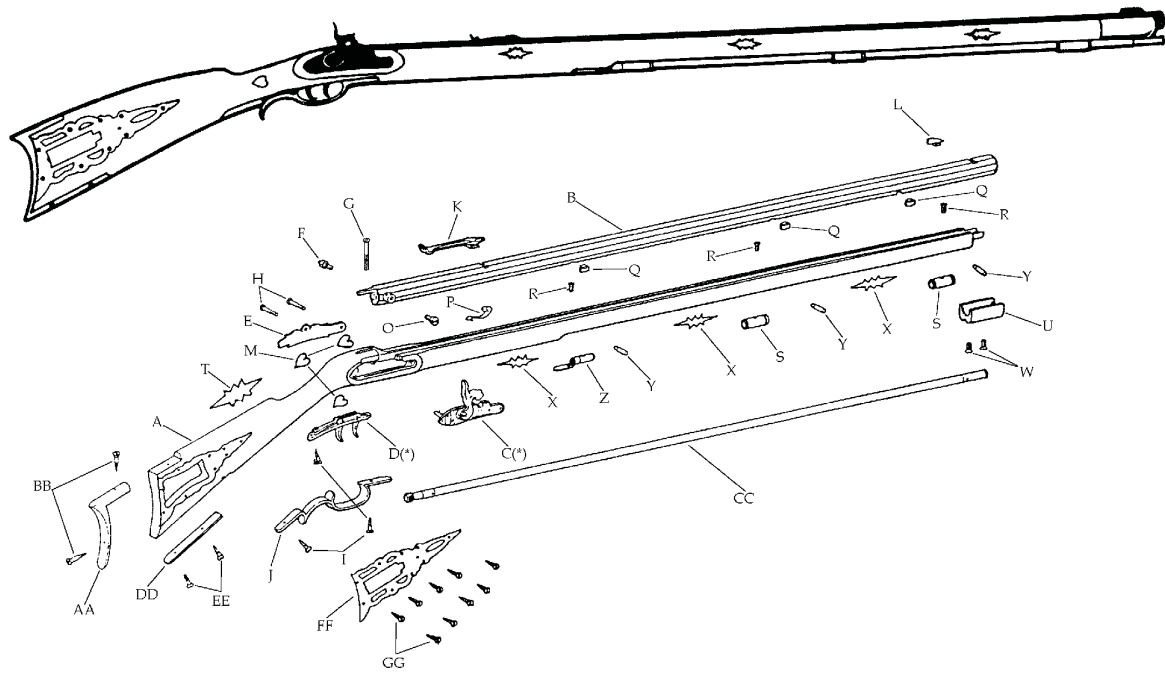
Description	Reference
A Lock Plate.....	70623
B Hammer.....	70624
C Tumbler.....	70603
D Sear.....	70504
E Mainspring.....	70505
F Sear Spring.....	70506
G Sear Screw.....	70514
H Sear Spring & Bridle Screw (2).....	70515
I Sear Adjusting Screw Spring.....	70520
J Sear Adjusting Screw.....	70518
K Hammer Screw.....	75512P
L Top Jaw.....	70309
M Top Jaw Screw.....	70513L
O Frizzen Screw.....	70627
P Frizzen Spring.....	70625
Q Frizzen Spring Screw.....	70628
R Frizzen.....	70626
S Fly.....	70611
T Bridle.....	70508

## Trigger Assembly - Ref. 20622R



Description	Reference
A Trigger Plate.....	60601R
B Front Trigger.....	60602
C Rear Trigger.....	60603
D Rear Spring.....	60604R
E Rear Spring Screw.....	60606
F Trigger Pin (2).....	60609
G Rear Trigger Adjustment Screw.....	60608
H Front Trigger Adjustment Screw.....	60607
I Front Spring.....	60605

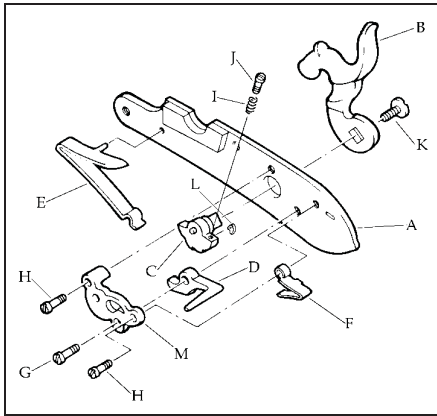
**- Pennsylvania Rifle -**  
**Models: R-2100**  
 .50 cal. perc. 1-66"  
 Blued Barrel



Description	Reference	Description	Reference
A Stock Walnut (Percussion) (Finished).....	FCS21001	Q Barrel Tenon (3).....	20233
B Barrel Assembly Blued (Finished) (Length 40 1/4") .50 cal. perc. (twist 1-66").....	FB210020	R Ramrod Thimble Screw (3).....	20839
C Percussion Lock.....	20603	S Front & Middle Thimble (2).....	20613
D Trigger Assembly.....	20622R	T "Hunter's Star" Large (Brass).....	21037
E Side Plate (Brass).....	21016	U Nose Cap (Brass).....	21015
F Nipple Percussion.....	20608	W Nose Cap Screw (2).....	20214
G Tang Screw.....	20609	X "Hunter's Star" Small (Brass) (6).....	21039
H Side Plate Screw (2).....	20820	Y Barrel Tenon Pin. (2).....	20218
I Trigger Guard Screw (3).....	20624	Z Rear Thimble (Brass).....	21014
J Trigger Guard (Brass).....	20623	AA Butt Plate (Brass).....	20226
K Rear Sight Assembly.....	20610	BB Butt Plate Screw (2).....	20627
L Front Sight.....	20611	CC Ramrod Assembly.....	21028
M Heart (3) (Brass).....	21038	DD Toe Plate (Brass).....	21031
O Bolster Screw.....	20605	EE Toe Plate Screw (2).....	20624
P Ramrod Retainig Spring.....	20621	FF Patchbox (Brass).....	21035
		GG Patchbox Screw (9).....	400024

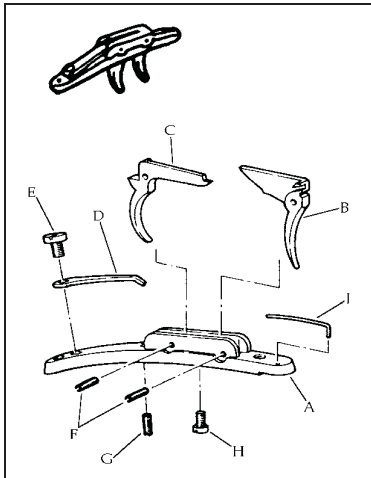
(\* ) Exploded view at the reverse.

Percussion Lock Assembly  
- Ref. 20603



Description	Reference
A Lock Plate.....	70501
B Hammer.....	70602
C Tumbler.....	70603
D Sear.....	70504
E Mainspring.....	70505
F Sear Spring.....	70506
G Sear Screw.....	70514
H Sear Spring & Bridle Screw (2).....	70515
I Sear Adjusting Screw Spring.....	70520
J Sear Adjusting Screw.....	70518
K Hammer Screw.....	75512P
L Fly.....	70611
M Bridle.....	70508

Trigger Assembly  
- Ref. 20622R



Description	Reference
A Trigger Plate.....	60601R
B Front Trigger.....	60602
C Rear Trigger.....	60603
D Rear Spring.....	60604R
E Rear Spring Screw.....	60606
F Trigger Pin (2).....	60609
G Rear Trigger Adjustment Screw.....	60608
H Front Trigger Adjustment Screw.....	60607
I Front Spring.....	60605