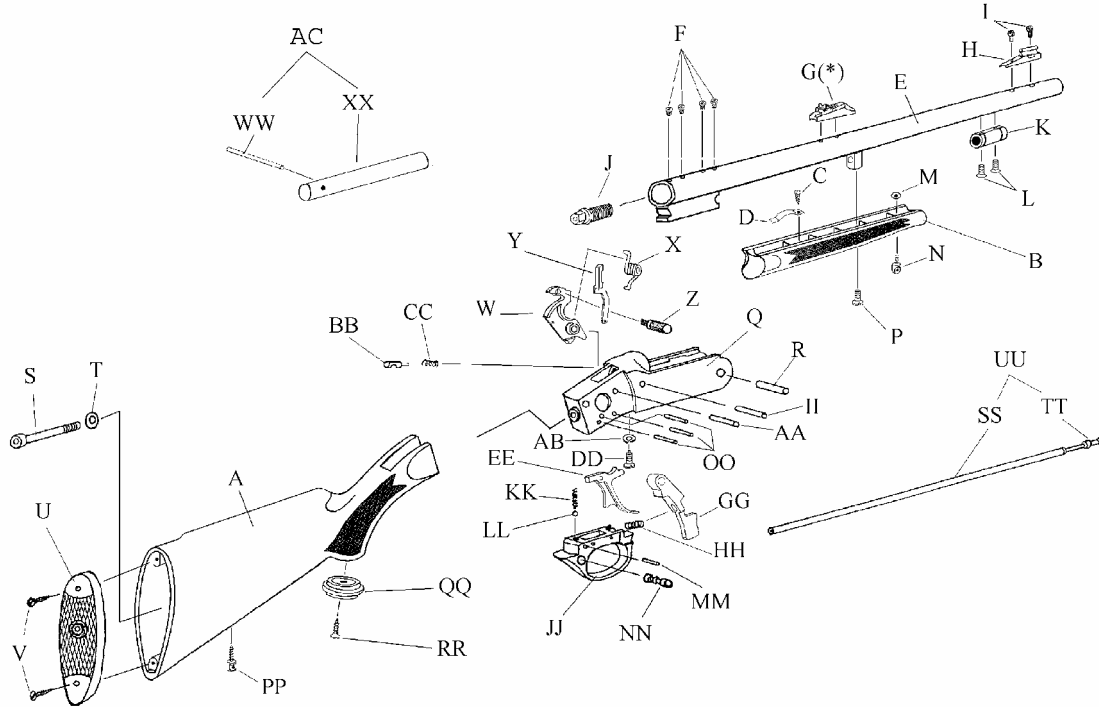


**Pursuit LT Break-Open Rifle - AW Composite -
Models: R-74003450**

.50 cal. Perc. 1-28"
Blued Barrel

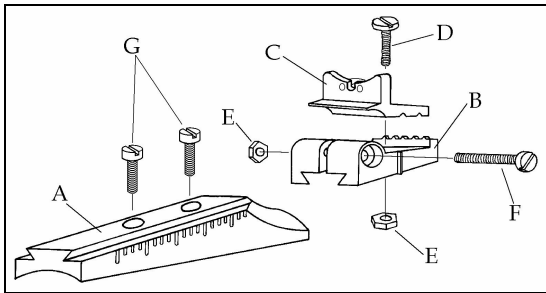


Description	Reference	Description	Reference
A Rear Stock (AW Composite) (Finished).....	FCS71001-2	Y Transfer Bar.....	71006
B Fore Stock (AW Composite) (Finished).....	FCS71001-1	Z Hammer Handle.....	710004
C Ramrod Retaining Spring Screw.....	21817	AA Hammer Pin.....	M710031
D Ramrod Retaining Spring.....	400030	BB Firing Pin.....	71007
E Barrel Assembly (Kit) (Length 26") .50 cal. perc. (twist 1-28").....	C-710034-B	CC Firing Pin Spring.....	M71011
Barrel Assembly (Finished) (Length 26") .50 cal. perc. Blued (twist 1-28").....	FB710034	DD Firing Pin Retaining Screw.....	M710021
F Plug Screw (4).....	26029	EE Trigger.....	71003
G Fiber Optic Rear Sight.....	50610-FO	GG Barrel Catch.....	71005
H Fiber Optic Front Sight.....	M50611-FO	HH Barrel Catch Spring.....	M71017
I Front Sight Mounting Screw (2).....	50620	II Barrel Catch Pin.....	M710023
J Hexagonal Breech Plug (SS).....	M7200099	JJ Trigger Guard.....	M710027
K Ramrod Thimble.....	400032-P	KK Trigger Guard Spring.....	M71015
L Ramrod Thimble Screw (2).....	400031	LL Ball.....	71000
M Sling Swivel Stud - Front nut.....	60122	MM Safety Pin.....	M710029
N Sling Swivel Stud - Front.....	37122	NN Safety.....	710032
P Forend Stock Screw.....	710035	OO Trigger Guard and Trigger Pin (3).....	710025
Q Frame (Alloy/Blued).....	74004	PP Sling Swivel Stud-Rear.....	37013
R Frame Pivot Pin.....	710024	QQ Pistol Grip Cap.....	50104
S Tang Screw.....	71016	RR Pistol grip Cap Screw.....	50105
T Tang Screw Washer.....	71019	SS Ramrod 26" (Aluminum).....	110030
U Buttpad.....	71026	TT Ramrod Tip .50 Cal (Aluminum).....	100028
V Buttpad Mounting Screw (2).....	20634	UU Ramrod Assembly.....	110011
W Hammer.....	71002	WW Wrench Handle.....	400033
X Hammer Spring.....	M71018	XX Hexagonal Wrench.....	720029
		AB Firing Pin Screw Washer.....	71020
		AC Hexagonal Breech Plug Wrench.....	72519

(* Exploded view at the reverse.

TRADITIONS Î

Fiber Optic Rear Sight - Ref. 50610-FO



	Description	Reference
A	Rear Sight Base (Round).....í	50613
B	Elevator Base.....í	50614
C	Rear Sighting Blade with Fiber Optic.....í	50615-FO
D	Windage Adjustment Locking Screw.....í	50617
E	Hex. Nut (2).....í	50618
F	Elevation Adjustment Locking Screw.....í .	50616
G	Rear Sight Mounting Screw (2)í í í í í í ..	50622

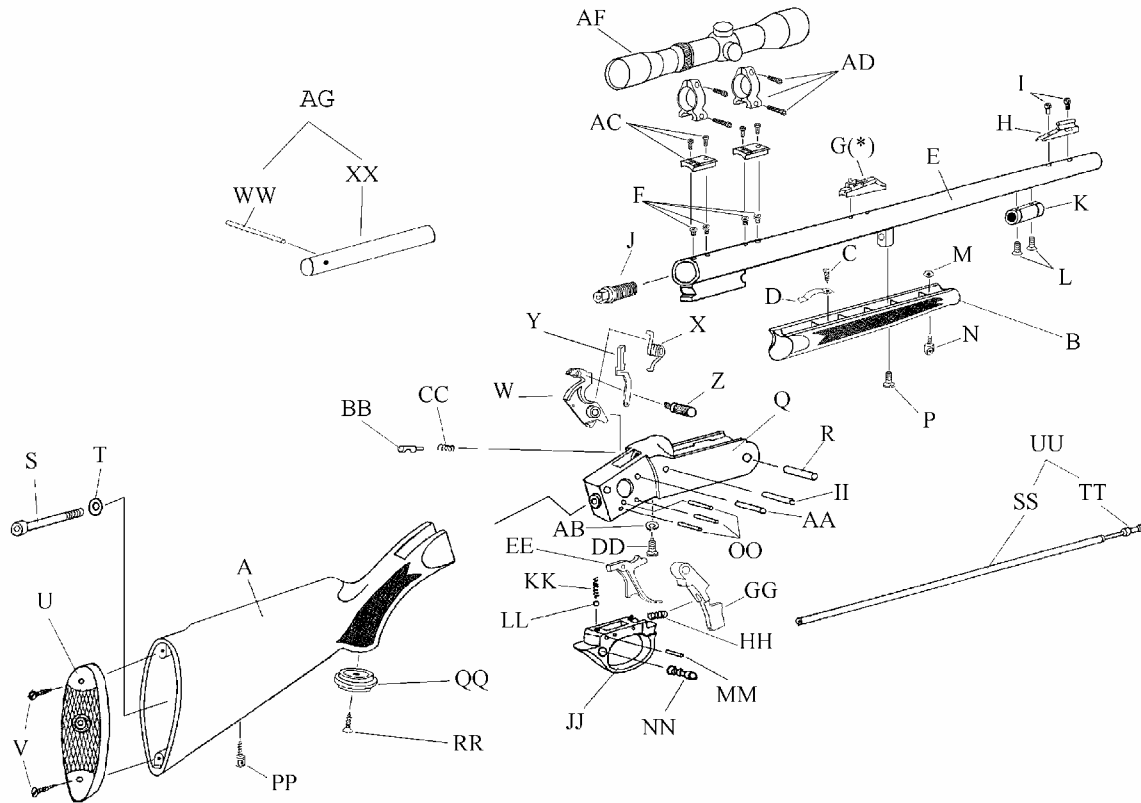
Pursuit Break-Open Rifle - AW Composite - Scope 4x32

Models:

R1-71003450

.50 cal. Perc. 1-28"

Blued Barrel

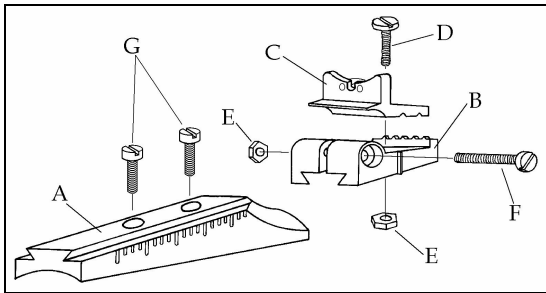


Description	Reference	Description	Reference
A Rear Stock (AW Composite)(Finished).....	FCS71001-2	AA Hammer Pin.....	M710031
B Fore Stock (AW Composite) (Finished).....	FCS71001-1	BB Firing Pin.....	71007
C Ramrod Retaining Spring.....	21817	CC Firing Pin Spring.....	M71011
D Ramrod Retaining Spring.....	400030	DD Firing Pin Retaining Screw.....	M710021
E Barrel Assembly (Kit) (Length 26")		EE Trigger.....	71003
.50 cal. perc. (twist 1-28").....	C-710034	GG Barrel Catch.....	71005
Barrel Assembly (Finished) (Length 26")		HH Barrel Catch Spring.....	M71017
.50 cal. perc. Blued (twist 1-28").....	FB710034	II Barrel Catch Pin.....	M710023
F Plug Screw (4).....	26029	JJ Trigger Guard.....	M710027
G Fiber Optic Rear Sight.....	50610-FO	KK Trigger Guard Spring.....	M71015
H Fiber Optic Front Sight.....	M50611-FO	LL Ball.....	71000
I Front Sight Mounting Screw (2).....	50620	MM Safety Pin.....	M710029
J Hexagonal Breech Plug (SS).....	M7200099	NN Safety.....	710032
K Ramrod Thimble.....	400032-P	OO Trigger Guard and Trigger Pin (3).....	710025
L Ramrod Thimble Screw (2).....	400031	PP Sling Swivel Stud-Rear.....	37013
M Sling Swivel Stud - Front nut.....	60122	QQ Pistol Grip Cap.....	50104
N Sling Swivel Stud - Front.....	37122	RR Pistol grip Cap Screw.....	50105
P Forend Stock Screw.....	710035	SS Ramrod 26" (Aluminum).....	110030
Q Frame (Blued).....	71004	TT Ramrod Tip .50 Cal.....	100028
R Frame Pivot Pin.....	710024	UU Ramrod Assembly.....	110011
S Tang Screw.....	71016	WW Wrench Handle.....	400033
T Tang Screw Washer.....	71019	XX Hexagonal Wrench.....	720029
U Buttpad.....	71026	AB Firing Pin Screw Washer.....	71020
V Buttpad Mounting Screw (2).....	20634	AC Scope Bases & Mounting Screws (Blued).....	026-A1320
W Hammer.....	71002	AD Scope Rings & Mounting Screws (Blued).....	026-A1365
X Hammer Spring.....	M71018	AF Scope 4x32 (Blackened).....	026-1160
Y Transfer Bar.....	71006	AG Hexagonal Breech Plug Wrench.....	72519
Z Hammer Handle.....	710004		

(*) Exploded view at the reverse

TRADITIONS Î

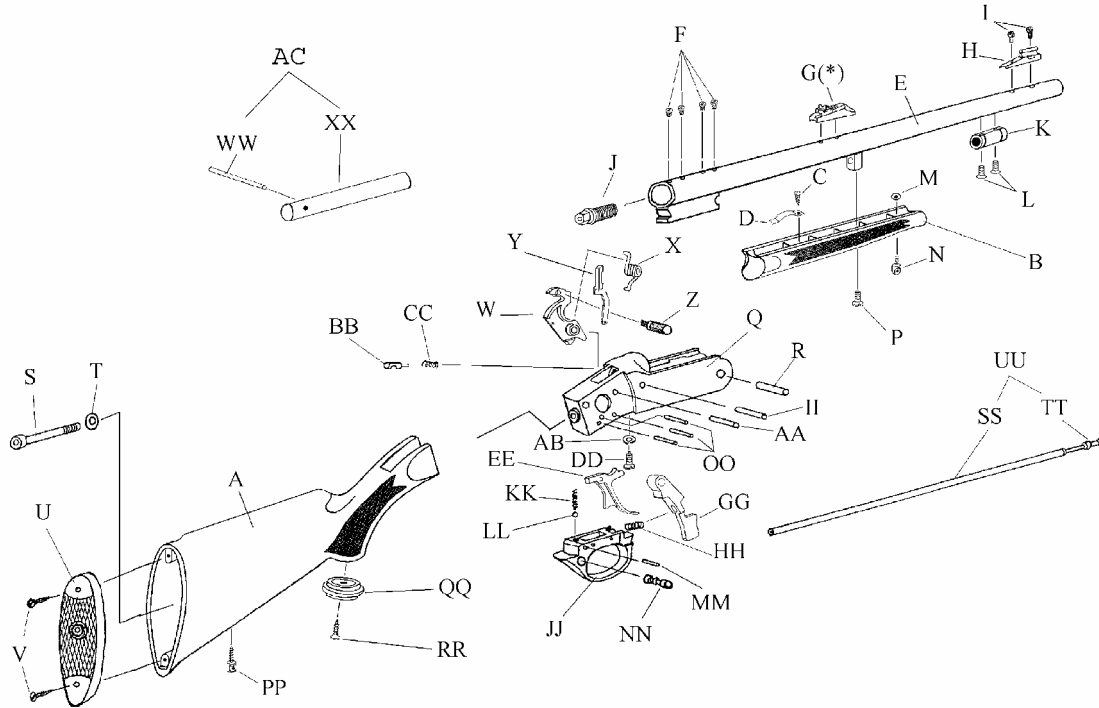
Fiber Optic Rear Sight - Ref. 50610-FO



	Description	Reference
A	Rear Sight Base (Round).....í	50613
B	Elevator Base.....í	50614
C	Rear Sighting Blade with Fiber Optic.....í	50615-FO
D	Windage Adjustment Locking Screw.....í	50617
E	Hex. Nut (2).....í	50618
F	Elevation Adjustment Locking Screw.....í .	50616
G	Rear Sight Mounting Screw (2)í í í í í í ..	50622

**Pursuit LT Youth Break-Open Rifle - AW Composite -
Models: RY-74003450**

.50 cal. Perc. 1-28"
Blued Barrel

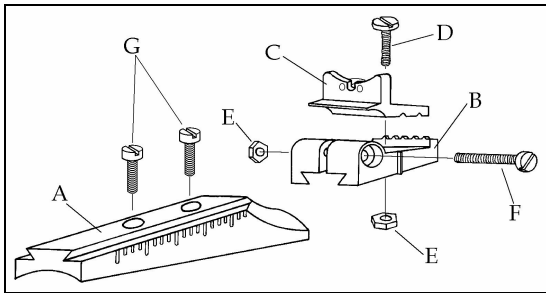


Description	Reference	Description	Reference
A Rear Stock (AW Composite)(Finished).....	FCS73001-2	Y Transfer Bar.....	71006
B Fore Stock (AW Composite) (Finished).....	FCS71001-1	Z Hammer Handle.....	710004
C Ramrod Retaining Spring Screw.....	21817	AA Hammer Pin.....	M710031
D Ramrod Retaining Spring.....	400030	BB Firing Pin.....	71007
E Barrel Assembly (Kit) (Length 24") .50 cal. perc. (twist 1-28").....	C-740034	CC Firing Pin Spring.....	M71011
Barrel Assembly (Finished) (Length 24") .50 cal. perc. Blued (twist 1-28").....	FB740034	DD Firing Pin Retaining Screw.....	M710021
F Plug Screw (4).....	26029	EE Trigger.....	71003
G Fiber Optic Rear Sight.....	50610-FO	GG Barrel Catch.....	71005
H Fiber Optic Front Sight.....	M50611-FO	HH Barrel Catch Spring.....	M71017
I Front Sight Mounting Screw (2).....	50620	II Barrel Catch Pin.....	M710023
J Hexagonal Breech Plug (SS).....	M7200099	JJ Trigger Guard.....	M710027
K Ramrod Thimble.....	400032-P	KK Trigger Guard Spring.....	M71015
L Ramrod Thimble Screw (2).....	400031	LL Ball.....	71000
M Sling Swivel Stud – Front nut.....	60122	MM Safety Pin.....	M710029
N Sling Swivel Stud – Front.....	37122	NN Safety.....	710032
P Forend Stock Screw.....	710035	OO Trigger Guard and Trigger Pin (3).....	710025
Q Frame (Alloy/Blued).....	74004	PP Sling Swivel Stud-Rear.....	37013
R Frame Pivot Pin.....	710024	QQ Pistol Grip Cap.....	50104
S Tang Screw.....	71016	RR Pistol grip Cap Screw.....	50105
T Tang Screw Washer.....	71019	SS Ramrod 24" (Aluminum).....	120030
U Buttpad.....	60126	TT Ramrod Tip .50 Cal (Aluminum).....	100028
V Buttpad Mounting Screw (2).....	20634	UU Ramrod Assembly.....	120011
W Hammer.....	71002	WW Wrench Handle.....	400033
X Hammer Spring.....	M71018	XX Hexagonal Wrench.....	720029
		AB Firing Pin Screw Washer.....	71020
		AC Hexagonal Breech Plug Wrench.....	72519

(*) Exploded view at the reverse.

TRADITIONS Î

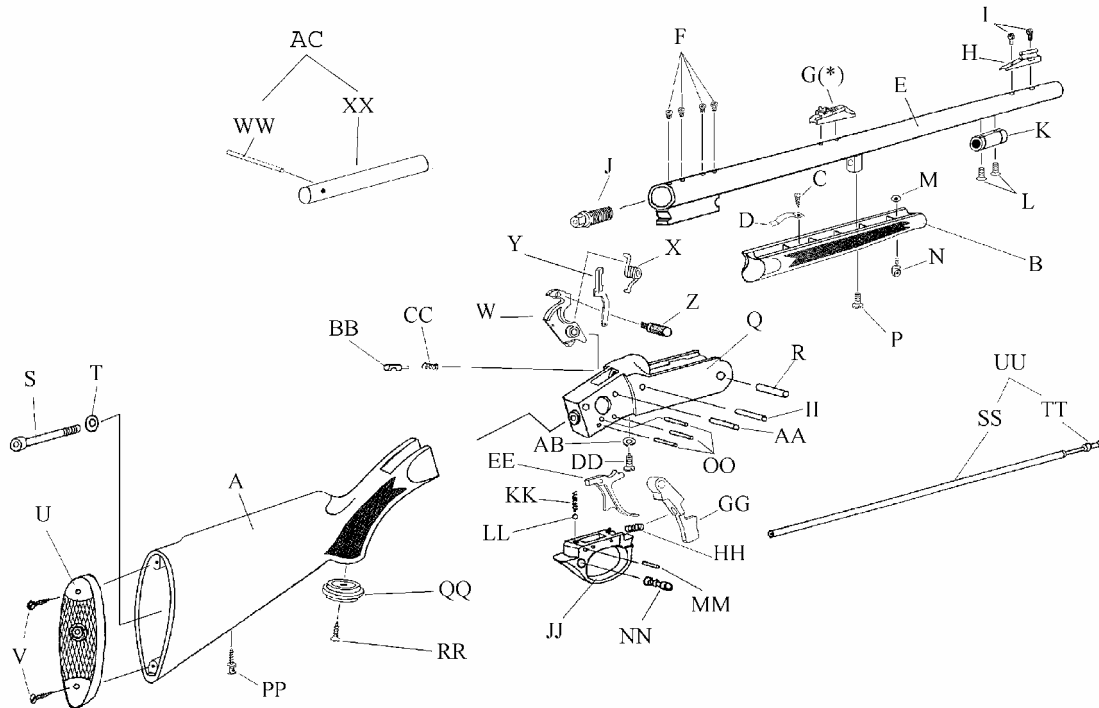
Fiber Optic Rear Sight - Ref. 50610-FO



	Description	Reference
A	Rear Sight Base (Round).....í	50613
B	Elevator Base.....í	50614
C	Rear Sighting Blade with Fiber Optic.....í	50615-FO
D	Windage Adjustment Locking Screw.....í	50617
E	Hex. Nut (2).....í	50618
F	Elevation Adjustment Locking Screw.....í .	50616
G	Rear Sight Mounting Screw (2)í í í í í í ..	50622

**Pursuit LT Break-Open Rifle - AW / New Break Up -
Models: R-74003456**

.50 cal. Perc. 1-28"
Blued Barrel

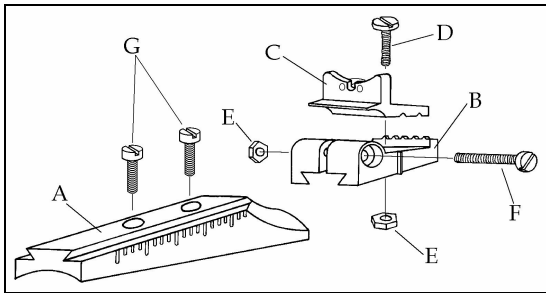


Description	Reference	Description	Reference
A Rear Stock (New Break Up) (Finished).....	FCS71006-2	Y Transfer Bar.....	71006
B Fore Stock (New Break Up) (Finished).....	FCS71006-1	Z Hammer Handle.....	710004
C Ramrod Retaining Spring Screw.....	21817	AA Hammer Pin.....	M710031
D Ramrod Retaining Spring.....	400030	BB Firing Pin.....	71007
E Barrel Assembly (Kit) (Length 26") .50 cal. perc. (twist 1-28").....	C-710034-B	CC Firing Pin Spring.....	M71011
Barrel Assembly (Finished) (Length 26") .50 cal. perc. Blued (twist 1-28").....	FB710034	DD Firing Pin Retaining Screw.....	M710021
F Plug Screw (4).....	26029	EE Trigger.....	71003
G Fiber Optic Rear Sight.....	50610-FO	GG Barrel Catch.....	71005
H Fiber Optic Front Sight.....	M50611-FO	HH Barrel Catch Spring.....	M71017
I Front Sight Mounting Screw (2).....	50620	II Barrel Catch Pin.....	M710023
J Hexagonal Breech Plug (SS).....	M7200099	JJ Trigger Guard.....	M710027
K Ramrod Thimble.....	400032-P	KK Trigger Guard Spring.....	M71015
L Ramrod Thimble Screw (2).....	400031	LL Ball.....	71000
M Sling Swivel Stud - Front nut.....	60122	MM Safety Pin.....	M710029
N Sling Swivel Stud - Front.....	37122	NN Safety.....	710032
P Forend Stock Screw.....	710035	OO Trigger Guard and Trigger Pin (3).....	710025
Q Frame (Alloy/Blued).....	74004	PP Sling Swivel Stud-Rear.....	37013
R Frame Pivot Pin.....	710024	QQ Pistol Grip Cap.....	50104
S Tang Screw.....	71016	RR Pistol grip Cap Screw.....	50105
T Tang Screw Washer.....	71019	SS Ramrod 26" (Aluminum).....	110030
U Buttpad.....	71026	TT Ramrod Tip .50 Cal (Aluminum).....	100028
V Buttpad Mounting Screw (2).....	20634	UU Ramrod Assembly.....	110011
W Hammer.....	71002	WW Wrench Handle.....	400033
X Hammer Spring.....	M71018	XX Hexagonal Wrench.....	720029
		AB Firing Pin Screw Washer.....	71020
		AC Hexagonal Breech Plug Wrench.....	72519

(*) Exploded view at the reverse.

TRADITIONS Î

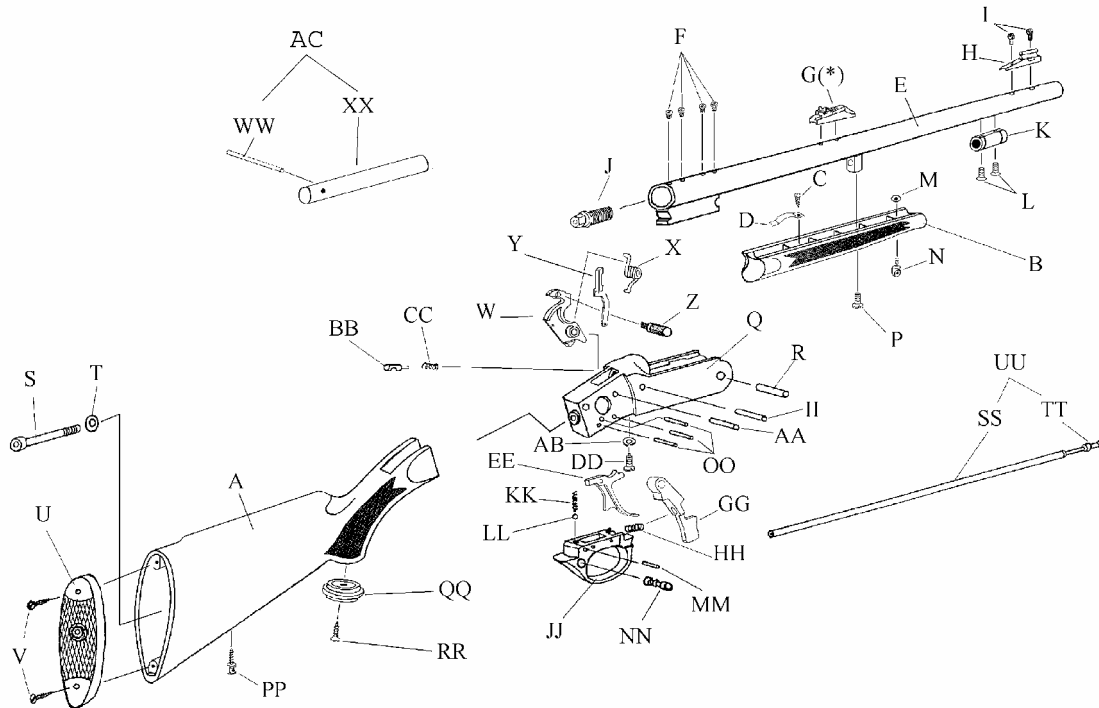
Fiber Optic Rear Sight - Ref. 50610-FO



	Description	Reference
A	Rear Sight Base (Round).....í	50613
B	Elevator Base.....í	50614
C	Rear Sighting Blade with Fiber Optic.....í	50615-FO
D	Windage Adjustment Locking Screw.....í	50617
E	Hex. Nut (2).....í	50618
F	Elevation Adjustment Locking Screw.....í .	50616
G	Rear Sight Mounting Screw (2)í í í í í í ..	50622

**Pursuit LT Break-Open Rifle - AW Composite -
Models: R-74103450**

.50 cal. Perc. 1-28"
Nickel Barrel

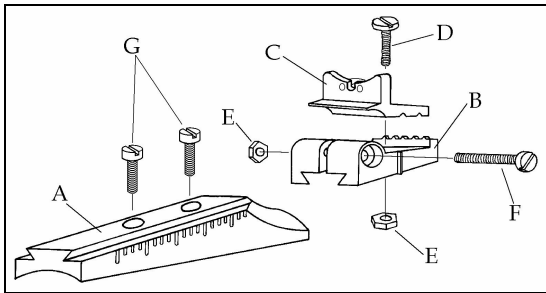


Description	Reference	Description	Reference
A Rear Stock (AW Composite) (Finished).....	FCS71001-2	Y Transfer Bar.....	71006
B Fore Stock (AW Composite) (Finished).....	FCS71001-1	Z Hammer Handle.....	710004
C Ramrod Retaining Spring Screw.....	21817	AA Hammer Pin.....	M710031
D Ramrod Retaining Spring.....	400030	BB Firing Pin.....	71007
E Barrel Assembly (Kit) (Length 26") .50 cal. perc. (twist 1-28").....	C-710034-N	CC Firing Pin Spring.....	M71011
Barrel Assembly (Finished) (Length 26") .50 cal. perc. Nickel (twist 1-28").....	FB711034	DD Firing Pin Retaining Screw.....	M710021
F Plug Screw (4).....	26029	EE Trigger.....	71003
G Fiber Optic Rear Sight.....	50610-FO	GG Barrel Catch.....	71005
H Fiber Optic Front Sight.....	M50611-FO	HH Barrel Catch Spring.....	M71017
I Front Sight Mounting Screw (2).....	50620	II Barrel Catch Pin.....	M710023
J Hexagonal Breech Plug (SS).....	M7200099	JJ Trigger Guard.....	M710027
K Ramrod Thimble.....	400032-P	KK Trigger Guard Spring.....	M71015
L Ramrod Thimble Screw (2).....	400031	LL Ball.....	71000
M Sling Swivel Stud - Front nut.....	60122	MM Safety Pin.....	M710029
N Sling Swivel Stud - Front.....	37122	NN Safety.....	710032
P Forend Stock Screw.....	710035	OO Trigger Guard and Trigger Pin (3).....	710025
Q Frame (Alloy/Nickel).....	74104	PP Sling Swivel Stud-Rear.....	37013
R Frame Pivot Pin.....	710024	QQ Pistol Grip Cap.....	50104
S Tang Screw.....	71016	RR Pistol grip Cap Screw.....	50105
T Tang Screw Washer.....	71019	SS Ramrod 26" (Aluminum).....	110030
U Buttpad.....	71026	TT Ramrod Tip .50 Cal (Aluminum).....	100028
V Buttpad Mounting Screw (2).....	20634	UU Ramrod Assembly.....	110011
W Hammer.....	71002	WW Wrench Handle.....	400033
X Hammer Spring.....	M71018	XX Hexagonal Wrench.....	720029
		AB Firing Pin Screw Washer.....	71020
		AC Hexagonal Breech Plug Wrench.....	72519

(*) Exploded view at the reverse.

TRADITIONS Î

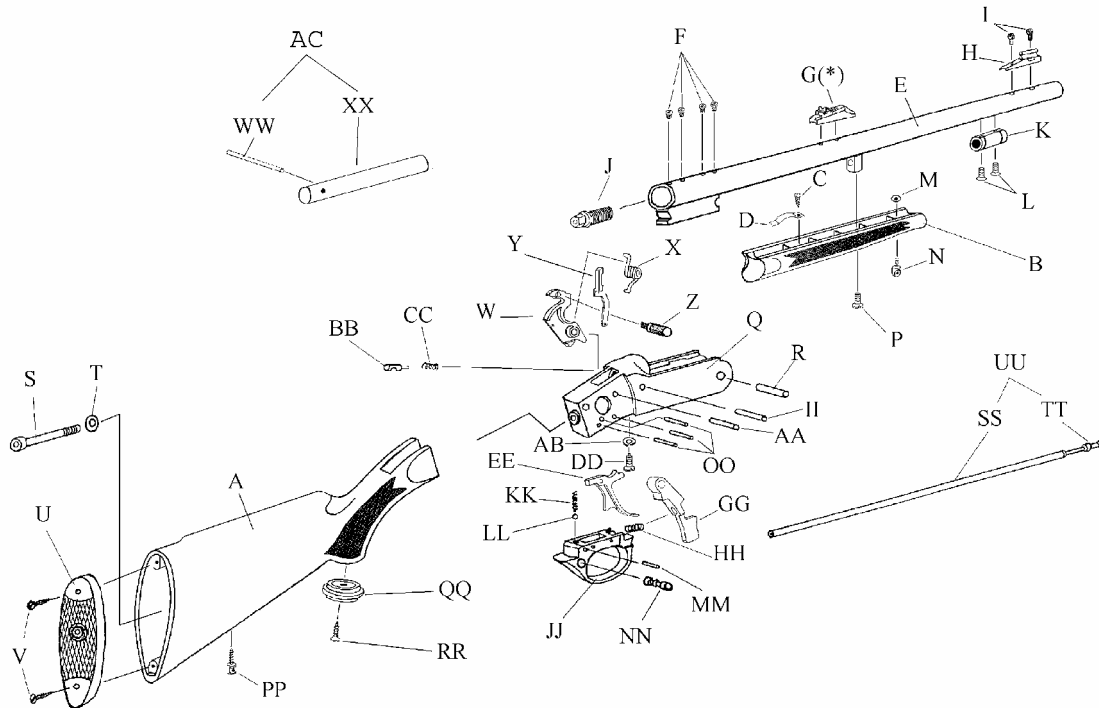
Fiber Optic Rear Sight - Ref. 50610-FO



	Description	Reference
A	Rear Sight Base (Round).....í	50613
B	Elevator Base.....í	50614
C	Rear Sighting Blade with Fiber Optic.....í	50615-FO
D	Windage Adjustment Locking Screw.....í	50617
E	Hex. Nut (2).....í	50618
F	Elevation Adjustment Locking Screw.....í .	50616
G	Rear Sight Mounting Screw (2)í í í í í í ..	50622

Pursuit LT Break-Open Rifle - AW / Hardwoods Snow Camo -
Models: **R-74103451**

.50 cal. Perc. 1-28"
Nickel Barrel

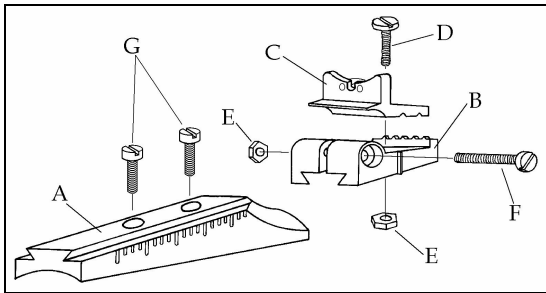


Description	Reference	Description	Reference
A Rear Stock (Hardwoods Snow) (Finished).....	FCS710051-2	Y Transfer Bar.....	71006
B Fore Stock (Hardwoods Snow) (Finished).....	FCS710051-1	Z Hammer Handle.....	710004
C Ramrod Retaining Spring Screw.....	21817	AA Hammer Pin.....	M710031
D Ramrod Retaining Spring.....	400030	BB Firing Pin.....	71007
E Barrel Assembly (Kit) (Length 26") .50 cal. perc. (twist 1-28").....	C-710034-N	CC Firing Pin Spring.....	M71011
Barrel Assembly (Finished) (Length 26") .50 cal. perc. Nickel (twist 1-28").....	FB711034	DD Firing Pin Retaining Screw.....	M710021
F Plug Screw (4).....	26029	EE Trigger.....	71003
G Fiber Optic Rear Sight.....	50610-FO	GG Barrel Catch.....	71005
H Fiber Optic Front Sight.....	M50611-FO	HH Barrel Catch Spring.....	M71017
I Front Sight Mounting Screw (2).....	50620	II Barrel Catch Pin.....	M710023
J Hexagonal Breech Plug (SS).....	M7200099	JJ Trigger Guard.....	M710027
K Ramrod Thimble.....	400032-P	KK Trigger Guard Spring.....	M71015
L Ramrod Thimble Screw (2).....	400031	LL Ball.....	71000
M Sling Swivel Stud - Front nut.....	60122	MM Safety Pin.....	M710029
N Sling Swivel Stud - Front.....	37122	NN Safety.....	710032
P Forend Stock Screw.....	710035	OO Trigger Guard and Trigger Pin (3).....	710025
Q Frame (Alloy/Nickel).....	74104	PP Sling Swivel Stud-Rear.....	37013
R Frame Pivot Pin.....	710024	QQ Pistol Grip Cap.....	50104
S Tang Screw.....	71016	RR Pistol grip Cap Screw.....	50105
T Tang Screw Washer.....	71019	SS Ramrod 26" (Aluminum).....	110030
U Buttpad.....	71026	TT Ramrod Tip .50 Cal (Aluminum).....	100028
V Buttpad Mounting Screw (2).....	20634	UU Ramrod Assembly.....	110011
W Hammer.....	71002	WW Wrench Handle.....	400033
X Hammer Spring.....	M71018	XX Hexagonal Wrench.....	720029
		AB Firing Pin Screw Washer.....	71020
		AC Hexagonal Breech Plug Wrench.....	72519

(*) Exploded view at the reverse.

TRADITIONS Î

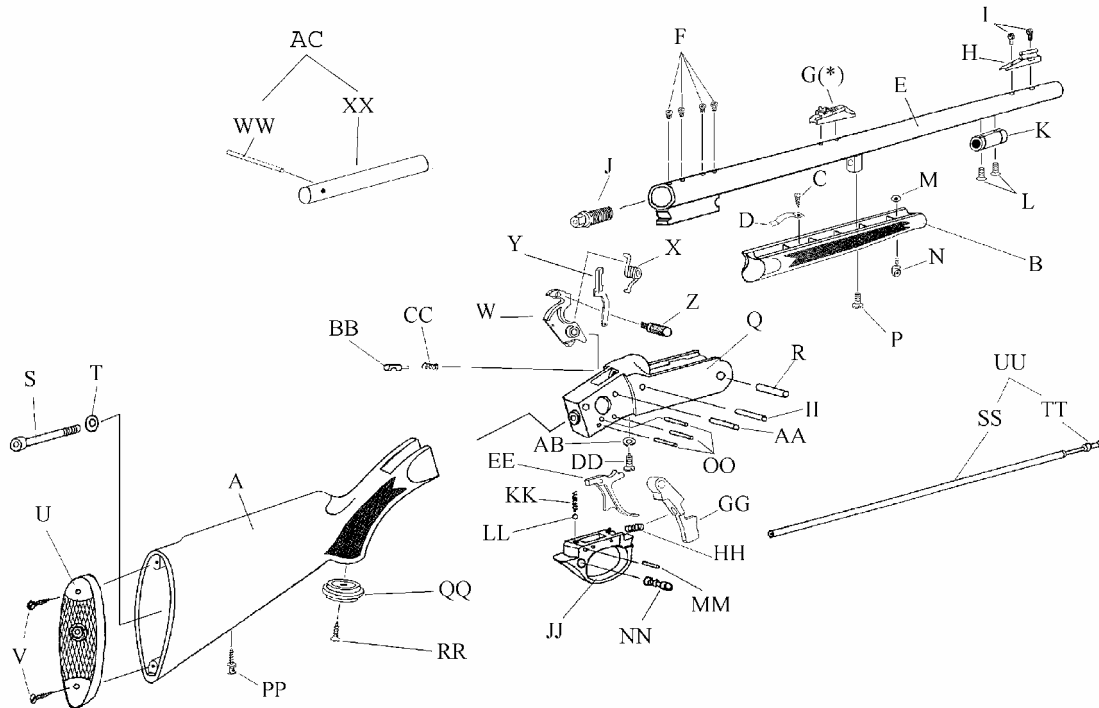
Fiber Optic Rear Sight - Ref. 50610-FO



	Description	Reference
A	Rear Sight Base (Round).....í	50613
B	Elevator Base.....í	50614
C	Rear Sighting Blade with Fiber Optic.....í	50615-FO
D	Windage Adjustment Locking Screw.....í	50617
E	Hex. Nut (2).....í	50618
F	Elevation Adjustment Locking Screw.....í .	50616
G	Rear Sight Mounting Screw (2)í í í í í í ..	50622

Pursuit LT Break-Open Rifle - AW / New Break Up -
Models: **R-74103456**

.50 cal. Perc. 1-28"
Nickel Barrel

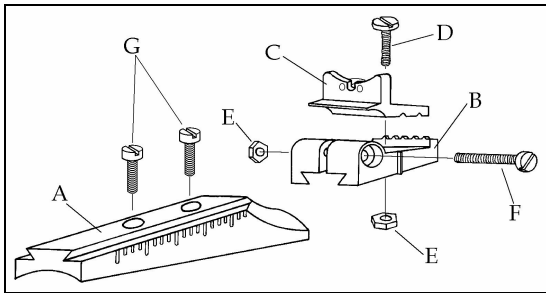


Description	Reference	Description	Reference
A Rear Stock (New Break Up) (Finished).....	FCS71006-2	Y Transfer Bar.....	71006
B Fore Stock (New Break Up) (Finished).....	FCS71006-1	Z Hammer Handle.....	710004
C Ramrod Retaining Spring Screw.....	21817	AA Hammer Pin.....	M710031
D Ramrod Retaining Spring.....	400030	BB Firing Pin.....	71007
E Barrel Assembly (Kit) (Length 26") .50 cal. perc. (twist 1-28").....	C-710034-N	CC Firing Pin Spring.....	M71011
Barrel Assembly (Finished) (Length 26") .50 cal. perc. Nickel (twist 1-28").....	FB711034	DD Firing Pin Retaining Screw.....	M710021
F Plug Screw (4).....	26029	EE Trigger.....	71003
G Fiber Optic Rear Sight.....	50610-FO	GG Barrel Catch.....	71005
H Fiber Optic Front Sight.....	M50611-FO	HH Barrel Catch Spring.....	M71017
I Front Sight Mounting Screw (2).....	50620	II Barrel Catch Pin.....	M710023
J Hexagonal Breech Plug (SS).....	M7200099	JJ Trigger Guard.....	M710027
K Ramrod Thimble.....	400032-P	KK Trigger Guard Spring.....	M71015
L Ramrod Thimble Screw (2).....	400031	LL Ball.....	71000
M Sling Swivel Stud - Front nut.....	60122	MM Safety Pin.....	M710029
N Sling Swivel Stud - Front.....	37122	NN Safety.....	710032
P Forend Stock Screw.....	710035	OO Trigger Guard and Trigger Pin (3).....	710025
Q Frame (Alloy/Nickel).....	74104	PP Sling Swivel Stud-Rear.....	37013
R Frame Pivot Pin.....	710024	QQ Pistol Grip Cap.....	50104
S Tang Screw.....	71016	RR Pistol grip Cap Screw.....	50105
T Tang Screw Washer.....	71019	SS Ramrod 26" (Aluminum).....	110030
U Buttpad.....	71026	TT Ramrod Tip .50 Cal (Aluminum).....	100028
V Buttpad Mounting Screw (2).....	20634	UU Ramrod Assembly.....	110011
W Hammer.....	71002	WW Wrench Handle.....	400033
X Hammer Spring.....	M71018	XX Hexagonal Wrench.....	720029
		AB Firing Pin Screw Washer.....	71020
		AC Hexagonal Breech Plug Wrench.....	72519

(*) Exploded view at the reverse.

TRADITIONS Î

Fiber Optic Rear Sight - Ref. 50610-FO



	Description	Reference
A	Rear Sight Base (Round).....í	50613
B	Elevator Base.....í	50614
C	Rear Sighting Blade with Fiber Optic.....í	50615-FO
D	Windage Adjustment Locking Screw.....í	50617
E	Hex. Nut (2).....í	50618
F	Elevation Adjustment Locking Screw.....í .	50616
G	Rear Sight Mounting Screw (2)í í í í í í ..	50622

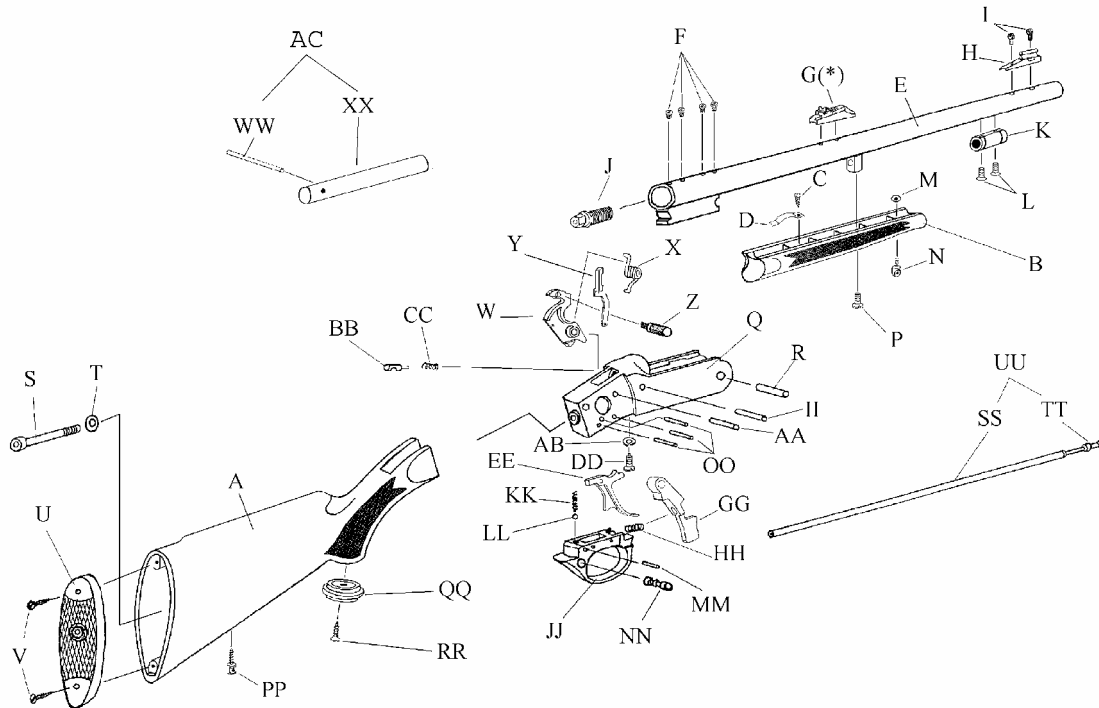
Pursuit LT Break-Open Rifle – AW/New Break-Up

Models:

R-74403456

.50 cal. Perc. 1-28"

New Break UP Barrel

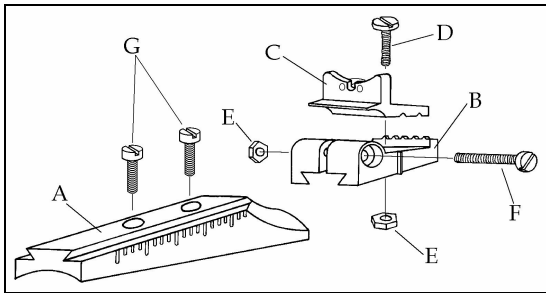


Description	Reference	Description	Reference
A Rear Stock (New Break Up Camo)(Finished).....	FCS71006-2	Y Transfer Bar.....	71006
B Fore Stock (New Break Up Camo) (Finished).....	FCS71006-1	Z Hammer Handle.....	710004
C Ramrod Retaining Spring Screw.....	21817	AA Hammer Pin.....	M710031
D Ramrod Retaining Spring.....	400030	BB Firing Pin.....	71007
E Barrel Assembly (Kit) (Length 26") .50 cal. perc. (twist 1-28").....	C-710034-6	CC Firing Pin Spring.....	M71011
Barrel Assembly (Finished) (Length 26") .50 cal. perc. New Break Up (twist 1-28").....	FB7100346	DD Firing Pin Retaining Screw.....	M710021
F Plug Screw (4).....	26029	EE Trigger.....	71003
G Fiber Optic Rear Sight.....	50610-FO	GG Barrel Catch.....	71005
H Fiber Optic Front Sight.....	M50611-FO	HH Barrel Catch Spring.....	M71017
I Front Sight Mounting Screw (2).....	50620	II Barrel Catch Pin.....	M710023
J Hexagonal Breech Plug (SS).....	M7200099	JJ Trigger Guard.....	M710027
K Ramrod Thimble.....	400032-P	KK Trigger Guard Spring.....	M71015
L Ramrod Thimble Screw (2).....	400031	LL Ball.....	71000
M Sling Swivel Stud – Front nut.....	60122	MM Safety Pin.....	M710029
N Sling Swivel Stud – Front.....	37122	NN Safety.....	710032
P Forend Stock Screw.....	710035	OO Trigger Guard and Trigger Pin (3).....	710025
Q Frame (Alloy/Blued).....	74004	PP Sling Swivel Stud-Rear.....	37013
R Frame Pivot Pin.....	710024	QQ Pistol Grip Cap.....	50104
S Tang Screw.....	71016	RR Pistol grip Cap Screw.....	50105
T Tang Screw Washer.....	71019	SS Ramrod 26" (Aluminum).....	110030
U Buttpad.....	71026	TT Ramrod Tip .50 Cal (Aluminum).....	100028
V Buttpad Mounting Screw (2).....	20634	UU Ramrod Assembly.....	110011
W Hammer.....	71002	WW Wrench Handle.....	400033
X Hammer Spring.....	M71018	XX Hexagonal Wrench.....	720029
		AB Firing Pin Screw Washer.....	71020
		AC Hexagonal Breech Plug Wrench.....	72519

(*) Exploded view at the reverse.

TRADITIONS Î

Fiber Optic Rear Sight - Ref. 50610-FO



	Description	Reference
A	Rear Sight Base (Round).....í	50613
B	Elevator Base.....í	50614
C	Rear Sighting Blade with Fiber Optic.....í	50615-FO
D	Windage Adjustment Locking Screw.....í	50617
E	Hex. Nut (2).....í	50618
F	Elevation Adjustment Locking Screw.....í .	50616
G	Rear Sight Mounting Screw (2)í í í í í í ..	50622