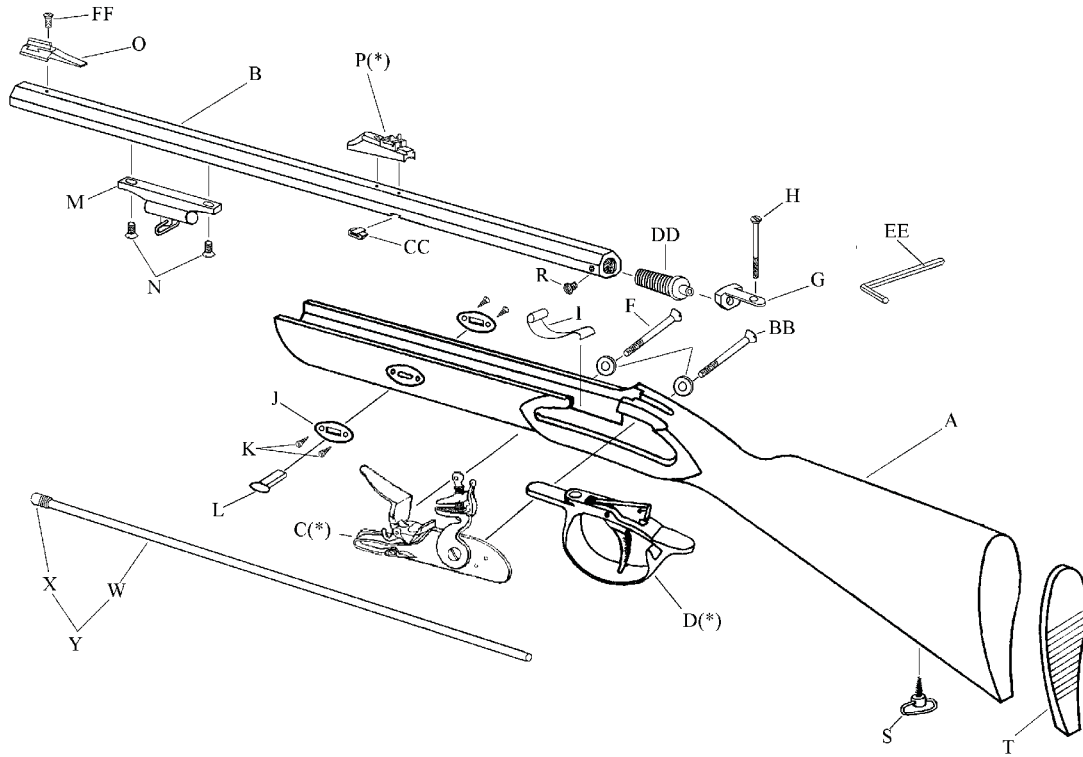


**PA Pellet Rifle - Left Handed - Wood Stock -
Models: R-3790801
.50 cal. Flint. 1-48"
Blued Barrel**

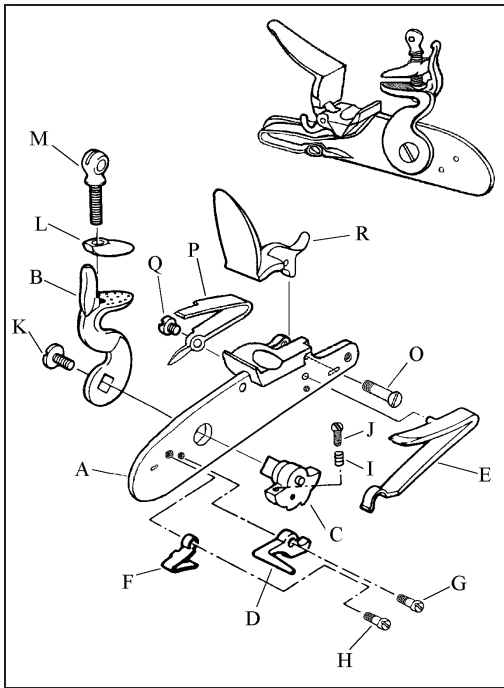


Description	Reference	Description	Reference
A Stock (Beech) (kit).....	K-37002	M Ramrod Thimble/Rib/Swivel.....	36013
Stock Beech (Flintlock) (Finished).....	FCS37002	N Thimble/Rib Screw (2).....	36014
B Barrel Assembly (Kit) (Length 26")		O Fiber Sight Front Sight	M36611-FO
.50 cal. flint. (twist 1-48").....	C-3790801	P Fiber Sight Rear Sight	36830-FO
Barrel Assembly Blued (Finished) (Length 26")		R Touch Hole Insert	M38534
.50 cal. flint. (twist 1-48").....	FB3790801	S Stock Sling Swivel.....	25046
C Flintlock.....	46903	T Rubber Buttpad.....	25026
D Trigger/Trigger Guard Assembly (Blackened).....	36022	W Ramrod (Aluminum).....	610030
E Lock Plate Washer (2).....	22819	X Ramrod Tip .50 cal.....	600028
F Lock Plate Screw (Front).....	20620	Y Ramrod Assembly.....	610011
G Barrel Tang.....	38006	BB Lock Plate Screw (Rear).....	20221
H Tang Screw.....	20841	CC Barrel Tenon.....	20533
I Ramrod Retaining Spring.....	20621	DD Breech Plug.....	M381007
J Stock Plate (2).....	36016	EE Allen Wrench.....	M38005
K Stock Plate Screw (4).....	36017	FF Front Sight Mounting Screw.....	400041
L Barrel Wedge.....	22218-3		

(*) Exploded view at the reverse.

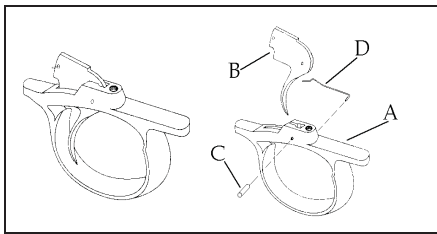
TRADITIONS™

Flintlock Assembly - Ref. 46903



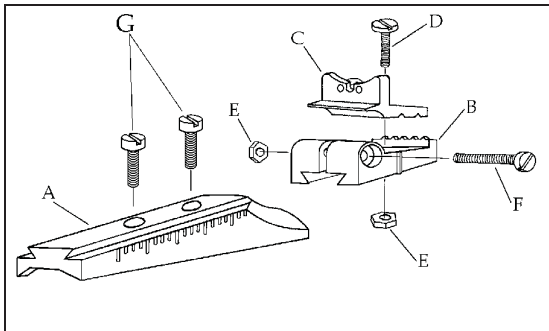
Description	Reference
A Lock Plate.....	70620
B Hammer.....	70621
C Tumbler.....	70503-L
D Sear.....	70504-L
E Mainspring.....	70505-L
F Sear Spring.....	70506-L
G Sear Screw.....	70514
H Sear Spring Screw.....	70121
I Sear Adjusting Screw Spring.....	70520
J Sear Adjusting Screw.....	70518
K Hammer Screw.....	75512
L Top Jaw.....	70309
M Top Jaw Screw.....	70513L
O Frizzen Screw.....	70627
P Frizzen Spring.....	70622
Q Frizzen Spring Screw.....	70628
R Frizzen.....	70626

Trigger Assembly - Ref. 36022



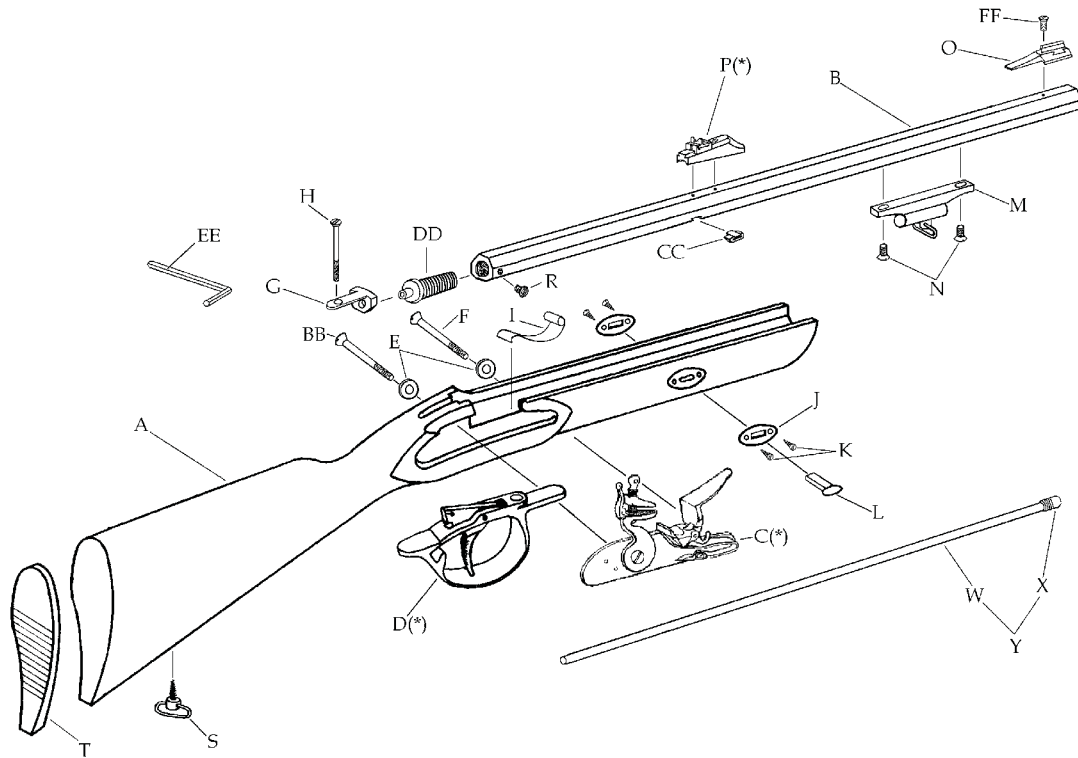
Description	Reference
A Trigger Guard/Trigger Plate.....	36023
B Trigger.....	60402-Z
C Trigger Pin.....	36020
D Trigger Spring.....	36043

Fiber Optic Rear Sight - Ref. 36830-FO



Description	Reference
A Rear Sight Base.....	36833
B Elevator Base.....	50614
C Rear Sighting Blade with Fiber Optic.....	50615-FO
D Windage Adjustment Locking Screw.....	50617
E Hex. Nut (2).....	50618
F Elevation Adjustment Locking Screw.....	50616
G Rear Sight Mounting Screw (2).....	50623

PA Pellet Rifle - Wood Stock -
Models: R-3800801
 .50 cal. Flint. 1-48"
 Blued Barrel

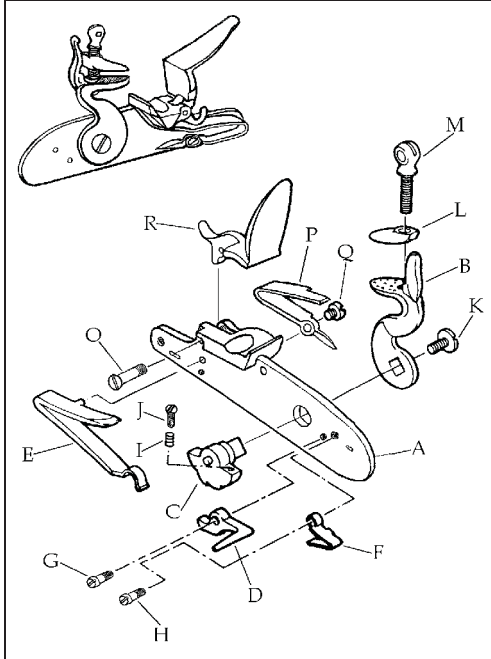


Description	Reference	Description	Reference
A Stock (Beech) (kit).....	K-38002	M Ramrod Thimble/Rib/Swivel.....	36013
Stock Beech (Flintlock) (Finished).....	FCS38002	N Thimble/Rib Screw (2).....	36014
B Barrel Assembly (Kit) (Length 26")		O Fiber Optic Front Sight	M36611-FO
.50 cal. flint. (twist 1-48").....	C-380080	P Fiber Optic Rear Sight	36830-FO
Barrel Assembly Blued (Finished) (Length 26")		R Touch Hole Insert	M38534
.50 cal. flint. (twist 1-48").....	FB380080	S Stock Sling Swivel.....	25046
C Flintlock.....	45903	T Rubber Buttpad.....	25026
D Trigger/Trigger Guard Assembly (Blackened).....	36022	W Ramrod (Aluminum).....	610030
E Lock Plate Washer (2).....	22819	X Ramrod Tip .50 cal.....	600028
F Lock Plate Screw (Front).....	20620	Y Ramrod Assembly.....	610011
G Barrel Tang.....	38006	BB Lock Plate Screw (Rear).....	20221
H Tang Screw.....	20841	CC Barrel Tenon.....	20533
I Ramrod Retaining Spring.....	20621	DD Breech Plug.....	M381007
J Stock Plate (2).....	36016	EE Allen Wrench.....	M38005
K Stock Plate Screw (4).....	36017	FF Front Sight Mounting Screw.....	400041
L Barrel Wedge.....	22218-3		

(*) Exploded view at the reverse.

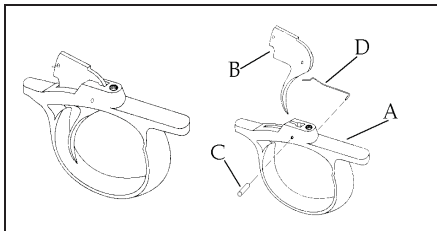
TRADITIONS™

Flintlock Assembly - Ref. 45903



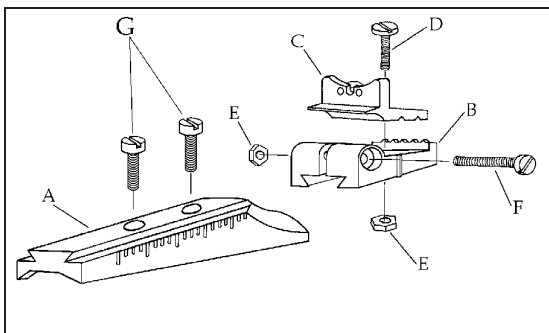
Description	Reference
A Lock Plate.....	70623
B Hammer.....	70624
C Tumbler.....	70603
D Sear.....	70504
E Mainspring.....	45071
F Sear Spring.....	70506
G Sear Screw.....	70514
H Sear Spring Screw.....	70121
I Sear Adjusting Screw Spring.....	70520
J Sear Adjusting Screw.....	70518
K Hammer Screw.....	75512P
L Top Jaw.....	70309
M Top Jaw Screw.....	70513L
O Frizzen Screw.....	70627
P Frizzen Spring.....	70625
Q Frizzen Spring Screw.....	70628
R Frizzen.....	70626

Trigger Assembly - Ref. 36022



Description	Reference
A Trigger Guard/Trigger Plate.....	36023
B Trigger.....	60402-Z
C Trigger Pin.....	36020
D Trigger Spring.....	36043

Fiber Optic Rear Sight - Ref. 36830-FO



Description	Reference
A Rear Sight Base.....	36833
B Elevator Base.....	50614
C Rear Sighting Blade with Fiber Optic.....	50615-FO
D Windage Adjustment Locking Screw.....	50617
E Hex. Nut (2).....	50618
F Elevation Adjustment Locking Screw.....	50616
G Rear Sight Mounting Screw (2).....	50623

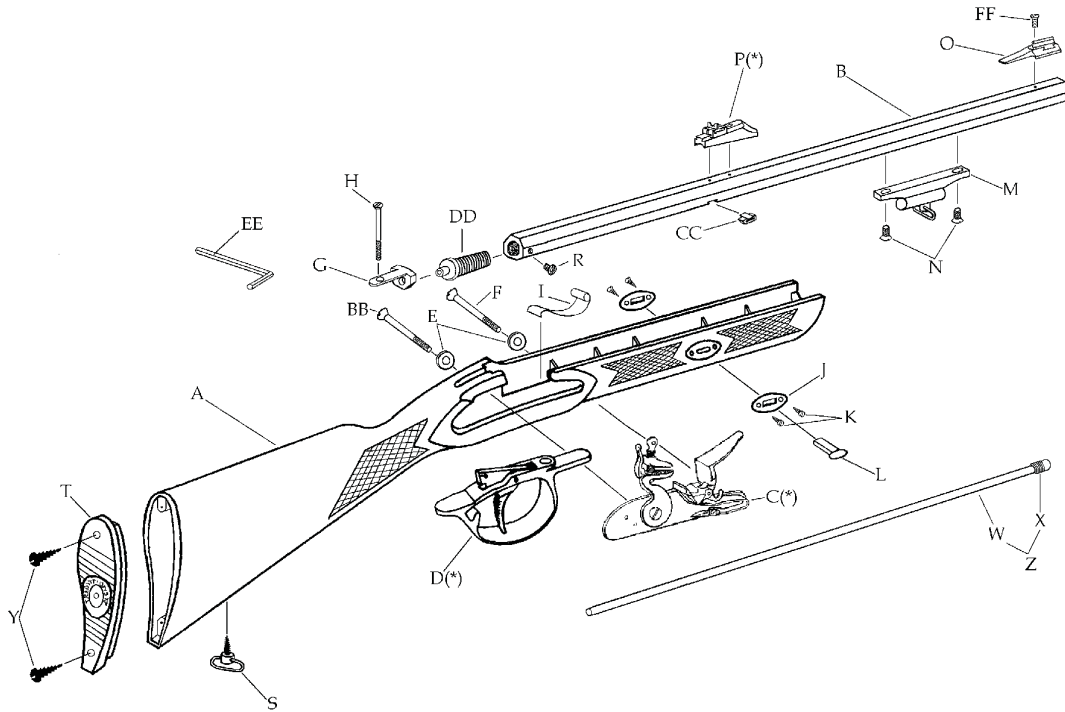
PA Pellet Rifle - AW Composite Stock -

Models:

R-3800850

.50 Cal. Flint. 1-48"

Blued Barrel

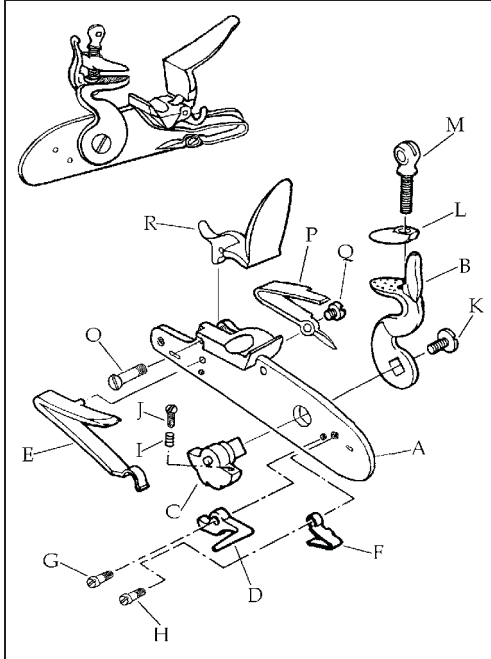


Description	Reference	Description	Reference
A Stock (AW Composite) (kit).....	K-38001	M Rambod Thimble/Rib/Swivel.....	36013
Stock (AW Composite) (Finished).....	FCS38001	N Thimble/Rib Screw (2).....	36014
B Barrel Assembly (Kit) (Length 26")		O Fiber Optic Front Sight.....	M36611-FO
.50 cal. flint. (twist 1-48").....	C-380080	P Fiber Optic Rear Sight.....	36830-FO
Barrel Assembly Blued (Finished) (Length 26")		R Touch Hole Insert	M38534
.50 cal. flint. (twist 1-48").....	FB380080	S Stock Sling Swivel.....	25046
C Flintlock.....	45903	T Buttpad.....	35026
D Trigger/Trigger Guard Assembly (Blackened).....	36022	W Ramrod (Aluminum).....	610030
E Lock Plate Washer (2)	22819	X Ramrod Tip .50 cal.....	600028
F Lock Plate Screw (Front).....	20620	Y Buttpad Mounting Screw (2).....	20634
G Barrel Tang.....	38006	Z Ramrod Assembly.....	610011
H Tang Screw.....	20841	BB Lock Plate Screw (Rear).....	20221
I Ramrod Retaining Spring.....	20621	CC Barrel Tenon.....	20533
J Stock Plate (2).....	36016	DD Breech Plug.....	M381007
K Stock Plate Screw (4).....	36017	EE Allen Wrench.....	M38005
L Barrel Wedge.....	22218-3	FF Front Sight Mounting Screw.....	400041

(*) Exploded view at the reverse.

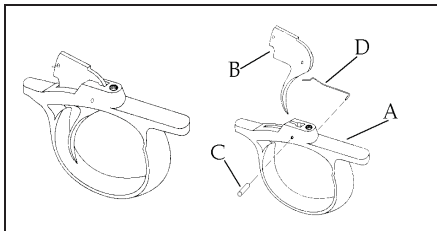
TRADITIONS™

Flintlock Assembly - Ref. 45903



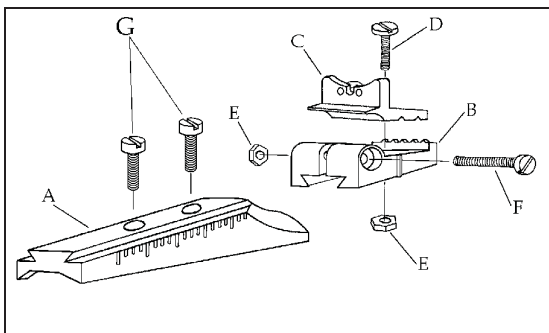
Description	Reference
A Lock Plate.....	70623
B Hammer.....	70624
C Tumbler.....	70603
D Sear.....	70504
E Mainspring.....	45071
F Sear Spring.....	70506
G Sear Screw.....	70514
H Sear Spring Screw.....	70121
I Sear Adjusting Screw Spring.....	70520
J Sear Adjusting Screw.....	70518
K Hammer Screw.....	75512P
L Top Jaw.....	70309
M Top Jaw Screw.....	70513L
O Frizzen Screw.....	70627
P Frizzen Spring.....	70625
Q Frizzen Spring Screw.....	70628
R Frizzen.....	70626

Trigger Assembly - Ref. 36022



Description	Reference
A Trigger Guard/Trigger Plate.....	36023
B Trigger.....	60402-Z
C Trigger Pin.....	36020
D Trigger Spring.....	36043

Fiber Optic Rear Sight - Ref. 36830-FO



Description	Reference
A Rear Sight Base.....	36833
B Elevator Base.....	50614
C Rear Sighting Blade with Fiber Optic.....	50615-FO
D Windage Adjustment Locking Screw.....	50617
E Hex. Nut (2).....	50618
F Elevation Adjustment Locking Screw.....	50616
G Rear Sight Mounting Screw (2).....	50623

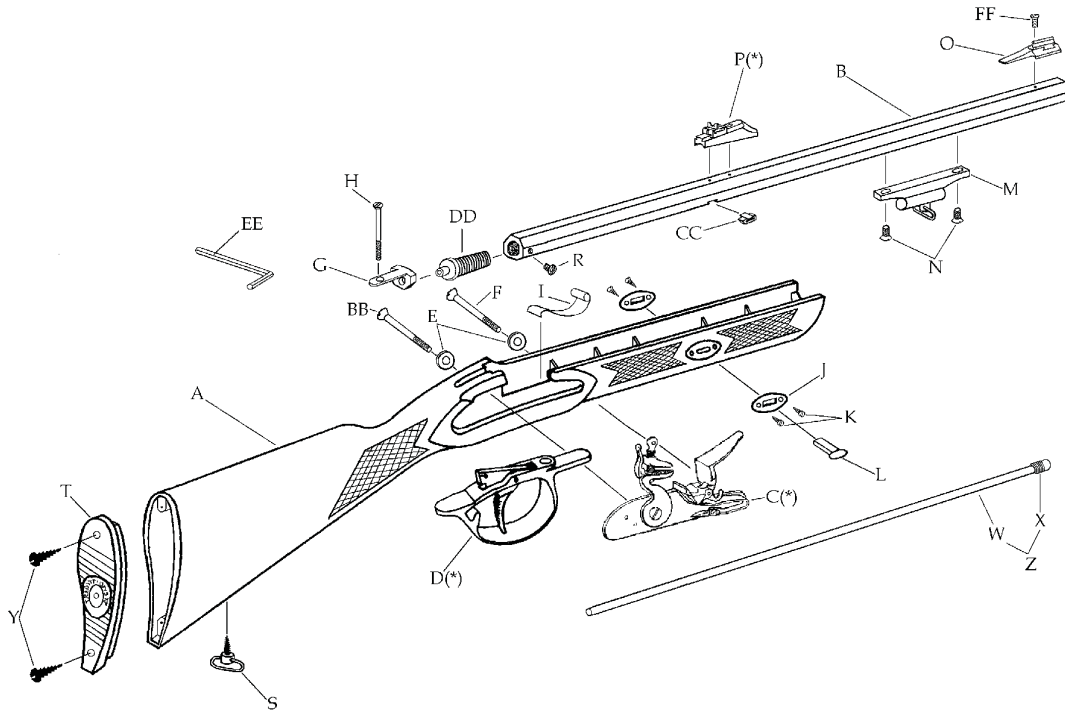
PA Pellet Rifle - AW Composite Stock -

Models:

R-3810850

.50 Cal. Flint. 1-48"

C-Nickel Barrel

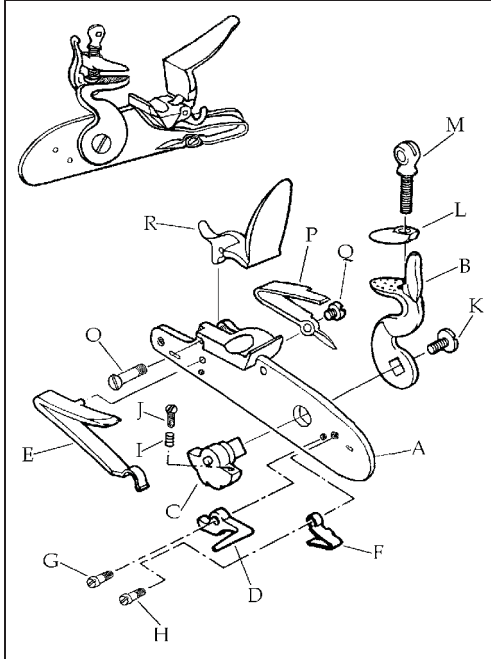


Description	Reference	Description	Reference
A Stock (AW Composite) (kit).....	K-38001	M Rambod Thimble/Rib/Swivel.....	36013
Stock (AW Composite) (Finished).....	FCS38001N	N Thimble/Rib Screw (2).....	36014
B Barrel Assembly (Kit) (Length 26")		O Fiber Optic Front Sight.....	M36611-FO
.50 cal. flint. (twist 1-48").....	C-380080	P Fiber Optic Rear Sight.....	36830-FO
Barrel Assembly C-Nickel (Finished) (Length 26")		R Touch Hole Insert.....	M38534
.50 cal. flint. (twist 1-48").....	FB3810850	S Stock Sling Swivel.....	25046
C Flintlock.....	45903	T Buttpad.....	35026
D Trigger/Trigger Guard Assembly (Blackened).....	36022	W Ramrod (Aluminum).....	610030
E Lock Plate Washer (2) (C-Nickel).....	22819N	X Ramrod Tip .50 cal.....	600028
F Lock Plate Screw (Front).....	20620	Y Buttpad Mounting Screw (2).....	20634
G Barrel Tang.....	38006N	Z Ramrod Assembly.....	610011
H Tang Screw.....	20841	BB Lock Plate Screw (Rear).....	20221
I Ramrod Retaining Spring.....	20621	CC Barrel Tenon.....	20533
J Stock Plate (2).....	36016N	DD Breech Plug.....	M381007
K Stock Plate Screw (4).....	36017	EE Allen Wrench.....	M38005
L Barrel Wedge.....	22218-3	FF Front Sight Mounting Screw.....	400041

(*) Exploded view at the reverse.

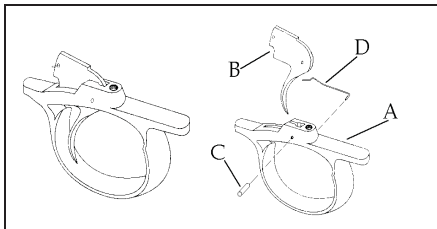
TRADITIONS™

Flintlock Assembly - Ref. 45903



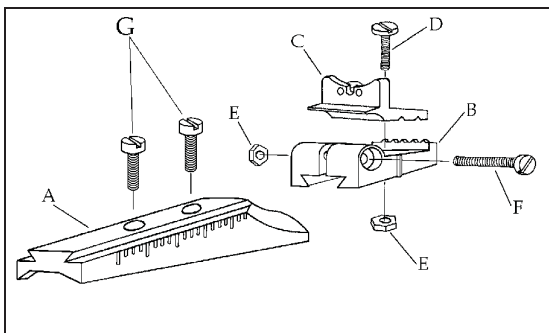
Description	Reference
A Lock Plate.....	70623
B Hammer.....	70624
C Tumbler.....	70603
D Sear.....	70504
E Mainspring.....	45071
F Sear Spring.....	70506
G Sear Screw.....	70514
H Sear Spring Screw.....	70121
I Sear Adjusting Screw Spring.....	70520
J Sear Adjusting Screw.....	70518
K Hammer Screw.....	75512P
L Top Jaw.....	70309
M Top Jaw Screw.....	70513L
O Frizzen Screw.....	70627
P Frizzen Spring.....	70625
Q Frizzen Spring Screw.....	70628
R Frizzen.....	70626

Trigger Assembly - Ref. 36022



Description	Reference
A Trigger Guard/Trigger Plate.....	36023
B Trigger.....	60402-Z
C Trigger Pin.....	36020
D Trigger Spring.....	36043

Fiber Optic Rear Sight - Ref. 36830-FO



Description	Reference
A Rear Sight Base.....	36833
B Elevator Base.....	50614
C Rear Sighting Blade with Fiber Optic.....	50615-FO
D Windage Adjustment Locking Screw.....	50617
E Hex. Nut (2).....	50618
F Elevation Adjustment Locking Screw.....	50616
G Rear Sight Mounting Screw (2).....	50623

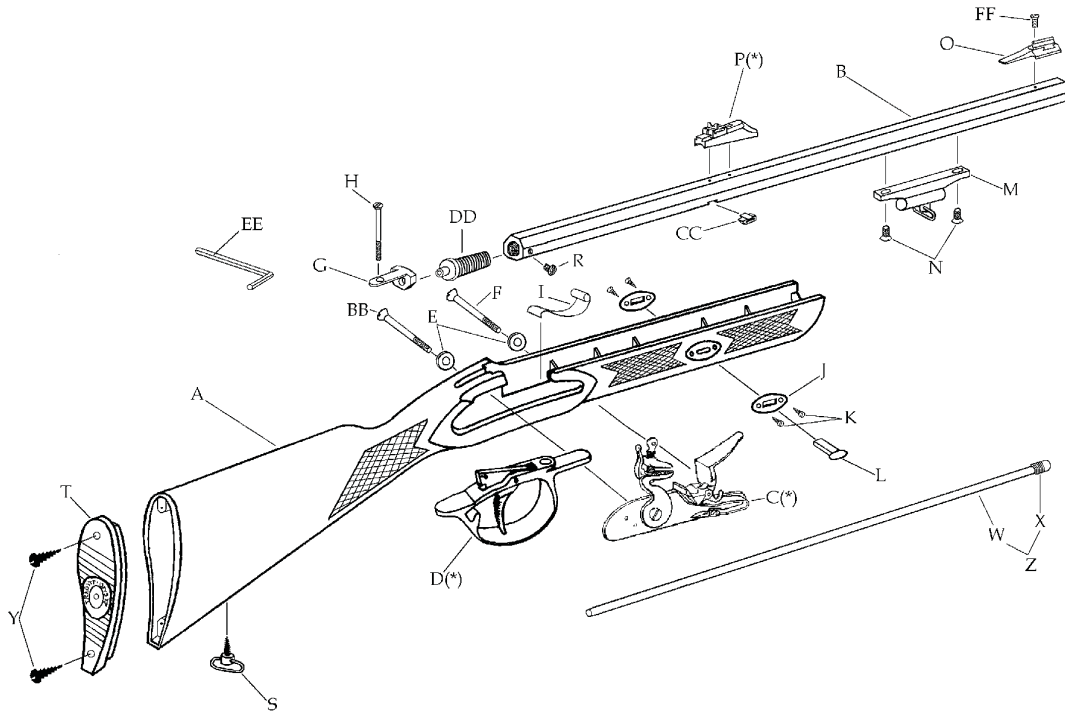
PA Pellet Rifle - Break Up Stock -

Models:

R-3810855

.50 Cal. Flint. 1-48"

C-Nickel Barrel

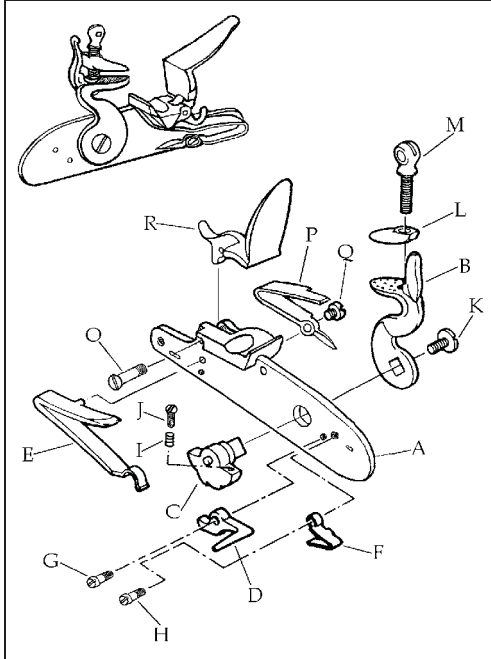


Description	Reference	Description	Reference
A Stock (AW Composite) (kit).....	K-38001	M Rambod Thimble/Rib/Swivel.....	36013
Stock (Break-Up) (Finished).....	FCS38005N	N Thimble/Rib Screw (2).....	36014
B Barrel Assembly (Kit) (Length 26")		O Fiber Optic Front Sight.....	M36611-FO
.50 cal. flint. (twist 1-48").....	C-380080	P Fiber Optic Rear Sight.....	36830-FO
Barrel Assembly C-Nickel (Finished) (Length 26")		R Touch Hole Insert	M38534
.50 cal. flint. (twist 1-48").....	FB3810850	S Stock Sling Swivel.....	25046
C Flintlock.....	45903	T Buttpad.....	35026
D Trigger/Trigger Guard Assembly (Blackened).....	36022	W Ramrod (Aluminum).....	610030
E Lock Plate Washer (2) (C-Nickel).....	22819N	X Ramrod Tip .50 cal.....	600028
F Lock Plate Screw (Front).....	20620	Y Buttpad Mounting Screw (2).....	20634
G Barrel Tang.....	38006N	Z Ramrod Assembly.....	610011
H Tang Screw.....	20841	BB Lock Plate Screw (Rear).....	20221
I Ramrod Retaining Spring.....	20621	CC Barrel Tenon.....	20533
J Stock Plate (2).....	36016N	DD Breech Plug.....	M381007
K Stock Plate Screw (4).....	36017	EE Allen Wrench.....	M38005
L Barrel Wedge.....	22218-3	FF Front Sight Mounting Screw.....	400041

(*) Exploded view at the reverse.

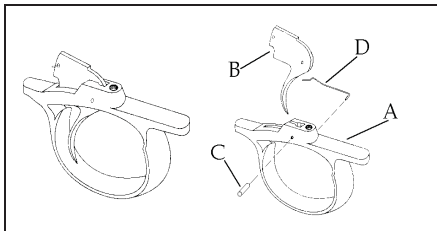
TRADITIONS™

Flintlock Assembly - Ref. 45903



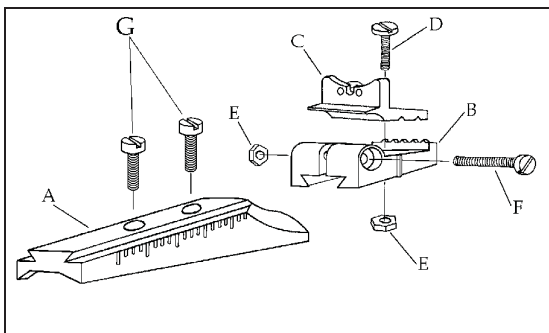
Description	Reference
A Lock Plate.....	70623
B Hammer.....	70624
C Tumbler.....	70603
D Sear.....	70504
E Mainspring.....	45071
F Sear Spring.....	70506
G Sear Screw.....	70514
H Sear Spring Screw.....	70121
I Sear Adjusting Screw Spring.....	70520
J Sear Adjusting Screw.....	70518
K Hammer Screw.....	75512P
L Top Jaw.....	70309
M Top Jaw Screw.....	70513L
O Frizzen Screw.....	70627
P Frizzen Spring.....	70625
Q Frizzen Spring Screw.....	70628
R Frizzen.....	70626

Trigger Assembly - Ref. 36022



Description	Reference
A Trigger Guard/Trigger Plate.....	36023
B Trigger.....	60402-Z
C Trigger Pin.....	36020
D Trigger Spring.....	36043

Fiber Optic Rear Sight - Ref. 36830-FO



Description	Reference
A Rear Sight Base.....	36833
B Elevator Base.....	50614
C Rear Sighting Blade with Fiber Optic.....	50615-FO
D Windage Adjustment Locking Screw.....	50617
E Hex. Nut (2).....	50618
F Elevation Adjustment Locking Screw.....	50616
G Rear Sight Mounting Screw (2).....	50623