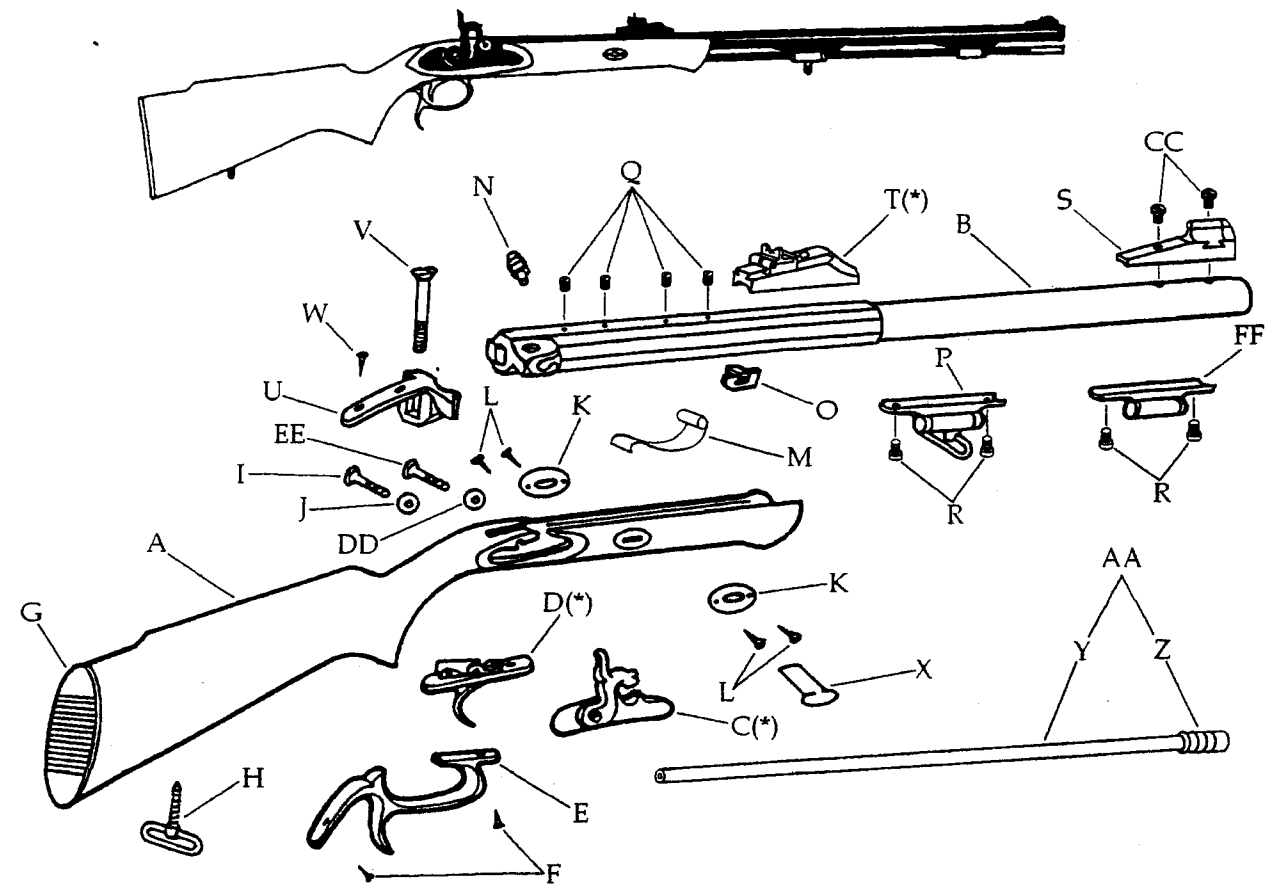


**Lightning Fire Side Lock Rifle -
R-251021**
.50 cal. Perc. 1-32"
C-Nickel Fluted Barrel



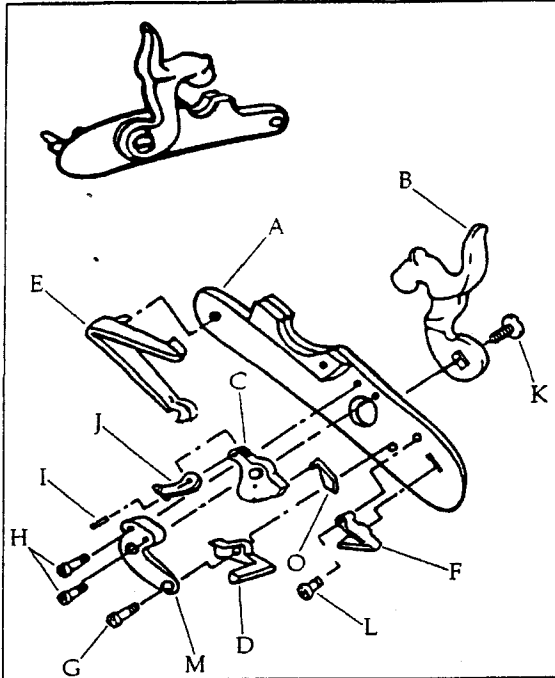
| Description | Reference | Description | Reference |
|--|-----------|--|-----------|
| A Stock Beech (Kit)..... | K-25001 | O Barrel Tennon..... | 20533 |
| Stock Epoxy Coated Beech (Finished)..... | FCS25101 | P Ramrod Thimble Rear..... | 36013-T |
| B Barrel Assembly (Kit) (Length 28")..... | | Q Plug Screw (4)..... | 26029 |
| .50 cal. perc. (twist 1-32")..... | C-251020 | R Thimble/Barrel Mount Screw (4)..... | 36014 |
| Barrel Assembly C-Nickel Fluted (Finished) | | S Fiber Optic Front Sight..... | M50611-FO |
| .50 cal. perc. (twist 1-32")..... | FB251020 | T Fiber Optic Rear Sight..... | 36830-FO* |
| C Percussion Lock..... | 25503-N | U Barrel Tang..... | 50017-N |
| D Trigger Assembly..... | 22222 | V Tang Screw..... | 50120 |
| E Trigger Guard..... | 25023 | W Rear Tang Screw..... | 20624 |
| F Trigger Guard Screw (2)..... | 20624 | X Wedge..... | 22218-3 |
| G Rubber Butt Pad..... | 25026 | Y Ramrod (Blackened)..... | M250030 |
| H Rear Sling Swivel..... | 25046 | Z Ramrod Tip..... | 600028 |
| I Lock Plate Washer Screw Rear..... | 25020 | AA Ramrod Assembly..... | 250011 |
| J Lock Plate Washer Rear..... | 25019 | BB Ramrod Thimble Front..... | 36013-A |
| K Stock Plate (2)..... | 36016 | CC Fiber Optic Front Sight Mounting Screw (2)..... | 50620 |
| L Stock Plate Screw (4)..... | 36017 | DD Lock Plate Washer Front..... | 22819 |
| M Ramrod Spring..... | 20621 | EE Lock Plate Washer Screw Front..... | 25021 |
| N Lightning Fire Musket Cap Nipple..... | 600608 | | |

(* Exploded view at the reverse.

** Rear sight Base = 36833*

TRADITIONS™

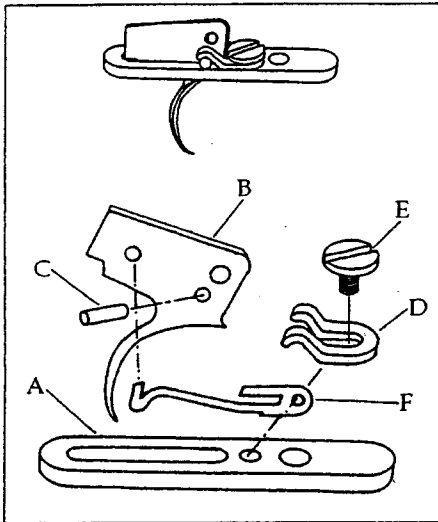
Percussion Lock Assembly - Ref. 25503



| Description | Reference |
|-----------------------------|-----------|
| A Lock Plate..... | 25501 |
| B Hammer..... | 25602 |
| C Tumbler..... | 75503 |
| D Sear..... | 75504 |
| E Mainspring..... | 75505 |
| F Sear Spring..... | 75506 |
| G Sear Screw..... | 75514 |
| H Bridle Screw..... | 75515 |
| I Tumbler Pin..... | 75507 |
| J Pivoting Tumbler Arm..... | 75502 |
| K Hammer Screw..... | 75512P |
| L Sear Spring Screw..... | 75513 |
| M Bridle..... | 75508 |
| O Fly..... | 75511 |

Trigger Assembly

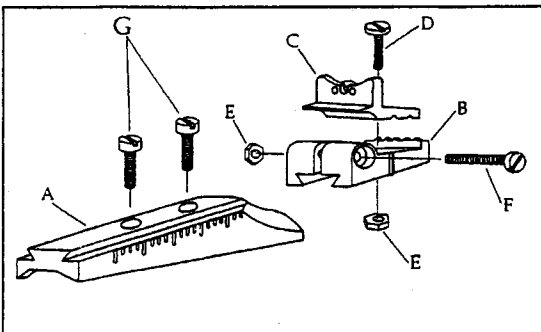
- Ref. 22222



| Description | Reference |
|-----------------------------|-----------|
| A Trigger Plate..... | 60401 |
| B Trigger..... | 60402H |
| C Trigger Pin..... | 60404 |
| D Trigger Bridle..... | 60403 |
| E Trigger Bridle Screw..... | 60406 |
| F Trigger Spring..... | 60405 |

Fiber Optic Rear Sight

- Ref. 36830-FO



| Description | Reference |
|--|-----------|
| A Rear Sight Base..... | 36833 |
| B Elevator Base..... | 50614 |
| C Rear Sighting Blade with Fiber Optic..... | 50615-FO |
| D Windage Adjustment Locking Screw..... | 50617 |
| E Hex. Nut (2)..... | 50618 |
| F Elevation Adjustment Locking Screw..... | 50616 |
| G Fiber Optic Rear Sight Mounting Screw (2)..... | 50622 |