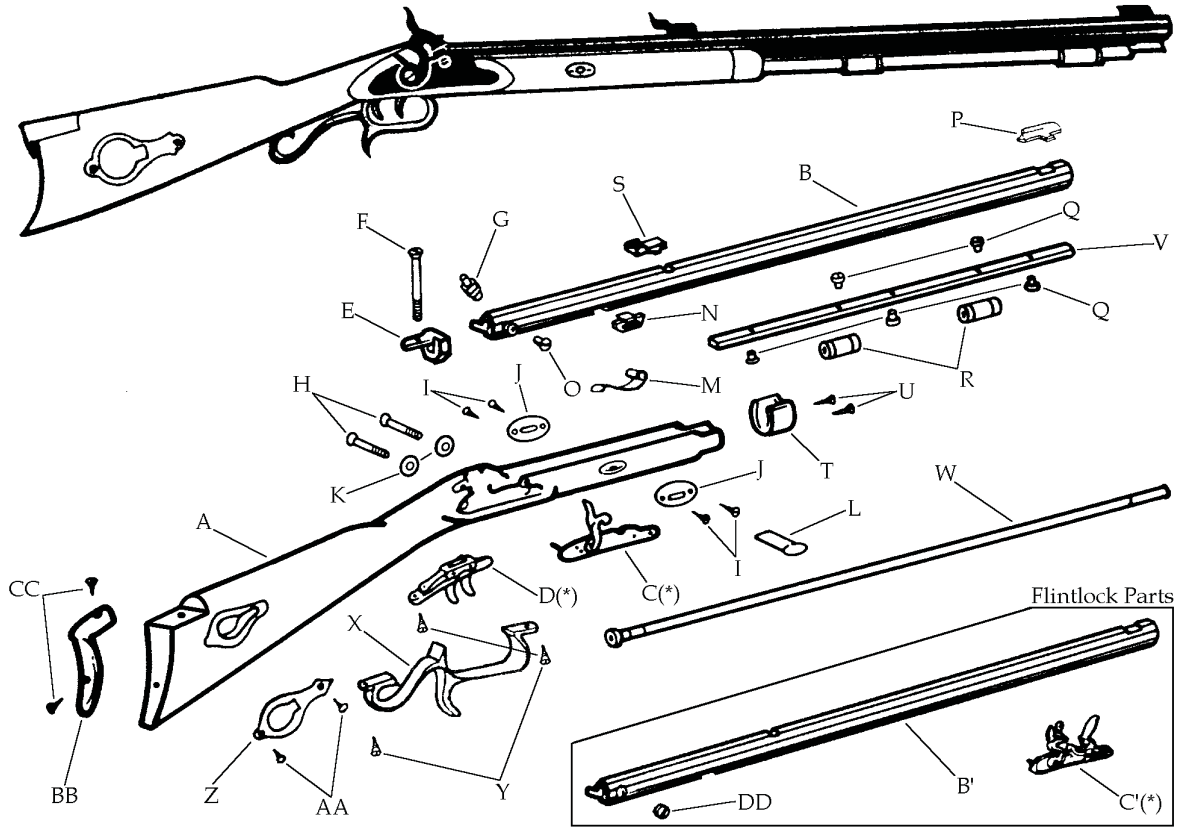


- Hawken Woodsman Rifle (Brass) -

Models: **R-2390801**
 .50 cal. flint. 1-48"
 Blued Barrel

R-24008
 .50 cal. perc. 1-48"
 Blued Barrel

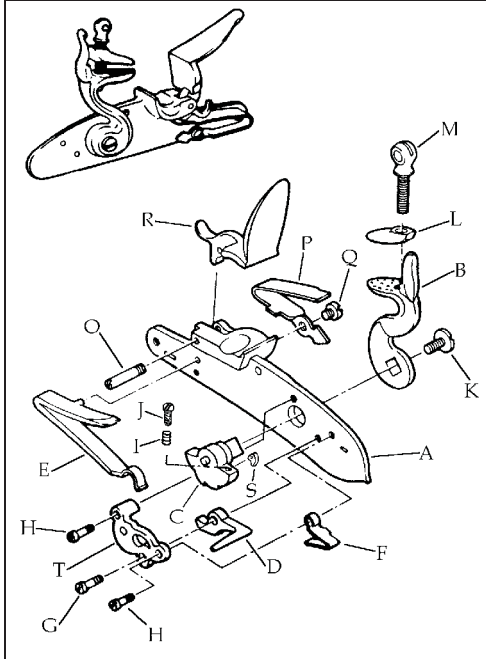
R-24048
 .54 cal. perc. 1-48"
 Blued Barrel



Description	Reference	Description	Reference
A Stock Beech (Kit).....	K-24001	K Lock Plate Washer (2).....	20840
Stock Beech Flintlock (Finished).....	FCS23901	L Barrel Tennon Wedge.....	22218-2
Stock Beech Percussion (Finished).....	FCS24001	M Ramrod Retaining Spring.....	20621
B Barrel Assembly (Kit) (Length 28")		N Barrel Tennon.....	20533
.50 cal. perc. (twist 1-48").....	C-240080	O Bolster Screw -Percussion Only.....	20605
.54 cal. perc. (twist 1-48").....	C-240048	P Front Sight.....	30611
Barrel Assembly (Finished) (Length 28")		P' Front Sight (45 cal. Only).....	20611
.50 cal. perc. Blued (twist 1-48").....	FB240080	Q Thimble/Barrel Rib Screw (5).....	20614
.54 cal. perc. Blued (twist 1-48").....	FB240048	R Ramrod Thimble (2) (Brass).....	20613
B' Barrel Assembly (Kit) (Length 28")		S Rear Sight.....	40610
.50 cal. flint. (twist 1-48").....	C-239080	S' Rear Sight (45 cal. Only).....	22810
Barrel Assembly (Finished) (Length 28")		T Nose Cap (Brass).....	24015
.50 cal. flint. Blued (twist 1-48").....	FB239080	U Nose Cap Screw (2).....	20627
C Percussion Lock.....	20803	V Barrel Rib.....	24012
C' Flintlock.....	20703	W Ramrod Assembly (Synthetic).....	22228M
D Trigger Assembly.....	20622R	X Trigger Guard (Brass).....	20823
E Barrel Tang.....	20606	Y Trigger Guard Screw (3).....	20624
F Tang Screw.....	20609	Z Patchbox (Brass).....	20435
G Nipple Percussion Only.....	20608	AA Patchbox Screw (2).....	400024
H Lock Plate Screw (2).....	20120	BB Butt Plate (Brass).....	24026
I Stock Plate Screw (4).....	20617	CC Butt Plate Screw (2).....	20627
J Stock Plate (2) (Brass).....	22216L	DD Touch Hole Insert -Flintlock Only.....	20534

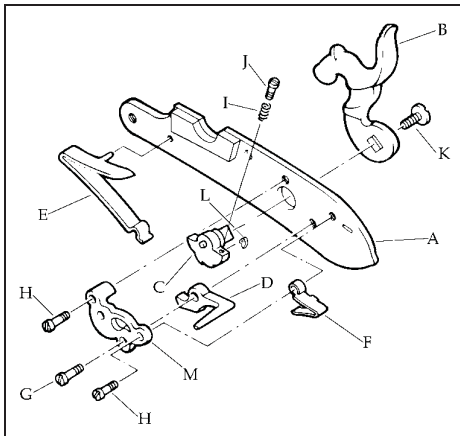
(*) Exploded view at the reverse.

TRADITIONS™
Flintlock Assembly - Ref. 20703



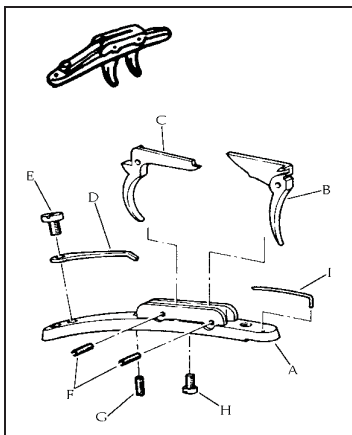
Description	Reference
A Lock Plate.....	70601
B Hammer.....	70302
C Tumbler.....	70603
D Sear.....	70504
E Mainspring.....	70505
F Sear Spring.....	70506
G Sear Screw.....	70514
H Sear Spring & Bridle Screw (2).....	70515
I Sear Adjusting Screw Spring.....	70520
J Sear Adjusting Screw.....	70518
K Hammer Screw.....	75512P
L Top Jaw.....	70309
M Top Jaw Screw.....	70513L
O Frizzen Screw.....	70516
P Frizzen Spring.....	70519
Q Frizzen Spring Screw.....	70517
R Frizzen.....	70507
S Fly.....	70611
T Bridle.....	70508

**Percussion Lock Assembly
- Ref. 20803**



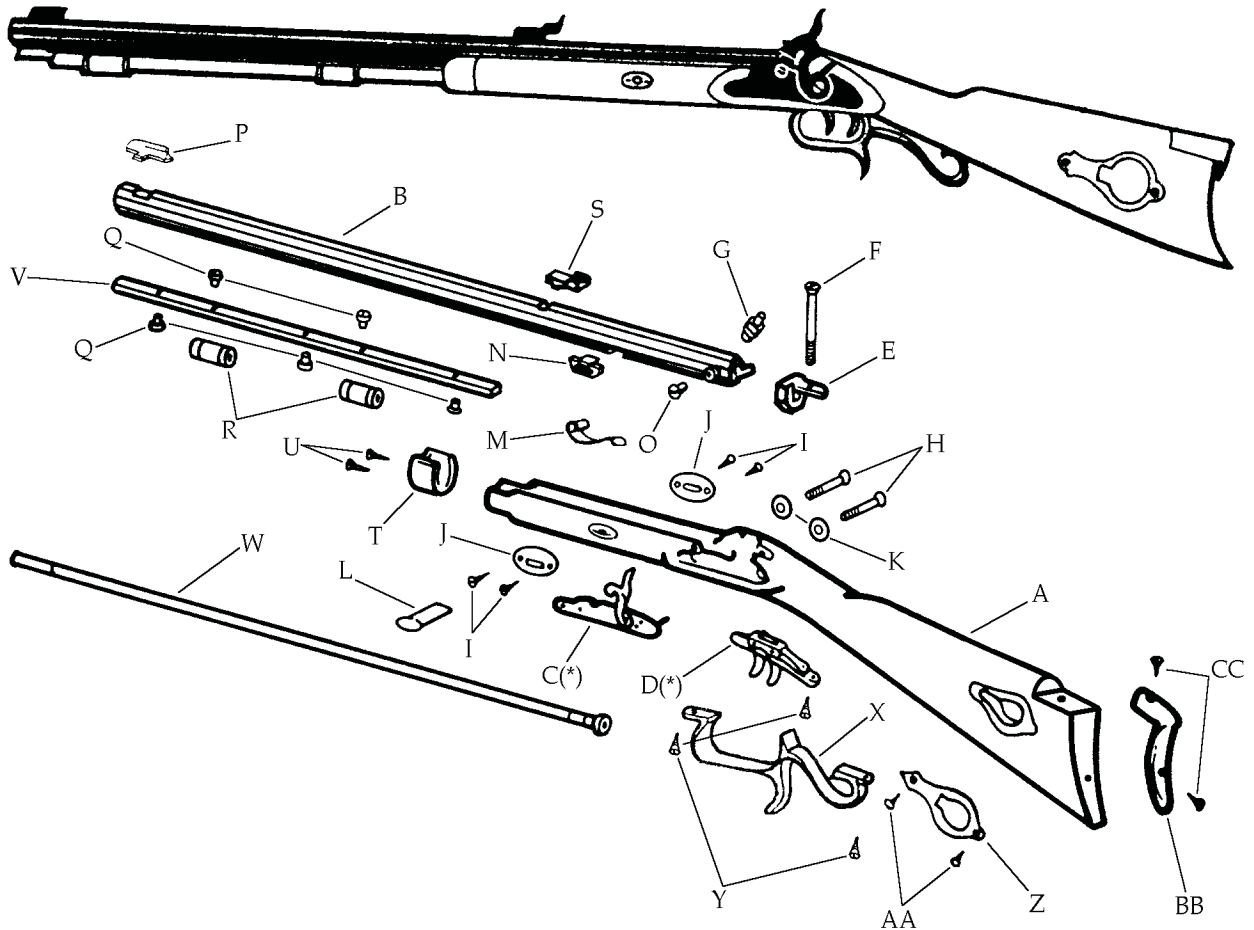
Description	Reference
A Lock Plate.....	70801-I
B Hammer.....	70802
C Tumbler.....	70603
D Sear.....	70504
E Mainspring.....	70505
F Sear Spring.....	70506
G Sear Screw.....	70514
H Sear Spring & Bridle Screw (2).....	70515
I Sear Adjusting Screw Spring.....	70520
J Sear Adjusting Screw.....	70518
K Hammer Screw.....	75512P
L Fly.....	70611
M Bridle.....	70508

**Trigger Assembly
- Ref. 20622R**



Description	Reference
A Trigger Plate.....	60601R
B Front Trigger.....	60602
C Rear Trigger.....	60603
D Rear Spring.....	60604R
E Rear Spring Screw.....	60606
F Trigger Pin (2).....	60609
G Rear Trigger Adjustment Screw.....	60608
H Front Trigger Adjustment Screw.....	60607
I Front Spring.....	60605

- Hawken Woodsman Rifle (Left Hand) -
Models: R-34008
 .50 cal. perc. 1-48"
 Blued Barrel

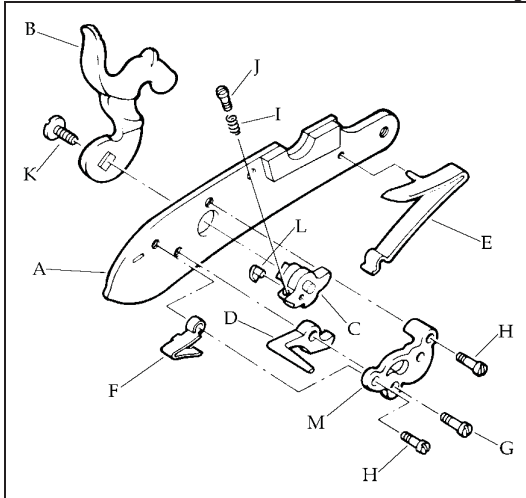


Description	Reference	Description	Reference
A Stock Beech (Kit).....	K-34001	N Barrel Tennon.....	20533
Stock Beech Percussion (Finished).....	FCS34001	O Bolster Screw -Percussion Only.....	20605
B Barrel Assembly (Kit) (Length 28")		P Front Sight.....	30611
.50 cal. perc. (twist 1-48").....	C-340080	Q Thimble/Barrel Rib Screw (5).....	20614
Barrel Assembly Blued (Finished) (Length 28")		R Ramrod Thimble (2) (Brass).....	20613
.50 cal. perc. (twist 1-48").....	FB340080	S Rear Sight.....	40610
C Percussion Lock.....	34003	T Nose Cap (Brass).....	24015
D Trigger Assembly.....	20622R	U Nose Cap Screw (2).....	20627
E Barrel Tang.....	20606	V Barrel Rib.....	24012
F Tang Screw.....	20609	W Ramrod Assembly (Synthetic).....	22228M
G Nipple Percussion Only.....	20608	X Trigger Guard (Brass).....	20823
H Lock Plate Screw (2).....	20220	Y Trigger Guard Screw (3).....	20624
I Stock Plate Screw (4).....	20617	Z Patchbox (Brass).....	20435
J Stock Plate (2) (Brass).....	22216L	AA Patchbox Screw (2).....	400024
K Lock Plate Washer (2).....	20840	BB Butt Plate (Brass).....	24026
L Barrel Tennon Wedge.....	22218-2	CC Butt Plate Screw (2).....	20627
M Ramrod Retaining Spring.....	20621	DD Touch Hole Insert -Flintlock Only.....	20534

(*) Exploded view at the reverse.

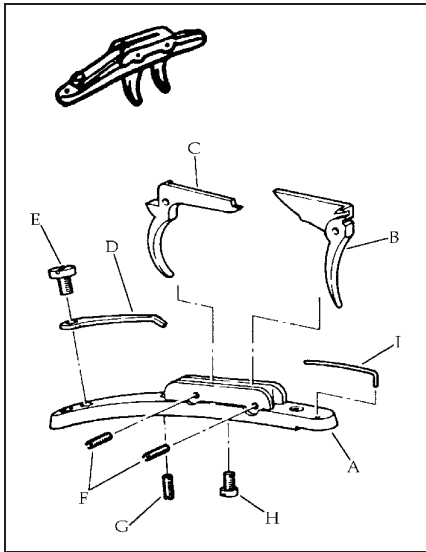
TRADITIONS™

Percussion Lock Assembly - Ref. 34003



Description	Reference
A Lock Plate.....	70801-L
B Hammer.....	70802-L
C Tumbler.....	70503-L
D Sear.....	70504-L
E Mainspring.....	70505-L
F Sear Spring.....	70506-L
G Sear Screw.....	70514
H Sear Spring & Bridle Screw (2).....	70515
I Sear Adjusting Screw Spring.....	70520
J Sear Adjusting Screw.....	70518
K Hammer Screw.....	75512
L Fly.....	70511-L
M Bridle.....	70508-L

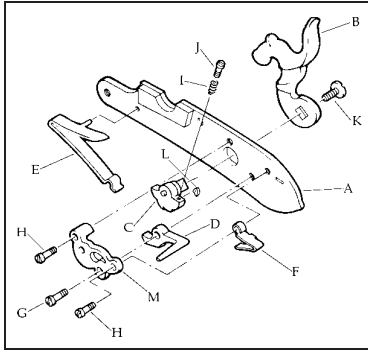
Trigger Assembly - Ref. 20622R



Description	Reference
A Trigger Plate.....	60601R
B Front Trigger.....	60602
C Rear Trigger.....	60603
D Rear Spring.....	60604R
E Rear Spring Screw.....	60606
F Trigger Pin (2).....	60609
G Rear Trigger Adjustment Screw.....	60608
H Front Trigger Adjustment Screw.....	60607
I Front Spring.....	60605

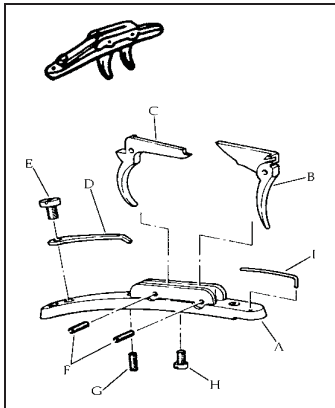
TRADITIONS™

Percussion Lock Assembly - Ref. 20803



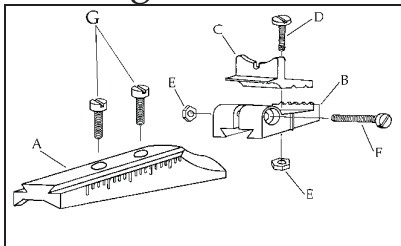
	Description	Reference
A	Lock Plate.....	70801-1
B	Hammer.....	70802
C	Tumbler.....	70603
D	Sear.....	70504
E	Mainspring.....	70505
F	Sear Spring.....	70506
G	Sear Screw.....	70514
H	Sear Spring & Bridle Screw (2).....	70515
I	Sear Adjusting Screw Spring.....	70520
J	Sear Adjusting Screw.....	70518
K	Hammer Screw.....	75512P
L	Fly.....	70611
M	Bridle.....	70508

Trigger Assembly -Ref. 20622R



	Description	Reference
A	Trigger Plate.....	60601R
B	Front Trigger.....	60602
C	Rear Trigger.....	60603
D	Rear Spring.....	60604R
E	Rear Spring Screw.....	60606
F	Trigger Pin (2).....	60609
G	Rear Trigger Adjustment Screw.....	60608
H	Front Trigger Adjustment Screw.....	60607
I	Front Spring.....	60605

Rear Sight - Ref. 36810



	Description	Reference
A	Rear Sight Base.....	36813
B	Elevator Base.....	50614
C	Rear Sight Blade.....	50615
D	Windage Adjustment Locking Screw.....	50617
E	Hex. Nut (2).....	50618
F	Elevator Adjustment Locking Screw.....	50616
G	Rear Sight Mounting Screw (2).....	50622

- St. Louis Hawken Rifle -

Models:

R-240089 (Before 2001)

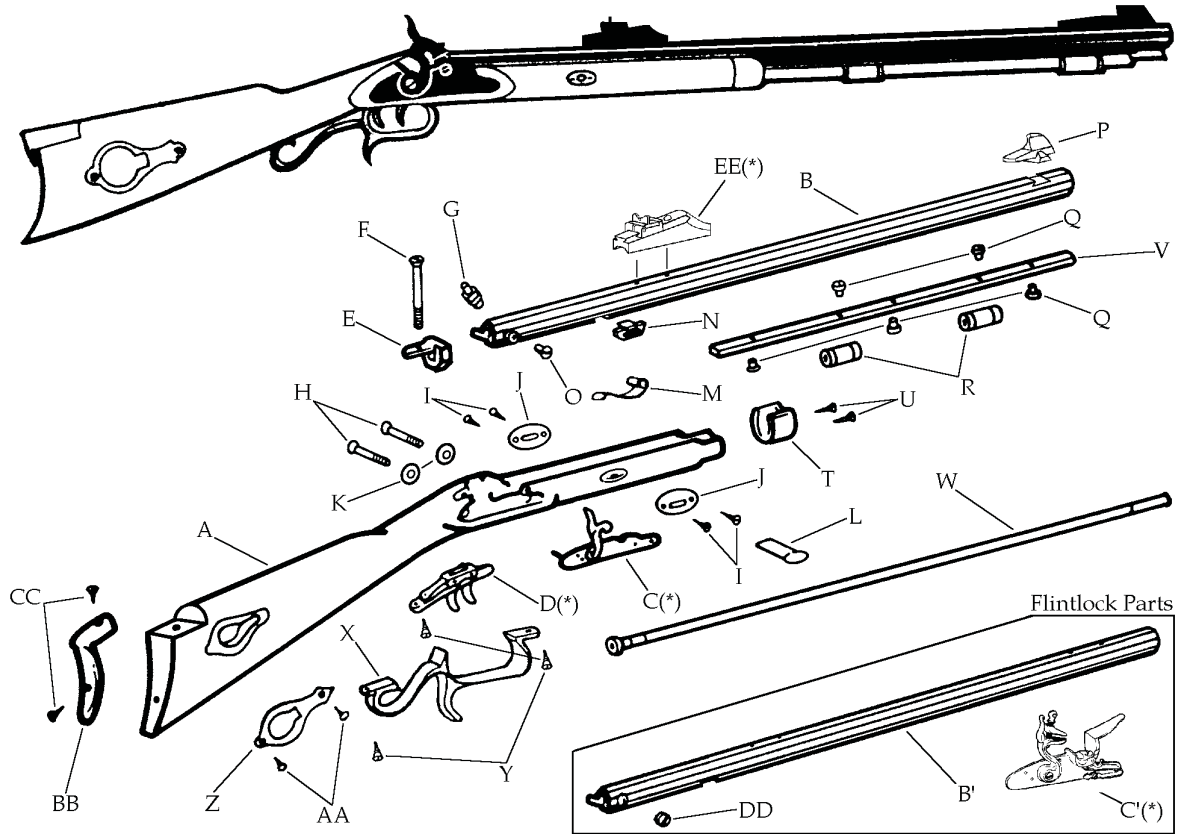
KR-524089 (Before 2001)

R-24208101

KR-52408100

.50 cal. perc. 1-48"
Blued Barrel

.50 cal. perc. 1-48"
White Barrel



Description	Reference	Description	Reference
A Stock Beech (Kit).....	K-24001	N Barrel Tennon.....	20533
Stock Beech Percussion (Finished).....	FCS24301	O Bolster Screw -Percussion	20605
B Barrel Assembly (Kit) (Length 28")	C-241080	P Front Sight.....	36611
.50 cal. Perc. (twist 1-48").....		Q Thimble/Barrel Rib Screw (5).....	20614
Barrel Assembly (Finished) (Length 28")	FB242080	R Ramrod Thimble (2) (Brass).....	20613
.50 cal. Perc. Blued (twist 1-48").....		T Nose Cap (Brass).....	24015
C Percussion Lock.....	20803	U Nose Cap Screw (2).....	20627
D Trigger Assembly.....	20622R	V Barrel Rib.....	24012
E Barrel Tang.....	20606	W Ramrod Assembly (Synthetic).....	22228M
F Tang Screw.....	20609	X Trigger Guard (Brass).....	20823
G Nipple Percussion	20608	Y Trigger Guard Screw (3).....	20624
H Lock Plate Screw (2).....	20120	Z Patchbox (Brass).....	20435
I Stock Plate Screw (4).....	20617	AA Patchbox Screw (2).....	400024
J Stock Plate (2) (Brass).....	22216L	BB Butt Plate (Brass).....	24026
K Lock Plate Washer (2).....	20840	CC Butt Plate Screw (2).....	20627
L Barrel Tennon Wedge.....	22218-2	EE Rear Sight.....	36810
M Ramrod Retaining Spring.....	20621		

(*) Exploded view at the reverse.