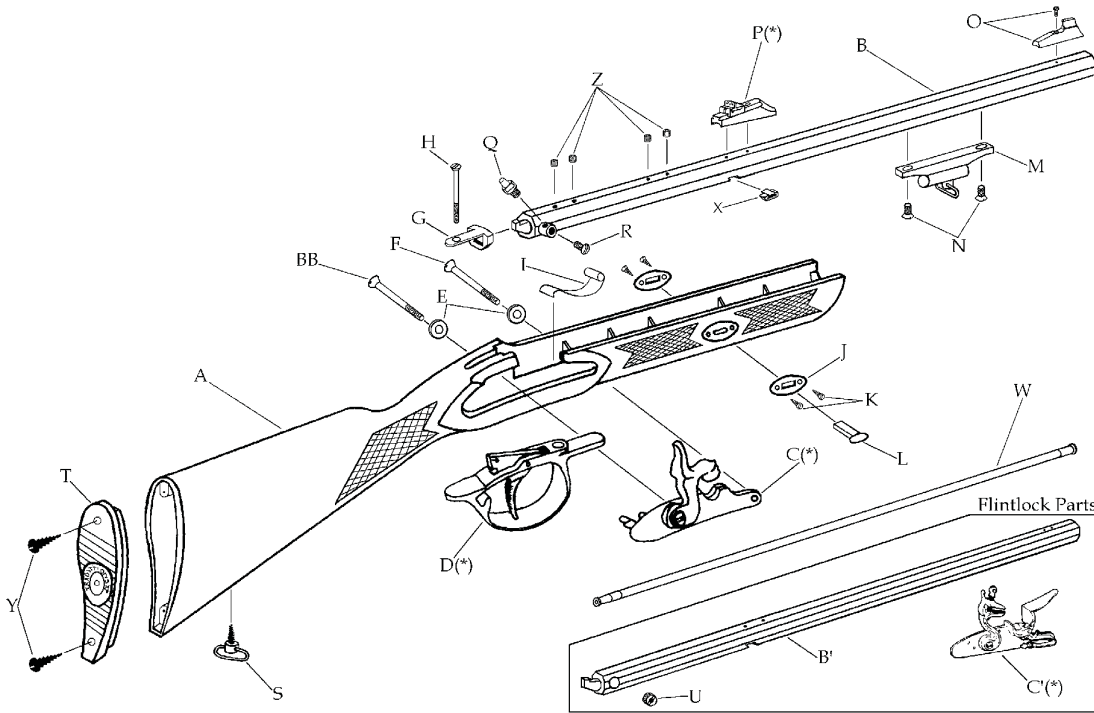


**Deerhunter Rifle - New Luminous Sights -**

Models:

|                       | Finished             |                      | Kit                 |
|-----------------------|----------------------|----------------------|---------------------|
| R-3500850             | R-35108150           | R-35148150           | KR-56148100         |
| .50 cal. Flint. 1-48" | .50 cal. Perc. 1-48" | .54 cal. Perc. 1-48" | 54 cal. Perc. 1-48" |
| Blued Barrel No D&T   | Blued Barrel         | Blued Barrel         | White Barrel        |

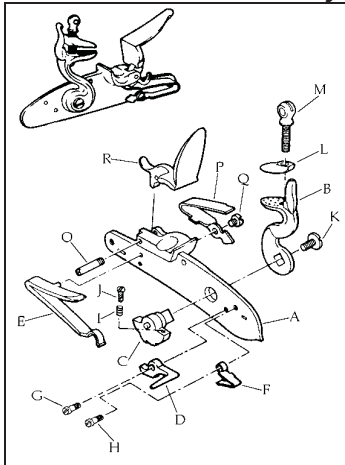


| Description                                       | Reference   | Description                               | Reference |
|---|-------------|---|-----------|
| A Stock (AW Composite) (kit).....                 | K-35001     | H Tang Screw.....                         | 20841     |
| Stock (AW Composite) (Finished) (Percussion)..... | FCS35101    | I Ramrod Retaining Spring.....            | 20621     |
| Stock (AW Composite) (Finished) (Flintlock).....  | FCS35001    | J Stock Plate (2).....                    | 36016     |
| B Barrel Assembly (Kit) (Length 24")              |             | K Stock Plate Screw (4).....              | 36017     |
| .50 cal. Perc. (twist 1-48").....                 | C-351080    | L Barrel Wedge.....                       | 22218-3   |
| .54 cal. Perc. (twist 1-48").....                 | C-351480    | M Ramrod Thimble/Rib/Swivel.....          | 36013     |
| Barrel Assembly (Finished) (Length 24")           |             | N Thimble/Rib Screw (2).....              | 36014     |
| .50 cal. Perc. Blued (twist 1-48").....           | FB351080-LU | O Front Sight (New Luminous).....         | 36611-LU  |
| .54 cal. Perc. Blued (twist 1-48").....           | FB351480-LU | P Rear Sight (New Luminous).....          | 36810-LU  |
| B' Barrel Assembly (Kit) (Length 24")             |             | Q Nipple Percussion Only.....             | 20608     |
| .50 cal. Flint. (twist 1-48") No D&T.....         | C-350081    | R Bolster Screw Percussion Only.....      | 20605     |
| Barrel Assembly (Finished) (Length 24")           |             | S Stock Sling Swivel.....                 | 25046     |
| .50 cal. Flint. Blued (twist 1-48") No D&T.....   | FB350081-LU | T Buttpad.....                            | 35026     |
| C Percussion Lock.....                            | 22203-O     | U Touch Hole Insert -Flintlock Only-..... | 20534     |
| D' Flintlock.....                                 | 35903       | X Ramrod Assembly (Synthetic).....        | 36028N    |
| Trigger/Trigger Guard Assembly (Blackened).....   | 36022       | Y Barrel Tenon.....                       | 20533     |
| E Lock Plate Washer (2).....                      | 22819       | Z Buttpad Mounting Screw (2).....         | 20634     |
| F Lock Plate Screw (Front).....                   | 20620       | BB Plug Screw (4) Percussion Only.....    | 26029     |
| G Barrel Tang.....                                | 20606       |   | 20221     |

(\*) Exploded view at the reverse.

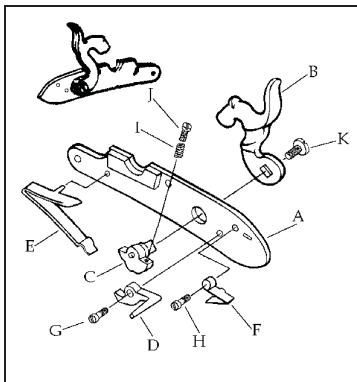
# TRADITIONS™

## Flintlock Assembly - Ref. 35903



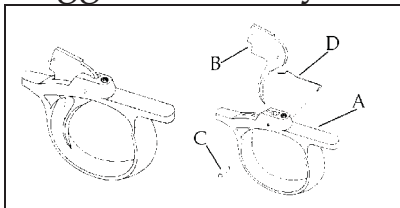
| Description                        | Reference |
|------------------------------------|-----------|
| A Lock Plate.....                  | 90101     |
| B Hammer.....                      | 70302     |
| C Tumbler.....                     | 70603     |
| D Sear.....                        | 70504     |
| E Mainspring.....                  | 70505     |
| F Sear Spring.....                 | 70506     |
| G Sear Screw.....                  | 70514     |
| H Sear Spring Screw.....           | 70121     |
| I Sear Adjusting Screw Spring..... | 70520     |
| J Sear Adjusting Screw.....        | 70518     |
| K Hammer Screw.....                | 75512P    |
| L Top Jaw.....                     | 70309     |
| M Top Jaw Screw.....               | 70513L    |
| O Frizzen Screw.....               | 70516     |
| P Frizzen Spring.....              | 70519     |
| Q Frizzen Spring Screw.....        | 70517     |
| R Frizzen.....                     | 70507     |

## Percussion Lock -Ref. 22203-O



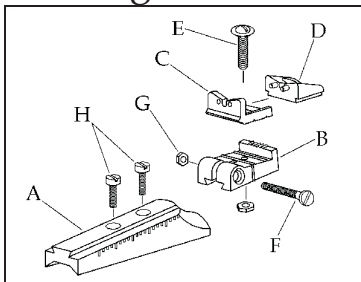
| Description                        | Reference |
|------------------------------------|-----------|
| A Lock Plate.....                  | 90201     |
| B Hammer.....                      | 70602-O   |
| C Tumbler.....                     | 70603     |
| D Sear.....                        | 70504     |
| E Mainspring.....                  | 70505     |
| F Sear Spring.....                 | 70506     |
| G Sear Screw.....                  | 70514     |
| H Sear Spring Screw.....           | 70121     |
| I Sear Adjusting Screw Spring..... | 70520     |
| J Sear Adjusting Screw.....        | 70518     |
| K Hammer Screw.....                | 75512P    |

## Trigger Assembly - Ref. 36022



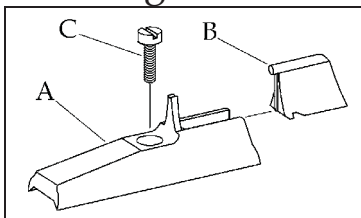
| Description                        | Reference |
|------------------------------------|-----------|
| A Trigger Guard/Trigger Plate..... | 36023     |
| B Hammer.....                      | 60402-Z   |
| C Trigger Pin.....                 | 36020     |
| D Trigger Spring.....              | 36043     |

## Rear Sight - Ref. 36810-LU



| Description                               | Reference |
|---|-----------|
| A Rear Sight Base (Octagonal).....        | 36813     |
| B Elevator Base.....                      | 50614     |
| C Rear Sighting Blade.....                | 50615-LU  |
| D Luminous Insert.....                    | 50606     |
| E Windage Adjustment Locking Screw.....   | 50624     |
| G Hex. Nut (2).....                       | 50618     |
| F Elevation Adjustment Locking Screw..... | 50616     |
| H Rear Sight Mounting Screw (2).....      | 50622     |

## Front Sight - Ref. 36611-LU



| Description                         | Reference |
|-------------------------------------|-----------|
| A Front Sight Base (Octagonal)..... | M36611-LU |
| B Luminous Insert.....              | 36613     |
| C Front Sight Mounting Screw.....   | 50623     |

# TRADITIONS™

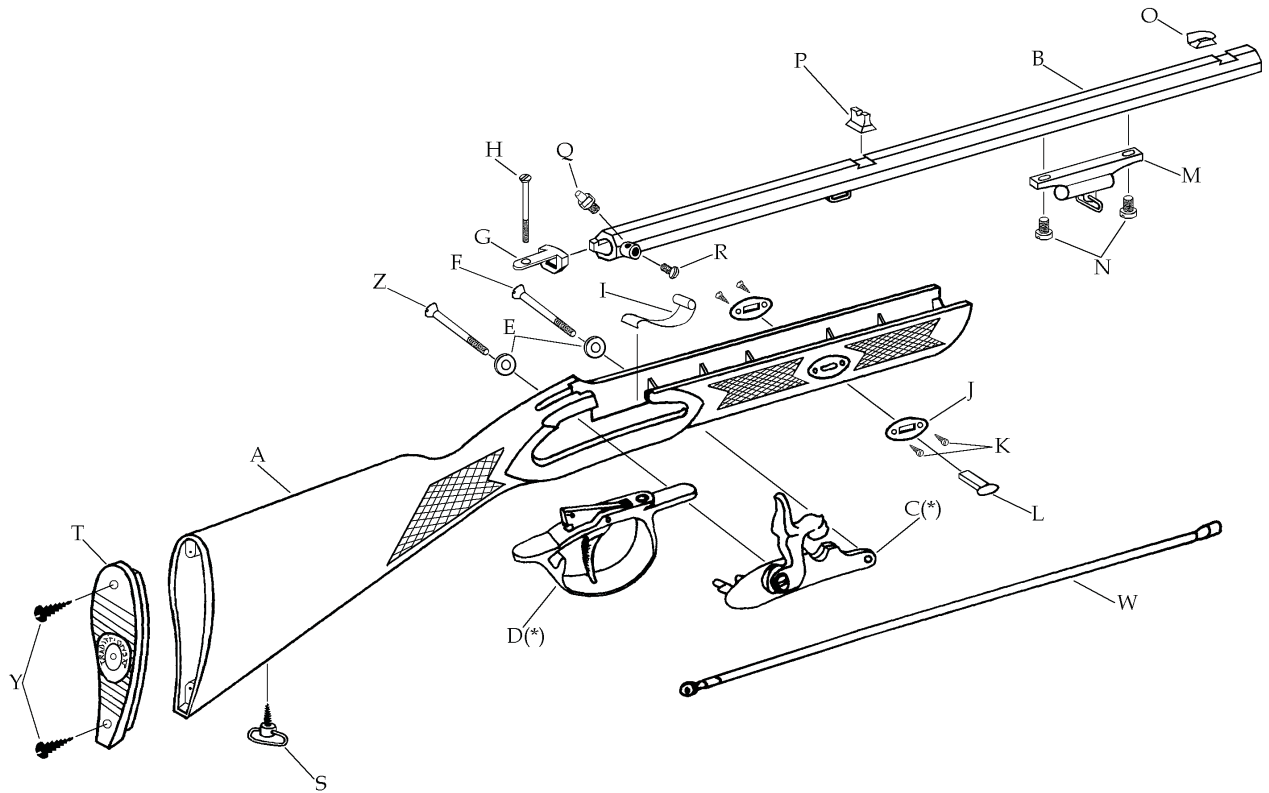
## Panther Rifle - Black Composite Stock -

Models: R-35808

.50 cal. perc. 1-48"  
Blued Barrel

R-35848

.54 cal. perc. 1-48"  
Blued Barrel

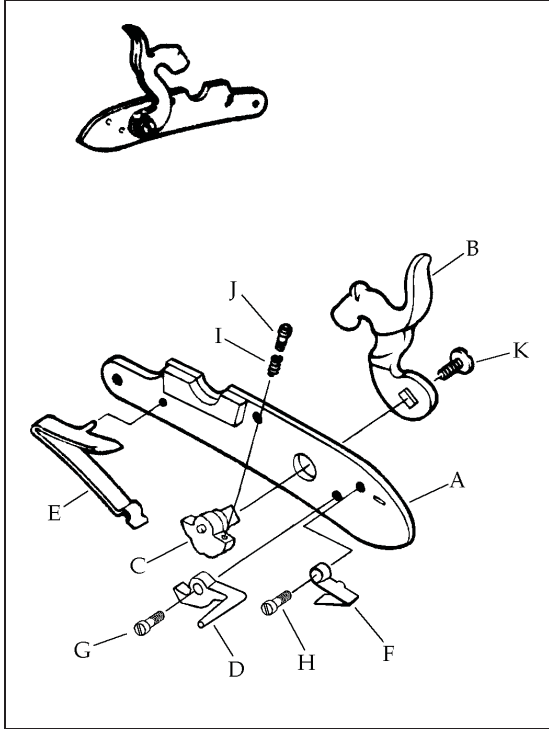


| Description                                       | Reference | Description                          | Reference |
|---|-----------|--------------------------------------|-----------|
| A Stock (Black Composite) (kit).....              | K-35001   | J Stock Plate (2).....               | 36016     |
| Stock (Black Composite) (Finished).....           | FCS35801  | K Stock Plate Screw (4).....         | 36017     |
| B Barrel Assembly (Kit) (Length 24")              |           | L Barrel Wedge.....                  | 22218-3   |
| .50 cal. perc. (twist 1-48").....                 | C-360080  | M Ramrod Thimble/Rib/Swivel.....     | 36013     |
| .54 cal. perc. (twist 1-48").....                 | C-360048  | N Thimble/Rib Screw (2).....         | 36014     |
| Barrel Assembly Blued (Finished) (Length 24")     |           | O Front Sight.....                   | 36011     |
| .50 cal. perc. (twist 1-48").....                 | FB360080  | P Rear Sight.....                    | 20210     |
| .54 cal. perc. (twist 1-48").....                 | FB360048  | Q Nipple Percussion Only.....        | 20608     |
| C Percussion Lock.....                            | 22203     | R Bolster Screw Percussion Only..... | 20605     |
| D Trigger/Trigger Guard Assembly (Blackened)..... | 36022     | S Stock Sling Swivel.....            | 25046     |
| E Lock Plate Washer (2).....                      | 22819     | T Buttpad.....                       | 35026     |
| F Lock Plate Screw (Front).....                   | 20620     | W Ramrod Assembly (Synthetic).....   | 36028N    |
| G Barrel Tang.....                                | 20606     | Y Buttpad Mounting Screw (2).....    | 20634     |
| H Tang Screw.....                                 | 20841     | Z Lock Plate Screw (Rear).....       | 20221     |
| I Ramrod Retaining Spring.....                    | 20621     |                                      |           |

(\* ) Exploded view at the reverse.

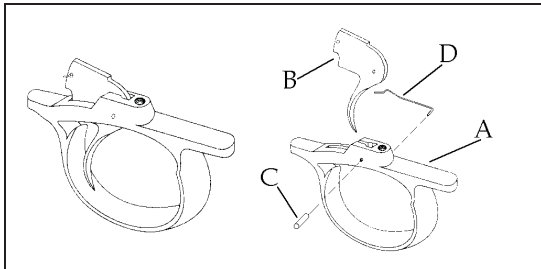
# TRADITIONS™

## Percussion Lock Assembly - Ref. 22203



|   | Description                      | Reference |
|---|----------------------------------|-----------|
| A | Lock Plate.....                  | 90201     |
| B | Hammer.....                      | 70602     |
| C | Tumbler.....                     | 70603     |
| D | Sear.....                        | 70504     |
| E | Mainspring.....                  | 70505     |
| F | Sear Spring.....                 | 70506     |
| G | Sear Screw.....                  | 70514     |
| H | Sear Spring Screw.....           | 70121     |
| I | Sear Adjusting Screw Spring..... | 70520     |
| J | Sear Adjusting Screw.....        | 70518     |
| K | Hammer Screw.....                | 75512P    |

## Trigger Assembly - Ref. 36022



|   | Description                      | Reference |
|---|----------------------------------|-----------|
| A | Trigger Guard/Trigger Plate..... | 36023     |
| B | Trigger.....                     | 60402-Z   |
| C | Trigger Pin.....                 | 36020     |
| D | Trigger Spring.....              | 36043     |

## Deerhunter Rifle

Models:

**R-36128101**  
 .32 cal. Perc. 1-48"  
 Blued Barrel

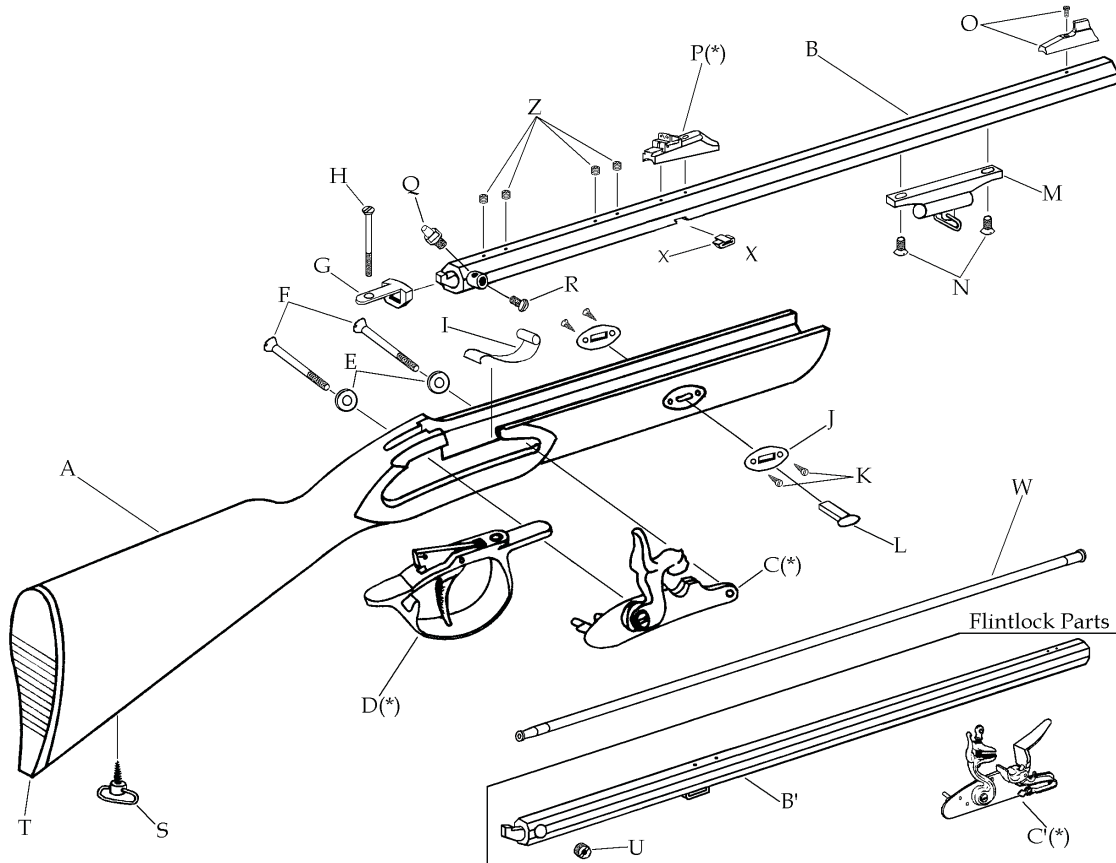
**Finished**

**R-3590801**  
 .50 cal. Flint. 1-48"  
 Blued Barrel No D&T

**R-36108101**  
 .50 cal. Perc. 1-48"  
 Blued Barrel

**Kit**

**KR-56108100**  
 .50 cal. Perc. 1-48"  
 White Barrel

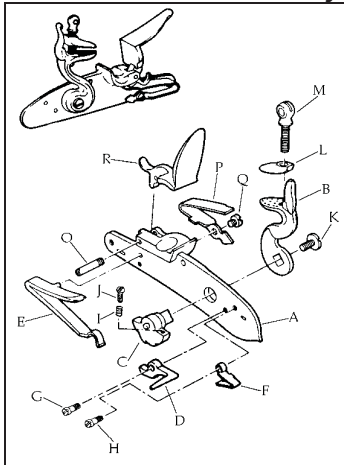


| Description   | Reference   | Description                                   | Reference |
|---|-------------|---|-----------|
| A Stock (Beech) (kit).....                            | K-36001     | G Barrel Tang.....                            | 20606     |
| Stock (Beech) (kit) cal. 32 Only.....                 | K-36101     | H Tang Screw.....                             | 20841     |
| Stock Beech (Flintlock) (Finished).....               | FCS35901    | I Ramrod Retaining Spring.....                | 20621     |
| Stock Beech (Percussion) (Finished).....              | FCS36001    | J Stock Plate (2).....                        | 36016     |
| Stock Beech (Percussion) (Finished) cal. 32 Only..... | FCS36101    | K Stock Plate Screw (4).....                  | 36017     |
| B Barrel Assembly (Kit) (Length 24")                  |             | L Barrel Wedge.....                           | 22218-3   |
| .32 cal. Perc. (twist 1-48").....                     | C-361280    | M Ramrod Thimble/Rib/Swivel.....              | 36013     |
| .50 cal. Perc. (twist 1-48").....                     | C-351080    | N Thimble/Rib Screw (2).....                  | 36014     |
| Barrel Assembly (Finished) (Length 24")               |             | O Front Sight (New Luminous).....             | 36611-LU  |
| .32 cal. Perc. Blued (twist 1-48").....               | FB361280-LU | P Rear Sight (New Luminous).....              | 36810-LU  |
| .50 cal. Perc. Blued (twist 1-48").....               | FB351080-LU | Q Nipple Percussion Only.....                 | 20608     |
| B' Barrel Assembly (Kit) (Length 24")                 |             | R Bolster Screw Percussion Only.....          | 20605     |
| .50 cal. Flint. (twist 1-48").....                    | C-350081    | S Stock Sling Swivel.....                     | 25046     |
| Barrel Assembly (Finished) (Length 24")               |             | T Rubber Buttpad.....                         | 25026     |
| .50 cal. Flint. Blued (twist 1-48").....              | FB350081-LU | U Touch Hole Insert -Flintlock Only.....      | 20534     |
| C Percussion Lock.....                                | 22203-O     | W Ramrod Assembly (Synthetic).....            | 36028M    |
| C' Flintlock.....                                     | 35903       | Ramrod Assembly (Aluminum) .32 cal. Only..... | 37028-A   |
| D Trigger/Trigger Guard Assembly (Blackened).....     | 36022       | X Barrel Tenon.....                           | 20533     |
| E Lock Plate Washer (2).....                          | 22819       | Z Plug Screw (4).....                         | 26029     |
| F Lock Plate Screw (2).....                           | 20620       |   |           |

(\*) Exploded view at the reverse.

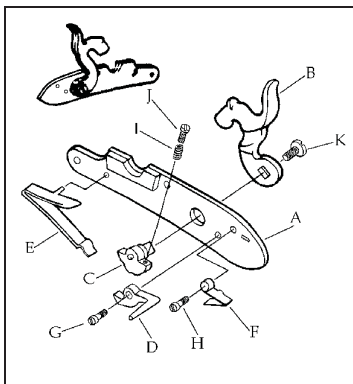
# TRADITIONS™

## Flintlock Assembly - Ref. 35903



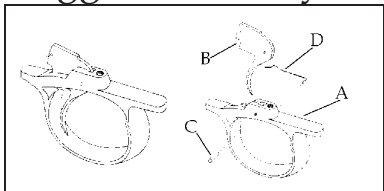
| Description                        | Reference |
|------------------------------------|-----------|
| A Lock Plate.....                  | 90101     |
| B Hammer.....                      | 70302     |
| C Tumbler.....                     | 70603     |
| D Sear.....                        | 70504     |
| E Mainspring.....                  | 70505     |
| F Sear Spring.....                 | 70506     |
| G Sear Screw.....                  | 70514     |
| H Sear Spring Screw.....           | 70121     |
| I Sear Adjusting Screw Spring..... | 70520     |
| J Sear Adjusting Screw.....        | 70518     |
| K Hammer Screw.....                | 75512P    |
| L Top Jaw.....                     | 70309     |
| M Top Jaw Screw.....               | 70513L    |
| O Frizzen Screw.....               | 70516     |
| P Frizzen Spring.....              | 70519     |
| Q Frizzen Spring Screw.....        | 70517     |
| R Frizzen.....                     | 70507     |

## Percussion Lock - Ref. 22203-O



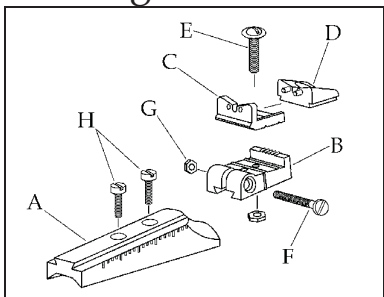
| Description                        | Reference |
|------------------------------------|-----------|
| A Lock Plate.....                  | 90201     |
| B Hammer.....                      | 70602-O   |
| C Tumbler.....                     | 70603     |
| D Sear.....                        | 70504     |
| E Mainspring.....                  | 70505     |
| F Sear Spring.....                 | 70506     |
| G Sear Screw.....                  | 70514     |
| H Sear Spring Screw.....           | 70121     |
| I Sear Adjusting Screw Spring..... | 70520     |
| J Sear Adjusting Screw.....        | 70518     |
| K Hammer Screw.....                | 75512P    |

## Trigger Assembly - Ref. 36022



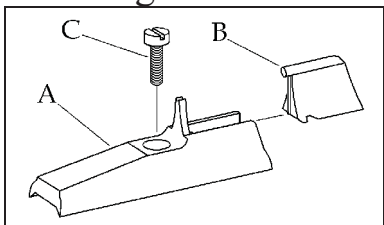
| Description                        | Reference |
|------------------------------------|-----------|
| A Trigger Guard/Trigger Plate..... | 36023     |
| B Trigger.....                     | 60402-Z   |
| C Trigger Pin.....                 | 36020     |
| D Trigger Spring.....              | 36043     |

## Rear Sight - Ref. 36810-LU



| Description                               | Reference |
|---|-----------|
| A Rear Sight Base (Round).....            | 36813     |
| B Elevator Base.....                      | 50614     |
| C Rear Sighting Blade.....                | 50615-LU  |
| D Luminous Insert.....                    | 50606     |
| E Windage Adjustment Locking Screw.....   | 50624     |
| F Hex. Nut (2).....                       | 50618     |
| G Elevation Adjustment Locking Screw..... | 50616     |
| H Rear Sight Mounting Screw (2).....      | 50622     |

## Front Sight - Ref. 36611-LU

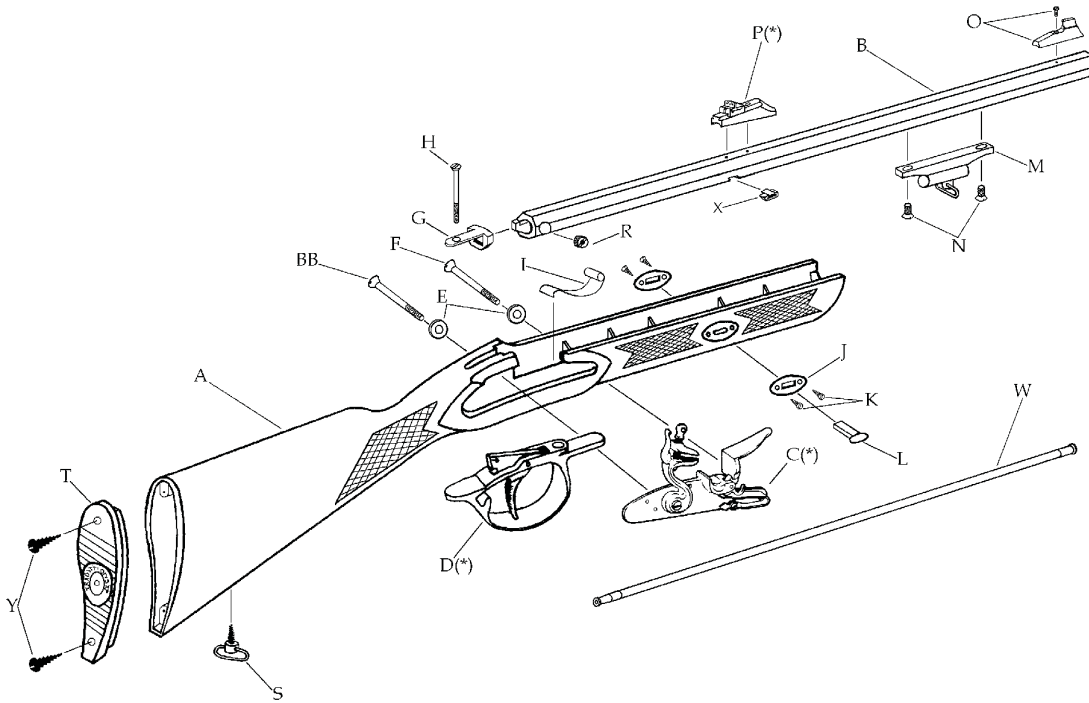


| Description                       | Reference |
|-----------------------------------|-----------|
| A Front Sight Base (Round).....   | M36611-LU |
| B Luminous Insert.....            | 36613     |
| C Front Sight Mounting Screw..... | 50623     |

**Deerhunter Rifle - New Luminous Sights -  
Models:**

**R-3670850**

.50 cal. Flint. 1-48"  
C-Nickel Barrel No D&T

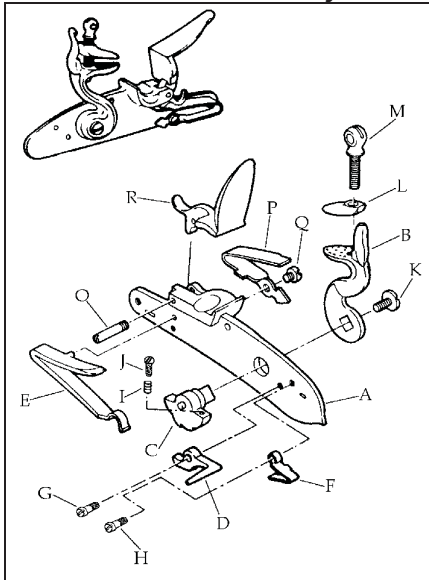


| Description                                       | Reference   | Description                           | Reference |
|---|-------------|---------------------------------------|-----------|
| A Stock (AW Composite) (kit).....                 | K-35001     | K Stock Plate Screw (4).....          | 36017     |
| Stock (AW Composite) (Finished) (Flintlock).....  | FCS36701    | L Barrel Wedge.....                   | 22218-3   |
| B Barrel Assembly (Kit) (Length 24")              |             | M Ramrod Thimble/Rib/Swivel.....      | 36013     |
| .50 cal. flint. (twist 1-48") No D&T.....         | C-367080    | N Thimble/Rib Screw (2).....          | 36014     |
| Barrel Assembly C-Nickel (Finished) (Length 24")  |             | O Front Sight (New Luminous).....     | 36611-LU  |
| .50 cal. flint. (twist 1-48") No D&T.....         | FB367081-LU | P Rear Sight (New Luminous).....      | 36810-LU  |
| C Flintlock.....                                  | 35903N      | S Stock Sling Swivel.....             | 25046     |
| D Trigger/Trigger Guard Assembly (Blackened)..... | 36022       | T Buttpad.....                        | 35026     |
| E Lock Plate Washer (2) (C-Nickel).....           | 22819N      | U Touch Hole Insert -Flintlock -..... | 20534     |
| F Lock Plate Screw (Front).....                   | 20620       | W Ramrod Assembly (Synthetic).....    | 37428N    |
| G Barrel Tang.....                                | 20606N      | X Barrel Tenon.....                   | 20533     |
| H Tang Screw.....                                 | 20841       | Y Buttpad Mounting Screw (2).....     | 20634     |
| I Ramrod Retaining Spring.....                    | 20621       | BB Lock Plate Screw (Rear).....       | 20221     |
| J Stock Plate (2).....                            | 36016N      |                                       |           |

(\*) Exploded view at the reverse.

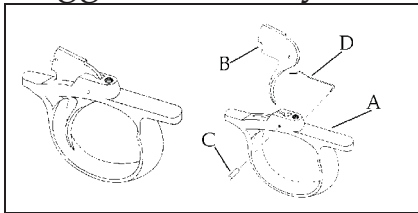
# TRADITIONS™

## Flintlock Assembly - Ref. 35903N



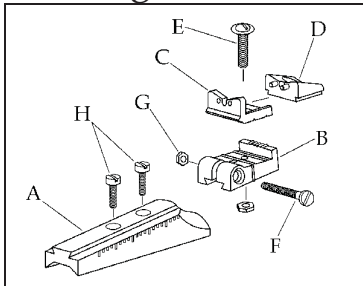
|   | Description                      | Reference |
|---|----------------------------------|-----------|
| A | Lock Plate.....                  | 90101N    |
| B | Hammer.....                      | 70302N    |
| C | Tumbler.....                     | 70603     |
| D | Sear.....                        | 70504     |
| E | Mainspring.....                  | 70505     |
| F | Sear Spring.....                 | 70506     |
| G | Sear Screw.....                  | 70514     |
| H | Sear Spring Screw.....           | 70121     |
| I | Sear Adjusting Screw Spring..... | 70520     |
| J | Sear Adjusting Screw.....        | 70518     |
| K | Hammer Screw.....                | 75512P    |
| L | Top Jaw.....                     | 70309N    |
| M | Top Jaw Screw.....               | 70513L    |
| O | Frizzen Screw.....               | 70516     |
| P | Frizzen Spring.....              | 70519     |
| Q | Frizzen Spring Screw.....        | 70517     |
| R | Frizzen.....                     | 70507     |

## Trigger Assembly - Ref. 36022



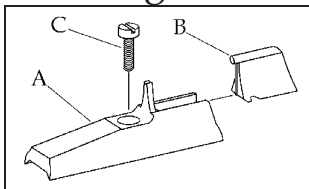
|   | Description                      | Reference |
|---|----------------------------------|-----------|
| A | Trigger Guard/Trigger Plate..... | 36023     |
| B | Trigger.....                     | 60402-Z   |
| C | Trigger Pin.....                 | 36020     |
| D | Trigger Spring.....              | 36043     |

## Rear Sight - Ref. 36810-LU



|   | Description                             | Reference |
|---|---|-----------|
| A | Rear Sight Base (Octagonal).....        | 36813     |
| B | Elevator Base.....                      | 50614     |
| C | Rear Sighting Blade.....                | 50615-LU  |
| D | Luminous Insert.....                    | 50606     |
| E | Windage Adjustment Locking Screw.....   | 50624     |
| G | Hex. Nut (2).....                       | 50618     |
| F | Elevation Adjustment Locking Screw..... | 50616     |
| H | Rear Sight Mounting Screw (2).....      | 50622     |

## Front Sight - Ref. 36611-LU

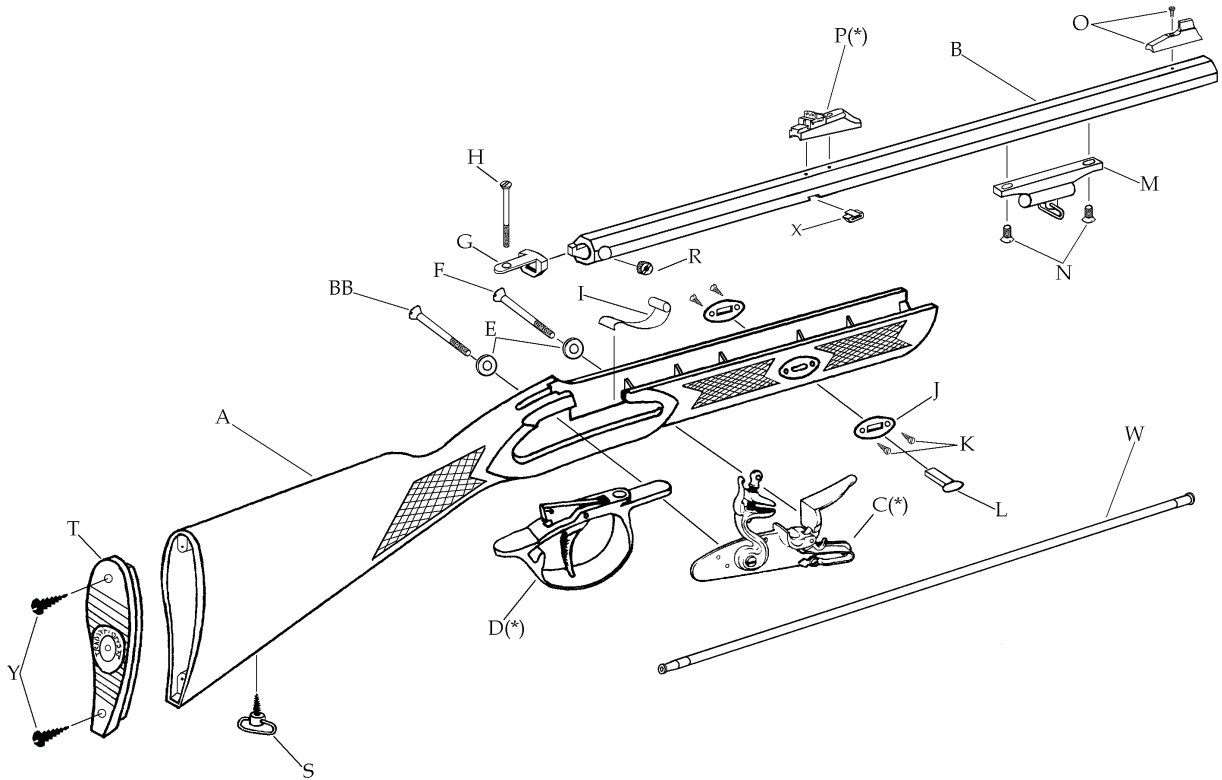


|   | Description                       | Reference |
|---|-----------------------------------|-----------|
| A | Front Sight Base (Octagonal)..... | M36611-LU |
| B | Luminous Insert.....              | 36613     |
| C | Front Sight Mounting Screw.....   | 50623     |



**Deerhunter Rifle - New Luminous Sights/ Advantage Camo Stock - Models:**

**R-3670852**  
 .50 cal. Flint. 1-48"  
 C-Nickel Barrel No D&T

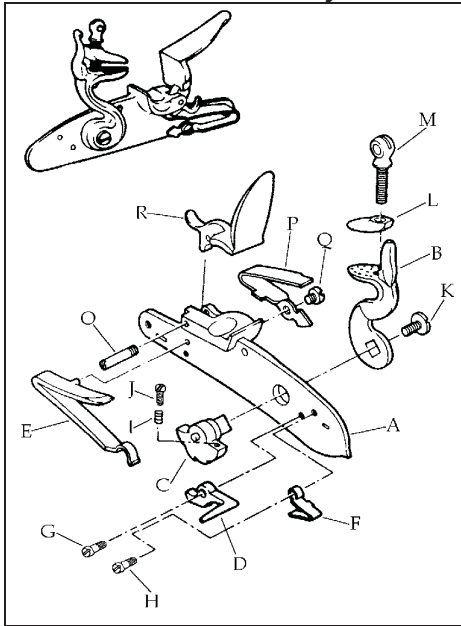


| Description   | Reference   | Description                                 | Reference |
|---|-------------|---|-----------|
| A Stock (AW Composite) (kit).....   | K-35001     | K Stock Plate Screw (4).....                | 36017     |
| Stock (Advantage Camo) (Finished) (Flintlock).....  | FCS367012   | L Barrel Wedge.....                         | 22218-3   |
| B Barrel Assembly (Kit) (Length 24")<br>.50 cal. Flint. (twist 1-48") No D&T.....             | C-367080    | M Ramrod Thimble/Rib/Swivel.....            | 36013     |
| Barrel Assembly (Finished) (Length 24")<br>.50 cal. Flint. C-Nickel (twist 1-48") No D&T..... | FB367081-LU | N Thimble/Rib Screw (2).....                | 36014     |
| C Flintlock.....  | 35903N      | O Front Sight (New Luminous).....           | 36611-LU  |
| D Trigger/Trigger Guard Assembly (Blackened).....   | 36022       | P Rear Sight (New Luminous).....            | 36810-LU  |
| E Lock Plate Washer (2).....  | 22819N      | Q Nipple Percussion Only.....               | 20608     |
| F Lock Plate Screw (Front).....   | 20620       | S Stock Sling Swivel.....                   | 25046     |
| G Barrel Tang.....  | 20606N      | T Buttpad.....                              | 35026     |
| H Tang Screw.....   | 20841       | U Touch Hole Insert -Flintlock -.....       | 20534     |
| I Ramrod Retaining Spring.....  | 20621       | W Ramrod Assembly (Synthetic) (C-Nickel)... | 37428N    |
| J Stock Plate (2).....  | 36016N      | X Barrel Tenon.....                         | 20533     |
|   |             | Y Buttpad Mounting Screw (2).....           | 20634     |
|   |             | BB Lock Plate Screw (Rear).....             | 20221     |

(\*) Exploded view at the reverse.

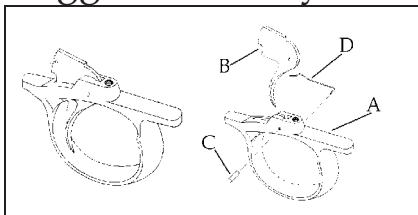
# TRADITIONS™

## Flintlock Assembly - Ref. 35903N



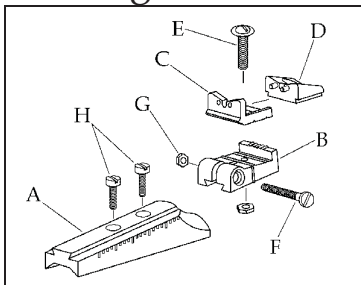
| Description                        | Reference |
|------------------------------------|-----------|
| A Lock Plate.....                  | 90101N    |
| B Hammer.....                      | 70302N    |
| C Tumbler.....                     | 70603     |
| D Sear.....                        | 70504     |
| E Mainspring.....                  | 70505     |
| F Sear Spring.....                 | 70506     |
| G Sear Screw.....                  | 70514     |
| H Sear Spring Screw.....           | 70121     |
| I Sear Adjusting Screw Spring..... | 70520     |
| J Sear Adjusting Screw.....        | 70518     |
| K Hammer Screw.....                | 75512P    |
| L Top Jaw.....                     | 70309N    |
| M Top Jaw Screw.....               | 70513L    |
| O Frizzen Screw.....               | 70516     |
| P Frizzen Spring.....              | 70519     |
| Q Frizzen Spring Screw.....        | 70517     |
| R Frizzen.....                     | 70507     |

## Trigger Assembly - Ref. 36022



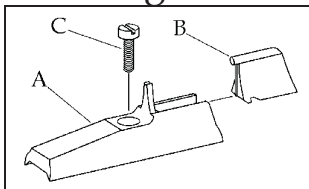
| Description                        | Reference |
|------------------------------------|-----------|
| A Trigger Guard/Trigger Plate..... | 36023     |
| B Trigger.....                     | 60402-Z   |
| C Trigger Pin.....                 | 36020     |
| D Trigger Spring.....              | 36043     |

## Rear Sight - Ref. 36810-LU



| Description                               | Reference |
|---|-----------|
| A Rear Sight Base (Octagonal).....        | 36813     |
| B Elevator Base.....                      | 50614     |
| C Rear Sighting Blade.....                | 50615-LU  |
| D Luminous Insert.....                    | 50606     |
| E Windage Adjustment Locking Screw.....   | 50624     |
| G Hex. Nut (2).....                       | 50618     |
| F Elevation Adjustment Locking Screw..... | 50616     |
| H Rear Sight Mounting Screw (2).....      | 50622     |

## Front Sight - Ref. 36611-LU

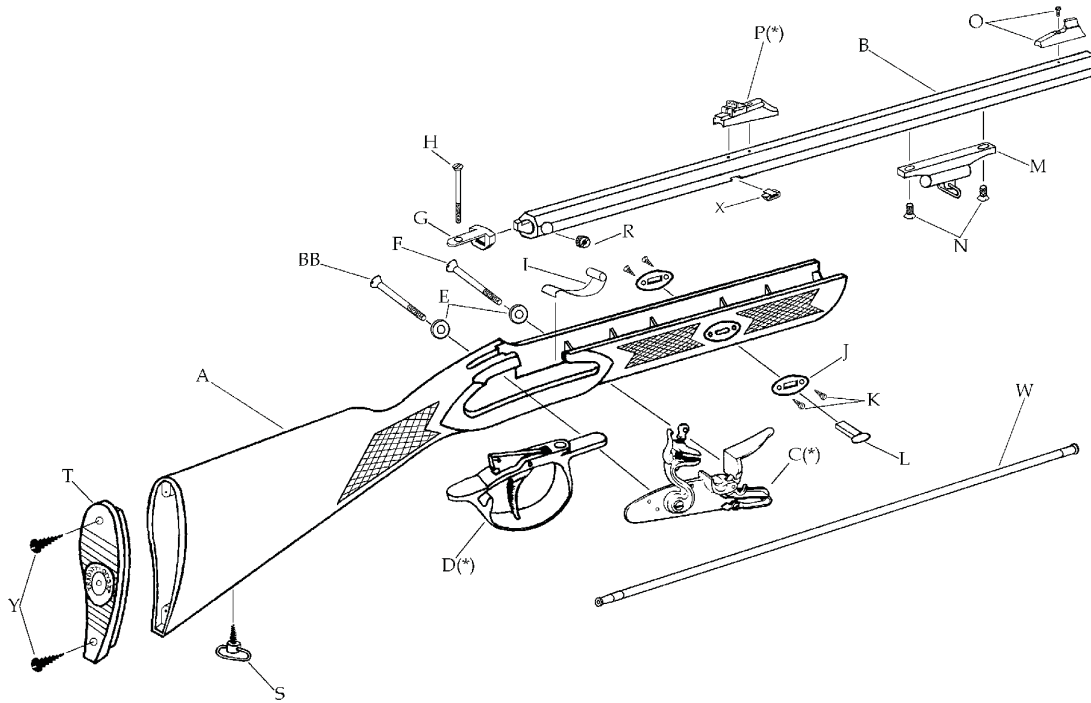


| Description                         | Reference |
|-------------------------------------|-----------|
| A Front Sight Base (Octagonal)..... | M36611-LU |
| B Luminous Insert.....              | 36613     |
| C Front Sight Mounting Screw.....   | 50623     |

**Deerhunter Rifle -Lite Optic Sights - Spider Stock -  
Models:**

**R-3670853**

.50 cal. Flint. 1-48"  
C-Nickel Barrel

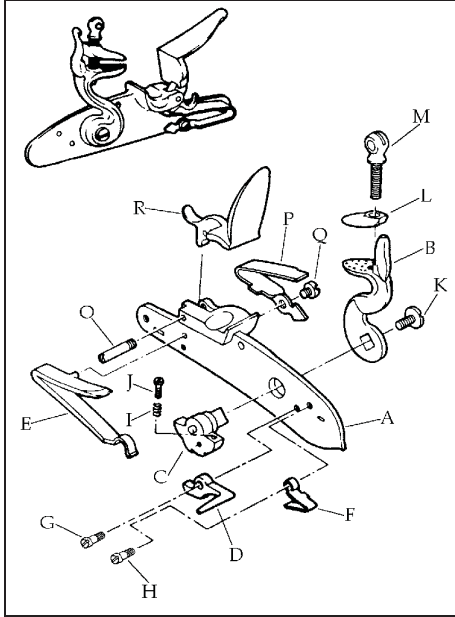


| Description  | Reference   | Description                               | Reference |
|--|-------------|---|-----------|
| A Stock (AW Synthetic) (kit).....  | K-35001     | K Stock Plate Screw (4).....              | 36017     |
| Stock (Spider) (C-Nickel) (Finished).....  | FCS367013   | L Barrel Wedge.....                       | 22218-3   |
| B Barrel Assembly (Kit) (Length 24")<br>.50 cal. Flint. (twist 1-48").....             | C-367080    | M Ramrod Thimble/Rib/Swivel.....          | 36013     |
| Barrel Assembly (Finished) (Length 24")<br>.50 cal. Flint. C-Nickel (twist 1-48")..... | FB367081-LU | N Thimble/Rib Screw (2).....              | 36014     |
| C Flintlock (C-Nickel).....  | 35903N      | O Front Sight (New Luminous).....         | 36611-LU  |
| D Trigger/Trigger Guard Assembly (Blackened).....                                      | 36022       | P Rear Sight (New Luminous).....          | 36810-LU  |
| E Lock Plate Washer (2).....   | 22819       | R Touch Hole Insert -Flintlock Only-..... | 20534     |
| F Lock Plate Screw (Front).....  | 20620       | S Stock Sling Swivel.....                 | 25046     |
| G Barrel Tang.....   | 20606       | T Buttpad.....                            | 35026     |
| H Tang Screw.....  | 20841       | W Ramrod Assembly (Synthetic).....        | 36028N    |
| I Ramrod Retaining Spring.....   | 20621       | X Barrel Tenon.....                       | 20533     |
| J Stock Plate (2).....   | 36016       | Y Buttpad Mounting Screw (2).....         | 20634     |
|  |             | BB Lock Plate Screw (Rear).....           | 20221     |

(\*) Exploded view at the reverse.

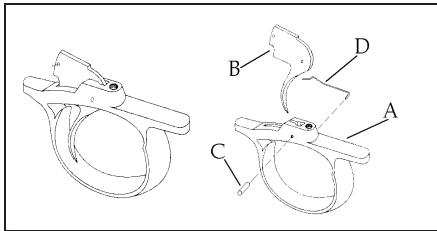
# TRADITIONS™

## Flintlock Assembly - Ref. 35903N



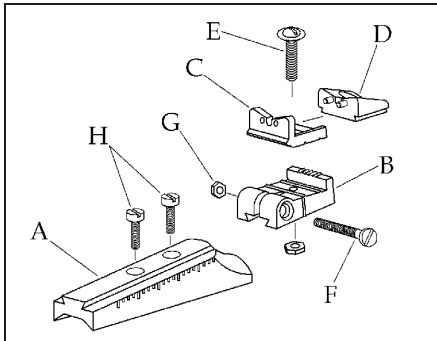
| Description                        | Reference |
|------------------------------------|-----------|
| A Lock Plate.....                  | 90101N    |
| B Hammer.....                      | 70302N    |
| C Tumbler.....                     | 70603     |
| D Sear.....                        | 70504     |
| E Mainspring.....                  | 70505     |
| F Sear Spring.....                 | 70506     |
| G Sear Screw.....                  | 70514     |
| H Sear Spring Screw.....           | 70121     |
| I Sear Adjusting Screw Spring..... | 70520     |
| J Sear Adjusting Screw.....        | 70518     |
| K Hammer Screw.....                | 75512P    |
| L Top Jaw.....                     | 70309N    |
| M Top Jaw Screw.....               | 70513L    |
| O Frizzen Screw.....               | 70516     |
| P Frizzen Spring.....              | 70519     |
| Q Frizzen Spring Screw.....        | 70517     |
| R Frizzen.....                     | 70507     |

## Trigger Assembly - Ref. 36022



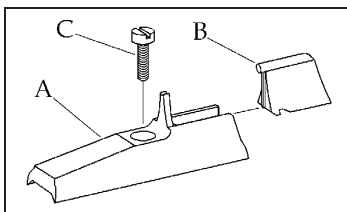
| Description                        | Reference |
|------------------------------------|-----------|
| A Trigger Guard/Trigger Plate..... | 36023     |
| B Trigger.....                     | 60402-Z   |
| C Trigger Pin.....                 | 36020     |
| D Trigger Spring.....              | 36043     |

## New Luminous Rear Sight - Ref. 36810-LU



| Description                               | Reference |
|---|-----------|
| A Rear Sight Base (Octagonal).....        | 36813     |
| B Elevator Base.....                      | 50614     |
| C Rear Sighting Blade.....                | 50615-LU  |
| D Luminous Insert.....                    | 50606     |
| E Windage Adjustment Locking Screw.....   | 50624     |
| G Hex. Nut (2).....                       | 50618     |
| F Elevation Adjustment Locking Screw..... | 50616     |
| H Rear Sight Mounting Screw (2).....      | 50622     |

## New Luminous Front Sight - Ref. 36611-LU

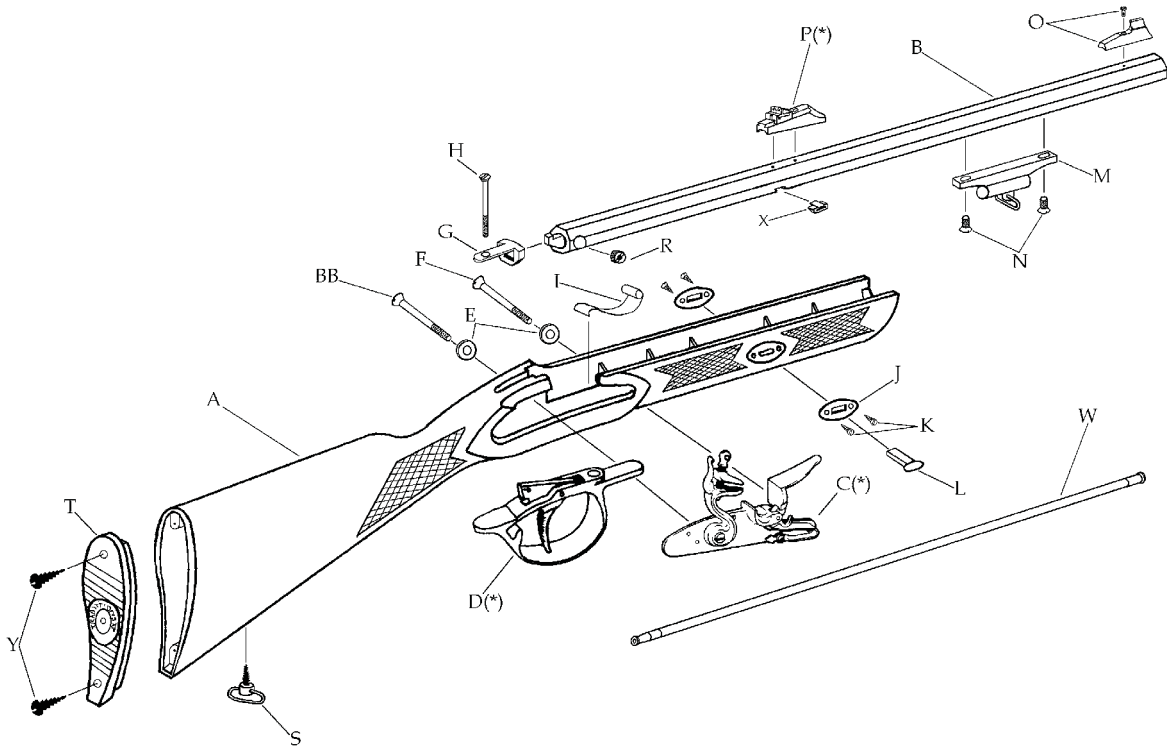


| Description                         | Reference |
|-------------------------------------|-----------|
| A Front Sight Base (Octagonal)..... | M36611-LU |
| B Luminous Insert.....              | 36613     |
| C Front Sight Mounting Screw.....   | 50623     |

**Deerhunter Rifle - New Luminous Sights/Break-Up Camo Stock - Models:**

**R-3670855**

.50 cal. Flint. 1-48"  
C-Nickel Barrel No D&T

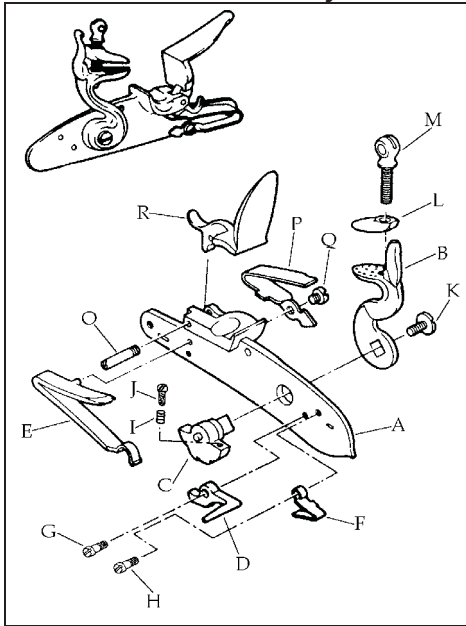


| Description  | Reference   | Description                               | Reference |
|--|-------------|---|-----------|
| A Stock (AW Composite) (kit).....                  | K-35001     | K Stock Plate Screw (4).....              | 36017     |
| Stock (Break Up Camo) (Finished) (Flintlock).....  | FCS367015   | L Barrel Wedge.....                       | 22218-3   |
| B Barrel Assembly (Kit) (Length 24")               |             | M Ramrod Thimble/Rib/Swivel.....          | 36013     |
| .50 cal. Flint. (twist 1-48") No D&T.....          | C-367080    | N Thimble/Rib Screw (2).....              | 36014     |
| Barrel Assembly (Finished) (Length 24")            |             | O Front Sight (New Luminous).....         | 36611-LU  |
| .50 cal. Flint. C-Nickel (twist 1-48") No D&T..... | FB367081-LU | P Rear Sight (New Luminous).....          | 36810-LU  |
| C Flintlock.....                                   | 35903N      | R Touch Hole Insert -Flintlock Only-..... | 20534     |
| D Trigger/Trigger Guard Assembly (Blackened).....  | 36022       | S Stock Sling Swivel.....                 | 25046     |
| E Lock Plate Washer (2) (C-Nickel).....            | 22819N      | T Buttpad.....                            | 35026     |
| F Lock Plate Screw (Front).....                    | 20620       | W Ramrod Assembly (Synthetic).....        | 37428N    |
| G Barrel Tang (C-Nickel).....                      | 20606N      | X Barrel Tenon.....                       | 20533     |
| H Tang Screw.....                                  | 20841       | Y Buttpad Mounting Screw (2).....         | 20634     |
| I Ramrod Retaining Spring.....                     | 20621       | BB Lock Plate Screw (Rear).....           | 20221     |
| J Stock Plate (2) (C-Nickel).....                  | 36016N      |   |           |

(\*) Exploded view at the reverse.

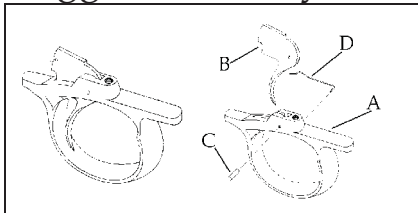
# TRADITIONS™

## Flintlock Assembly - Ref. 35903N



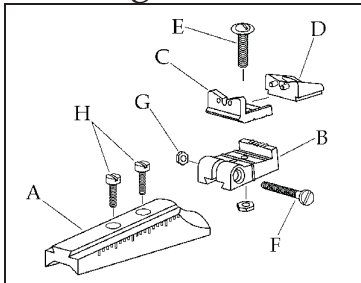
|   | Description                      | Reference |
|---|----------------------------------|-----------|
| A | Lock Plate.....                  | 90101N    |
| B | Hammer.....                      | 70302N    |
| C | Tumbler.....                     | 70603     |
| D | Sear.....                        | 70504     |
| E | Mainspring.....                  | 70505     |
| F | Sear Spring.....                 | 70506     |
| G | Sear Screw.....                  | 70514     |
| H | Sear Spring Screw.....           | 70121     |
| I | Sear Adjusting Screw Spring..... | 70520     |
| J | Sear Adjusting Screw.....        | 70518     |
| K | Hammer Screw.....                | 75512P    |
| L | Top Jaw.....                     | 70309N    |
| M | Top Jaw Screw.....               | 70513L    |
| O | Frizzen Screw.....               | 70516     |
| P | Frizzen Spring.....              | 70519     |
| Q | Frizzen Spring Screw.....        | 70517     |
| R | Frizzen.....                     | 70507     |

## Trigger Assembly - Ref. 36022



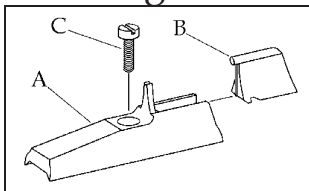
|   | Description                      | Reference |
|---|----------------------------------|-----------|
| A | Trigger Guard/Trigger Plate..... | 36023     |
| B | Trigger.....                     | 60402-Z   |
| C | Trigger Pin.....                 | 36020     |
| D | Trigger Spring.....              | 36043     |

## Rear Sight - Ref. 36810-LU



|   | Description                             | Reference |
|---|---|-----------|
| A | Rear Sight Base (Octagonal).....        | 36813     |
| B | Elevator Base.....                      | 50614     |
| C | Rear Sighting Blade.....                | 50615-LU  |
| D | Luminous Insert.....                    | 50606     |
| E | Windage Adjustment Locking Screw.....   | 50624     |
| G | Hex. Nut (2).....                       | 50618     |
| F | Elevation Adjustment Locking Screw..... | 50616     |
| H | Rear Sight Mounting Screw (2).....      | 50622     |

## Front Sight - Ref. 36611-LU



|   | Description                       | Reference |
|---|-----------------------------------|-----------|
| A | Front Sight Base (Octagonal)..... | M36611-LU |
| B | Luminous Insert.....              | 36613     |
| C | Front Sight Mounting Screw.....   | 50623     |

**Deerhunter Rifle - New Luminous Sights -**

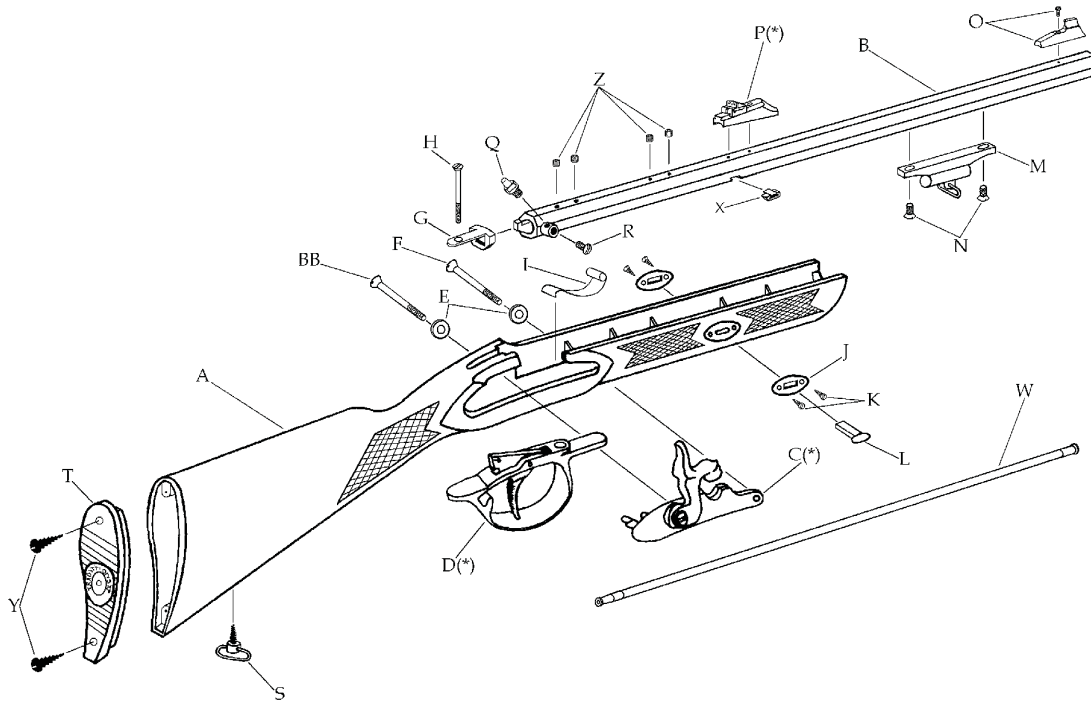
**Models:**

**R-36808150**

**R-36848150**

.50 cal. Perc. 1-48"  
C-Nickel Barrel

.54 cal. Perc. 1-48"  
C-Nickel Barrel

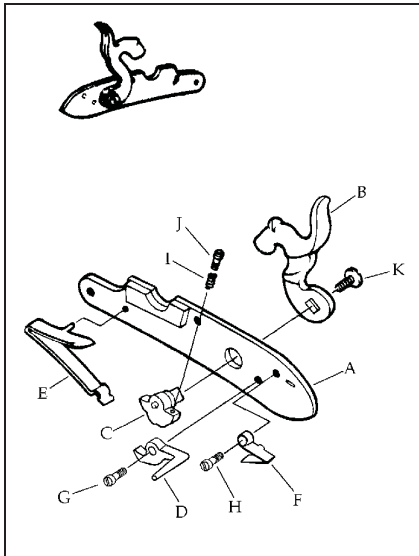


| Description                                       | Reference   | Description                           | Reference |
|---|-------------|---------------------------------------|-----------|
| A Stock (AW Composite) (kit).....                 | K-35001     | K Stock Plate Screw (4).....          | 36017     |
| Stock (AW Composite) (Finished) (Percussion)..... | FCS36801    | L Barrel Wedge.....                   | 22218-3   |
| B Barrel Assembly (Kit) (Length 24")              |             | M Ramrod Thimble/Rib/Swivel.....      | 36013     |
| .50 cal. perc. (twist 1-48").....                 | C-368081    | N Thimble/Rib Screw (2).....          | 36014     |
| .54 cal. perc. (twist 1-48").....                 | C-368480    | O Front Sight (New Luminous).....     | 36611-LU  |
| Barrel Assembly C-Nickel (Finished) (Length 24")  |             | P Rear Sight (New Luminous).....      | 36810-LU  |
| .50 cal. perc. (twist 1-48").....                 | FB368081-LU | Q Nipple Percussion Only.....         | 20608     |
| .54 cal. perc. (twist 1-48").....                 | FB368480-LU | R Bolster Screw Percussion Only.....  | 20605     |
| C Percussion Lock (C-Nickel).....                 | 36103-N     | S Stock Sling Swivel.....             | 25046     |
| D Trigger/Trigger Guard Assembly (Blackened)..... | 36022       | T Buttpad.....                        | 35026     |
| E Lock Plate Washer (2) (C-Nickel).....           | 22819N      | W Ramrod Assembly (Synthetic).....    | 37428N    |
| F Lock Plate Screw (Front).....                   | 20620       | X Barrel Tenon.....                   | 20533     |
| G Barrel Tang.....                                | 20606N      | Y Buttpad Mounting Screw (2).....     | 20634     |
| H Tang Screw.....                                 | 20841       | Z Plug Screw (4) Percussion Only..... | 26029     |
| I Ramrod Retaining Spring.....                    | 20621       | BB Lock Plate Screw (Rear).....       | 20221     |
| J Stock Plate (2).....                            | 36016N      |                                       |           |

(\*) Exploded view at the reverse.

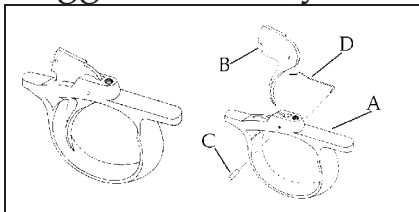
# TRADITIONS™

## Percussion Lock - Ref. 36103-N



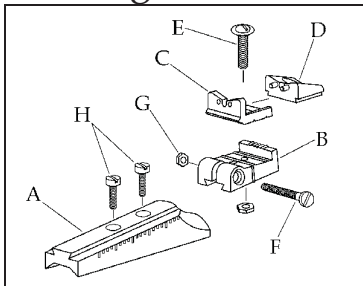
| Description                        | Reference |
|------------------------------------|-----------|
| A Lock Plate.....                  | 90201N    |
| B Hammer.....                      | 70602NO   |
| C Tumbler.....                     | 70603     |
| D Sear.....                        | 70504     |
| E Mainspring.....                  | 70505     |
| F Sear Spring.....                 | 70506     |
| G Sear Screw.....                  | 70514     |
| H Sear Spring Screw.....           | 70121     |
| I Sear Adjusting Screw Spring..... | 70520     |
| J Sear Adjusting Screw.....        | 70518     |
| K Hammer Screw.....                | 75512P    |

## Trigger Assembly - Ref. 36022



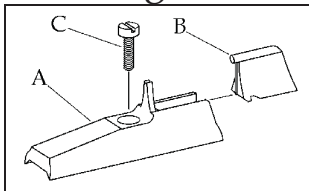
| Description                        | Reference |
|------------------------------------|-----------|
| A Trigger Guard/Trigger Plate..... | 36023     |
| B Trigger.....                     | 60402-Z   |
| C Trigger Pin.....                 | 36020     |
| D Trigger Spring.....              | 36043     |

## Rear Sight - Ref. 36810-LU



| Description                               | Reference |
|---|-----------|
| A Rear Sight Base (Octagonal).....        | 36813     |
| B Elevator Base.....                      | 50614     |
| C Rear Sighting Blade.....                | 50615-LU  |
| D Luminous Insert.....                    | 50606     |
| E Windage Adjustment Locking Screw.....   | 50624     |
| G Hex. Nut (2).....                       | 50618     |
| F Elevation Adjustment Locking Screw..... | 50616     |
| H Rear Sight Mounting Screw (2).....      | 50622     |

## Front Sight - Ref. 36611-LU

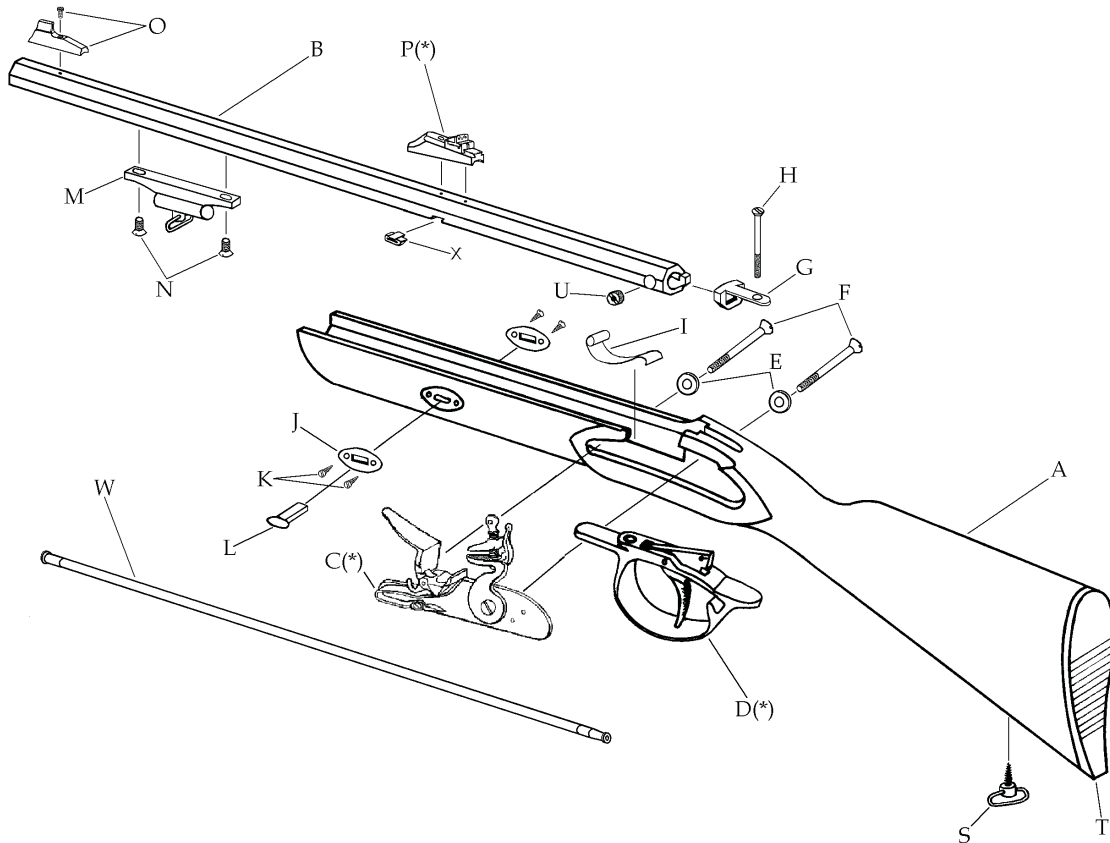


| Description                         | Reference |
|-------------------------------------|-----------|
| A Front Sight Base (Octagonal)..... | M36611-LU |
| B Luminous Insert.....              | 36613     |
| C Front Sight Mounting Screw.....   | 50623     |



**Deerhunter Left-Handed Rifle - New Luminous Sights -  
Model:**

**R-3690801**  
.50 cal. Flint. 1-48"  
Blued Barrel

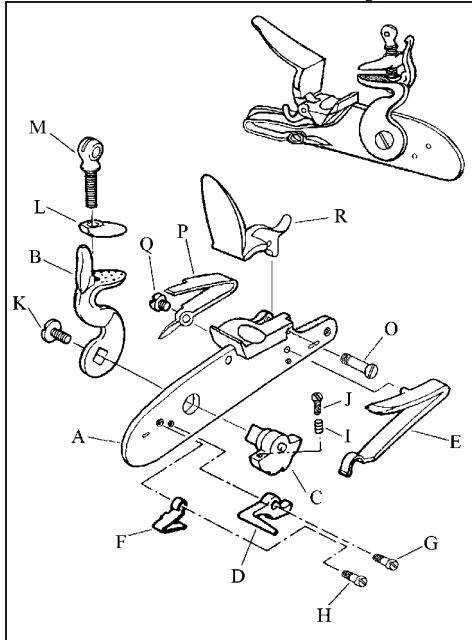


| Description                                       | Reference | Description                               | Reference |
|---|-----------|---|-----------|
| A Stock (Beech) (kit).....                        | K-36002   | J Stock Plate (2).....                    | 36016     |
| Stock Beech (Flintlock) (Finished).....           | FCS36002  | K Stock Plate Screw (4).....              | 36017     |
| B Barrel Assembly (Kit) (Length 24")              |           | L Barrel Wedge.....                       | 22218-3   |
| .50 cal. Flint. (twist 1-48").....                | C-369080  | M Ramrod Thimble/Rib/Swivel.....          | 36013     |
| Barrel Assembly (Finished) (Length 24")           |           | N Thimble/Rib Screw (2).....              | 36014     |
| .50 cal. Flint. Blued (twist 1-48").....          | FB369080  | O Front Sight (New Luminous).....         | 36611-LU  |
| C Flintlock.....                                  | 46903     | P Rear Sight (New Luminous).....          | 36810-LU  |
| D Trigger/Trigger Guard Assembly (Blackened)..... | 36022     | S Stock Sling Swivel.....                 | 25046     |
| E Lock Plate Washer (2).....                      | 22819     | T Rubber Buttpad.....                     | 25026     |
| F Lock Plate Screw (2).....                       | 20620     | U Touch Hole Insert -Flintlock Only-..... | 20534     |
| G Barrel Tang.....                                | 20606     | W Ramrod Assembly (Synthetic).....        | 36028M    |
| H Tang Screw.....                                 | 20841     | X Barrel Tenon.....                       | 20533     |
| I Ramrod Retaining Spring.....                    | 20621     |   |           |

(\* ) Exploded view at the reverse.

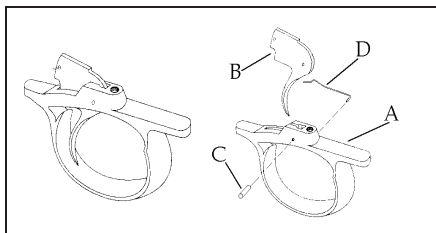
# TRADITIONS™

## Flintlock Assembly - Ref. 46903



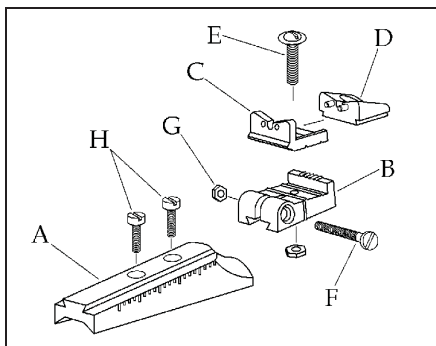
| Description                        | Reference |
|------------------------------------|-----------|
| A Lock Plate.....                  | 70620     |
| B Hammer.....                      | 70621     |
| C Tumbler.....                     | 70503-L   |
| D Sear.....                        | 70504-L   |
| E Mainspring.....                  | 70505-L   |
| F Sear Spring.....                 | 70506-L   |
| G Sear Screw.....                  | 70514     |
| H Sear Spring Screw.....           | 70121     |
| I Sear Adjusting Screw Spring..... | 70520     |
| J Sear Adjusting Screw.....        | 70518     |
| K Hammer Screw.....                | 75512P    |
| L Top Jaw.....                     | 70309     |
| M Top Jaw Screw.....               | 70513L    |
| O Frizzen Screw.....               | 70627     |
| P Frizzen Spring.....              | 70622     |
| Q Frizzen Spring Screw.....        | 70628     |
| R Frizzen.....                     | 70626     |

## Trigger Assembly - Ref. 36022



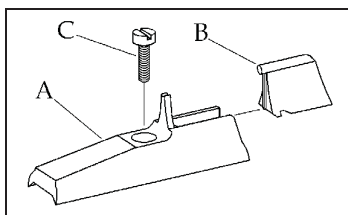
| Description                        | Reference |
|------------------------------------|-----------|
| A Trigger Guard/Trigger Plate..... | 36023     |
| B Trigger.....                     | 60402-Z   |
| C Trigger Pin.....                 | 36020     |
| D Trigger Spring.....              | 36043     |

## New Luminous Rear Sight - Ref. 36810-LU



| Description                               | Reference |
|---|-----------|
| A Rear Sight Base (Octagonal).....        | 36813     |
| B Elevator Base.....                      | 50614     |
| C Rear Sighting Blade.....                | 50615-LU  |
| D Luminous Insert.....                    | 50606     |
| E Windage Adjustment Locking Screw.....   | 50624     |
| G Hex. Nut (2).....                       | 50618     |
| F Elevation Adjustment Locking Screw..... | 50616     |
| H Rear Sight Mounting Screw (2).....      | 50622     |

## New Luminous Front Sight - Ref. 36611-LU



| Description                         | Reference |
|-------------------------------------|-----------|
| A Front Sight Base (Octagonal)..... | M36611-LU |
| B Luminous Insert.....              | 36613     |
| C Front Sight Mounting Screw.....   | 50623     |