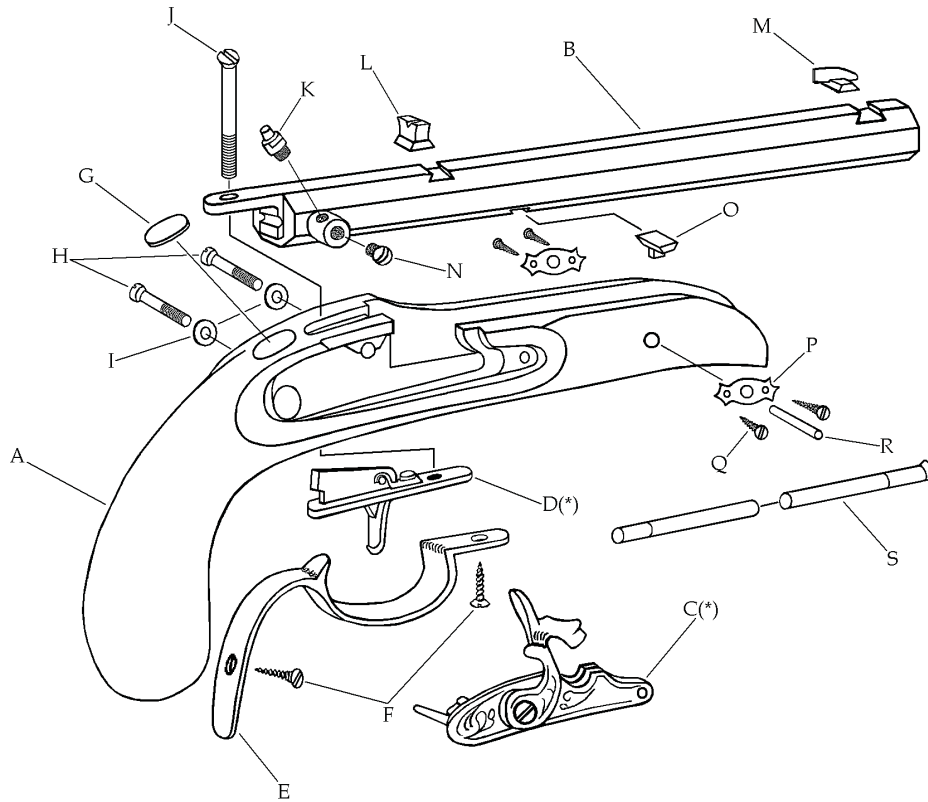


- Davy Crockett Pistol -
Models: P-12652
 .32 cal. perc. 1-48"
 Blued Barrel

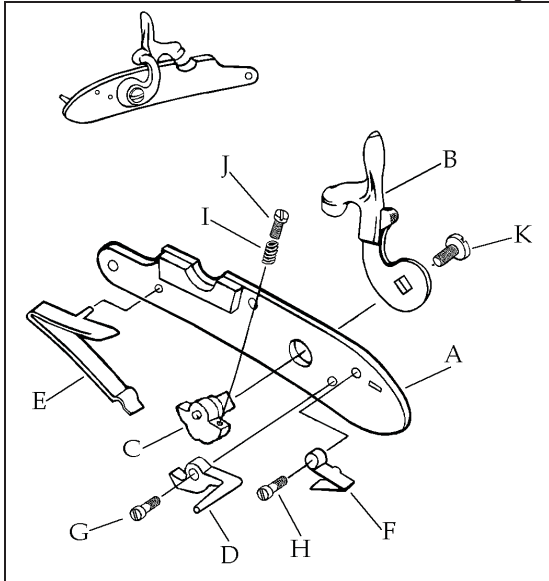


Description	Reference	Description	Reference
A Stock (Beech) (kit).....	K-126521	I Lock Screw Washer (2).....	20619
Stock Beech (Finished).....	FCS126521	J Tang Screw.....	12609
B Barrel Assembly (Kit)		K Nipple Percussion Only.....	20608
.32 cal. perc. (twist 1-48").....	C-126526	L Rear Sight.....	20210
Barrel Assembly Blued (Finished)		M Front Sight.....	36011
.32 cal. perc. (twist 1-48").....	FB126526	N Bolster Screw-Percussion Only.....	20605
C Percussion Lock.....	10803	O Barrel Tennon.....	20233
D Trigger Assembly.....	20222	P Wedge Plate (2).....	10116L
E Trigger Guard.....	10823	Q Wedge Plate Screw (4).....	10117
F Lock Washer (2).....	20624	R Wedge.....	20218
G Oval (Brass).....	26209	S Ramrod.....	126028
H Lock Screw (2).....	20220		

(*) Exploded view at the reverse.

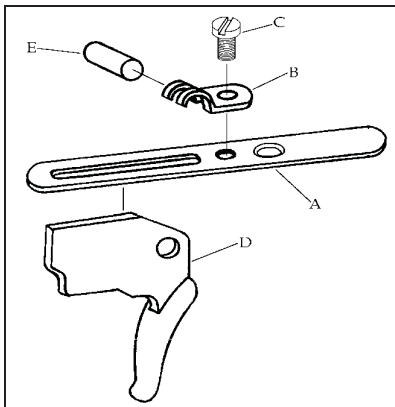
TRADITIONS™

Percussion Lock Assembly - Ref. 10803



Description	Reference
A Lock Plate.....	80801
B Hammer.....	70402
C Tumbler.....	70603
D Sear.....	70504
E Mainspring.....	70505
F Sear Spring.....	70506
G Sear Screw.....	70514
H Sear Spring Screw.....	70121
I Sear Adjusting Screw Spring.....	70520
J Sear Adjusting Screw.....	70518
K Hammer Screw.....	75512P

**Trigger Assembly
- Ref. 20222**



Description	Reference
A Trigger Plate.....	60401
B Trigger Bridle.....	60403
C Bridle Screw.....	60406
D Trigger.....	60402
E Pin.....	60404