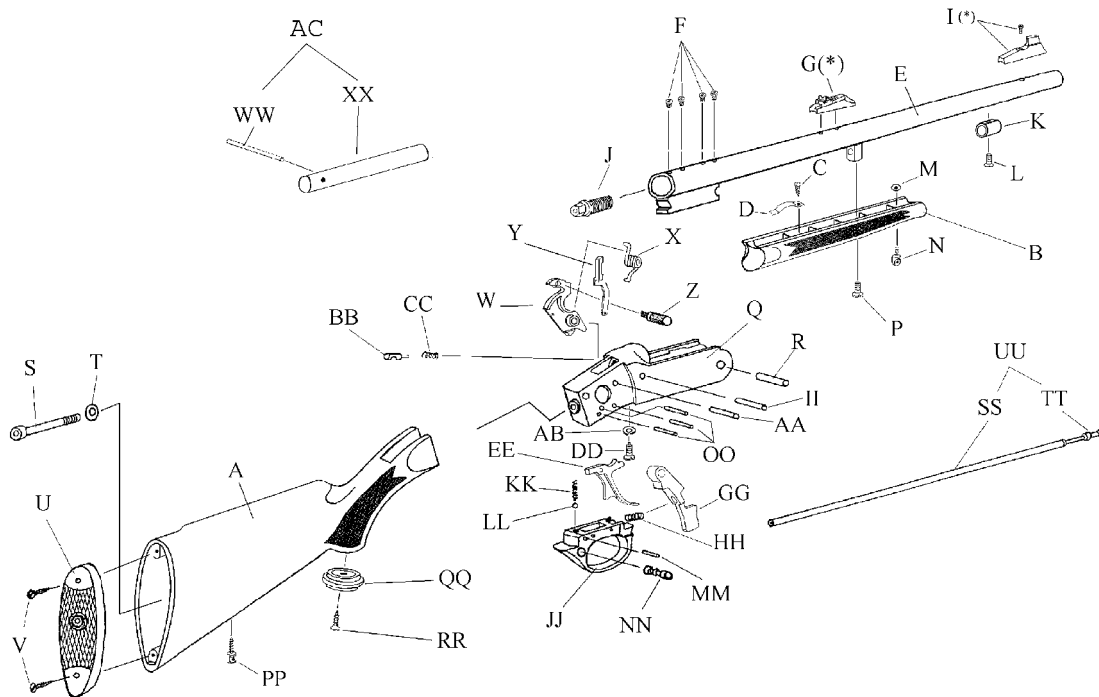


TRADITIONS™

Buckstalker Rifle Models:

- AW Composite - R-72003470

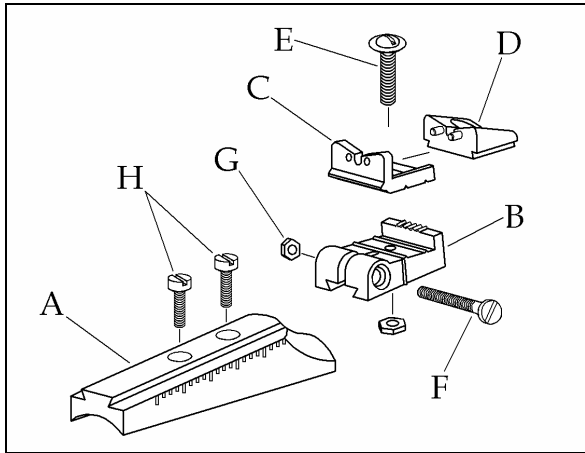
.50 cal. Perc. 1-28"
Blued Barrel



Description	Reference	Description	Reference
A Rear Stock (AW Composite) (Finished).....	FCS701070-2	Z Hammer Handle.....	710004
B Fore Stock (AW Composite) (Finished).....	FCS701070-1	AA Hammer Pin.....	M710031
C Ramrod Retaining Spring Screw.....	21817	BB Firing Pin.....	71007
D Ramrod Retaining Spring.....	400030	CC Firing Pin Spring.....	M71011
E Barrel Assembly (Kit) (Length 24") .50 cal. perc. (twist 1-28").....	C-720034-B	DD Firing Pin Retaining Screw.....	M710021
Barrel Assembly (Finished) (Length 24") .50 cal. perc. Blued (twist 1-28").....	FB720034	EE Trigger.....	71003
F Plug Screw (4).....	26029	GG Barrel Catch.....	71005
G Fiber Optic Rear Sight.....	50610-LU	HH Barrel Catch Spring.....	M71017
I Fiber Optic Front Sight.....	50611-LU	II Barrel Catch Pin.....	M710023
J Hexagonal Breech Plug (SS).....	M7200099	JJ Trigger Guard.....	M710027
K Ramrod Thimble.....	440032-P	KK Trigger Guard Spring.....	M71015
L Ramrod Thimble Screw.....	400031	LL Ball.....	71000
M Sling Swivel Stud – Front nut.....	60122	MM Safety Pin.....	M710029
N Sling Swivel Stud – Front.....	37122	NN Safety.....	710032
P Forend Stock Screw.....	710035	OO Trigger Guard and Trigger Pin (3).....	710025
Q Frame (Alloy/Blued).....	74004	PP Sling Swivel Stud-Rear.....	37013
R Frame Pivot Pin.....	710024	QQ Pistol Grip Cap.....	50104
S Tang Screw.....	71016	RR Pistol grip Cap Screw.....	50105
T Tang Screw Washer.....	71019	SS Ramrod 24" (Aluminum).....	120030
U Buttpad.....	60126	TT Ramrod Tip .50 Cal (Aluminum).....	100028
V Buttpad Mounting Screw (2).....	20634	UU Ramrod Assembly 24".....	120011
W Hammer.....	71002	WW Wrench Handle.....	400033
X Hammer Spring.....	M71018	XX Hexagonal Wrench.....	720029
Y Transfer Bar.....	71006	AB Firing Pin Screw Washer.....	71020
		AC Hexagonal Breech Plug Wrench.....	72519

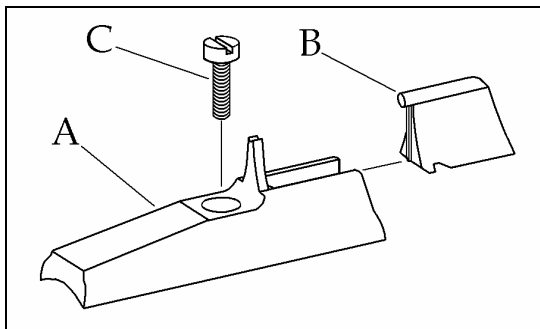
(*) Exploded view at the reverse.

**Lite Optic Rear Sight
-Ref. 50610-LU**



	Description	Reference
A	Rear Sight Base (Round).....	50613
B	Elevator Base.....	50614
C	Rear Sighting Blade.....	50615-LU
D	Luminous Insert.....	50606
E	Windage Adjustment Locking Screw.....	50624
G	Hex. Nut (2).....	50618
F	Elevation Adjustment Locking Screw.....	50616
H	Rear Sight Mounting Screw (2).....	50622

**Lite Optic Front Sight
-Ref. 50611-LU**



	Description	Reference
A	Front Sight Base (Round).....	M50611-LU
B	Luminous Insert.....	36613
C	Front Sight Mounting Screw.....	50623