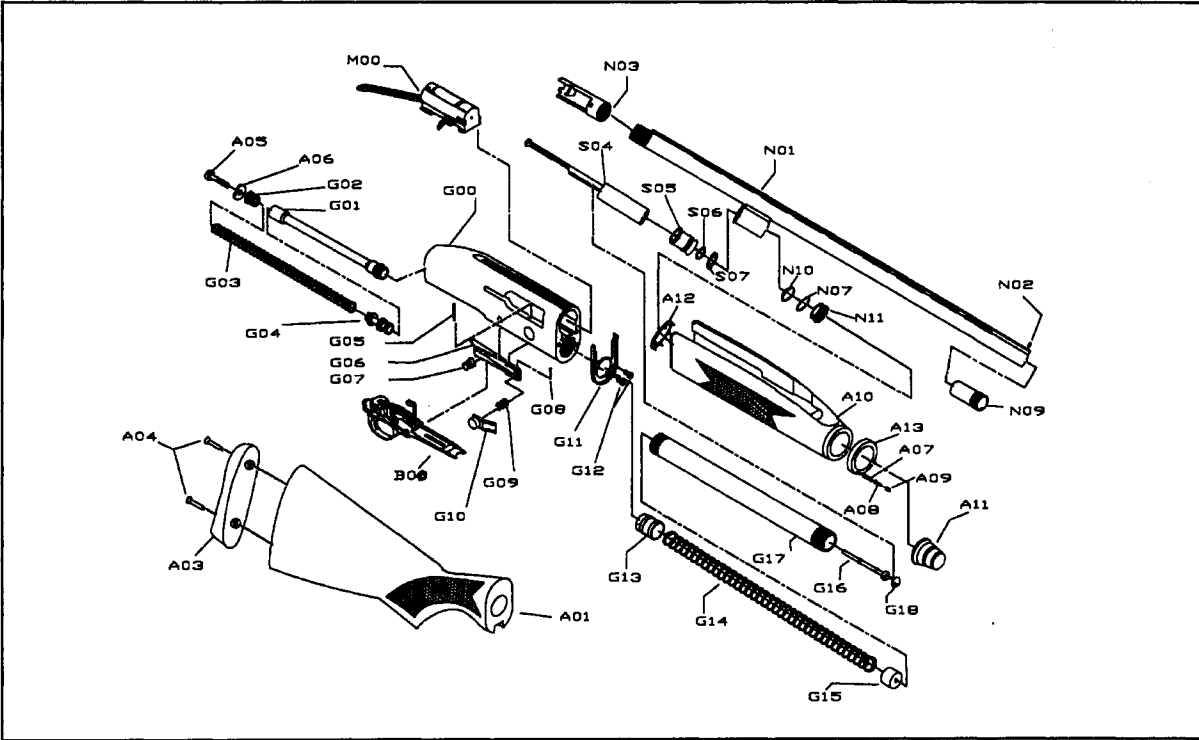


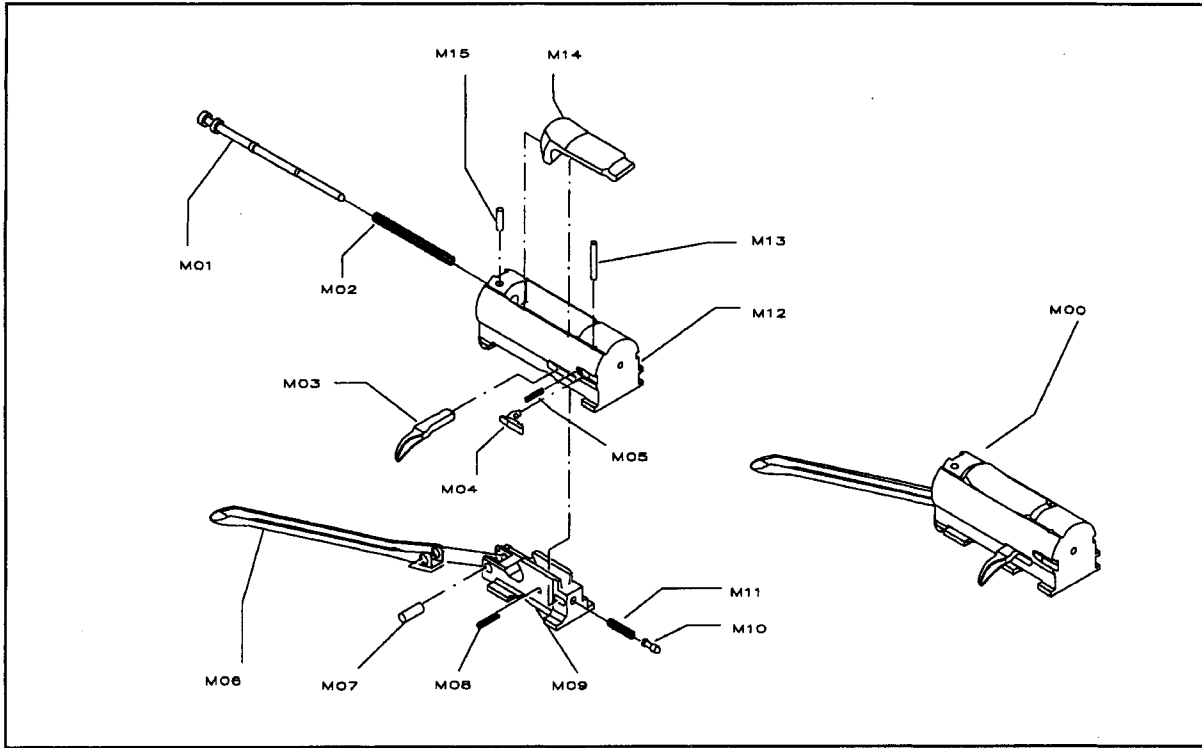
GENERAL ASSEMBLY



### GENERAL ASSEMBLY - PART LISTING

Stock No	Description	Stock No	Description
B00	TRIGGER GROUP ASSEMBLY	A04	STOCK PLATE SCREW
G00	RECEIVER	A05	RECOIL TUBE NUT
G01	RECOIL SPRING TUBE	A06	RECOIL TUBE PLATE
G02	STOCK RETAINING NUT	A07	FORE-END BLOCKER SPRING
G03	RECOIL SPRING	A08	FORE-END BLOCKER
G04	RECOIL SPRING CAP	A09	FORE-END BLOCKER SCREW
G05	CARRIER LATCH PIN	A10	FORE-END
G06	CARRIER LATCH	A11	FORE-END NUT
G07	CARRIER LATCH SPRING	A12	FORE-END PINNED PLATE
G08	CARRIER LATCH BUTTON PIN	A13	FORE-END PLATE
G09	CARRIER LATCH BUTTON SPRING	N01	BARREL
G10	CARRIER LATCH BUTTON	N02	FRONT SIGHT
G11	FORE-END LATCH	N03	BREECH
G12	FORE-END LATCH SCREW	N07	GAS HOLE O-RING
G13	MAGAZINE LONG SPRING CUP	N09	MOBIL CHOKE
G14	MAGAZINE SPRING	N10	GAS HOLE JOINT
G15	MAGAZINE SHORT SPRING CUP	N11	GAS HOLE PLUG
G16	MAGAZINE PLUG	M00	BOLT GROUP ASSEMBLY
G17	MAGAZINE TUBE	S04	CARTRIDGE SLIDING BAR TUBE
G18	MAGAZINE PLUG BLOCKER	S05	PISTON
A01	STOCK	S06	PISTON O-RING
A03	STOCK PLATE	S07	PISTON RING

BOLT GROUP ASSEMBLY-M00

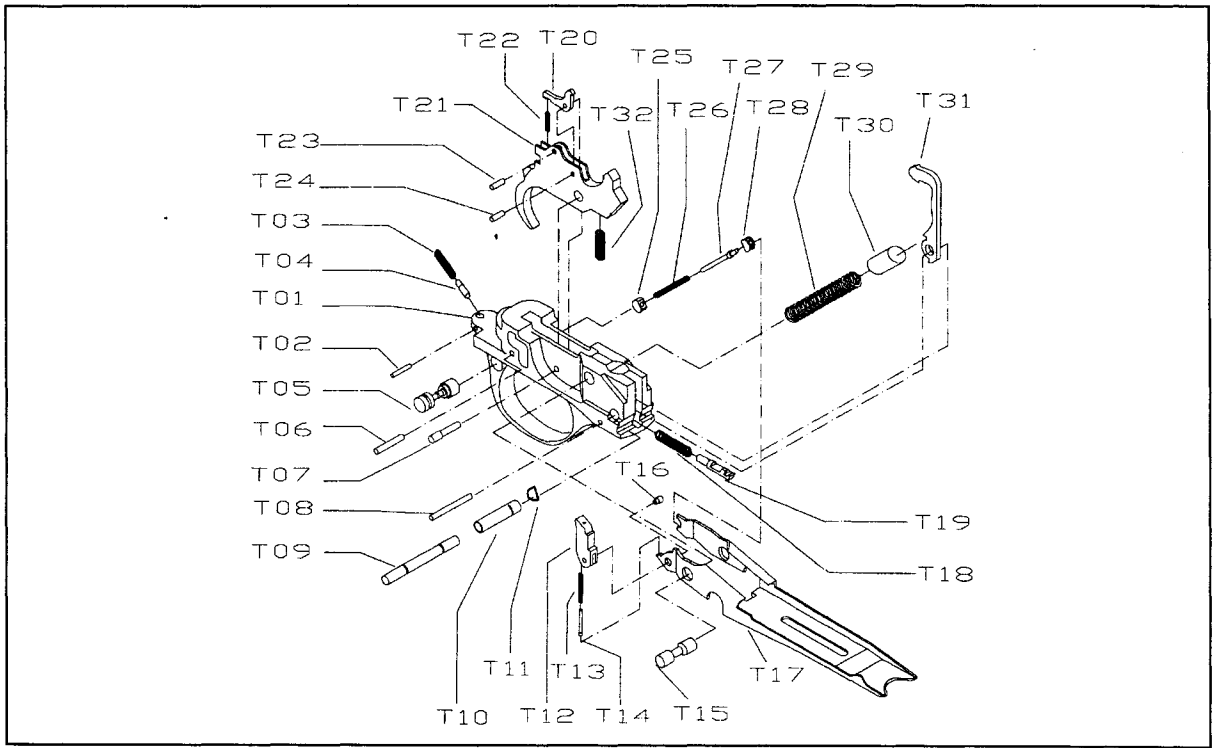


**BOLT GROUP - PART LISTING - M00**

Stock No Description

M01	FIRING PIN
M02	FIRING PIN SPRING
M03	BOLT HANDLE
M04	EXTRACTOR
M05	EXTRACTOR SPRING
M06	LINK
M07	LINK PIN
M08	BOLT HANDLE SPRING RETAINING PIN
M09	BLOCKER SLIDING BAR
M10	BOLT HANDLE PIN
M11	BOLT HANDLE PIN SPRING
M12	BOLT
M13	EXTRACTOR PIN
M14	BLOCKER SLIDING BAR
M15	FIRING RETAINING PIN

### TRIGGER GROUP ASSEMBLY



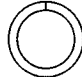
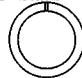
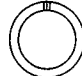

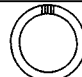
**TRIGGER GROUP - PART LISTING**

Stock No	Description	Stock No	Description
T01	TRIGGER GUARD	T17	CARRIER
T02	SAFETY SPRING RETAINING PIN	T18	CARTRIDGE CARRIER EXTRACTOR SPRING
T03	SAFETY PLUNGER SPRING	T19	CARTRIDGE CARRIER EXTRACTOR
T04	SAFETY PLUNGER SPRING PIN	T20	DISCONNECTOR
T05	HAND SAFETY	T21	TRIGGER
T06	TRIGGER FIXING PIN	T22	DISCONNECTOR PLUNGER SPRING
T07	TRIGGER PIN	T23	DISCONNECTOR PLUNGER PIN
T08	CARTRIDGE CARRIER EXTRACTOR PIN	T24	DISCONNECTOR PLUNGER PIN
T09	RECEIVER PIN	T25	CARRIER SPRING CYLINDER 1.
T10	HAMMER TUBE PIN	T26	CARRIER SPRING
T11	HAMMER TUBE PISTON RING	T27	CARRIER SPRING PIN
T12	BREECH BOLT LATCH	T28	CARRIER SPRING CYLINDER 2.
T13	BREECH BOLT LATCH SPRING	T29	HAMMER SPRING
T14	BREECH BOLT LATCH SPRING PIN	T30	HAMMER SPRING CAP
T15	CARRIER PIN	T31	HAMMER
T16	BREECH BOLT LATCH PIN	T32	TRIGGER SPRING

### WHAT'S MULTI CHOKE?

*The purpose of multi choke is to make barrel's tip narrowed down to shoot for and more collectively or to enlarge barrel's tip to shoot more wider groupment for small shots.*

#### CHOKE VALUES AND AREAS USED FOR SEMI-AUTOMATIC SHOTGUN

CHOKE VALUE	AREAS USED	SYMBOL
* FULL	For duck and goose hunting with 40-45 yard shots For long range hunting with lead shot and tight groups.	
** IMPROVED MODIFIED	For hunting pheasant, ducks with 30-40 yard shots.	
*** MODIFIED	For hunting woodcock, pheasant & quail with 30-35 yard shots Long range hunting with steel shot and tight groups.	
**** IMPROVED CYLINDER	For quail, dove and target shooting. For shorter distance more open shooting	
***** SKEET	For sporting clay and skeet shooting. Short distance, more open shooting.	

**WARNING:**

Do not use choke values 1, 2 or 3 with slug, single bullets or single projectiles. Do not use choke value 1 or 2 with steel shot.

Discharging firearms in poorly ventilated areas, cleaning firearms or handling ammunitions may result in exposure to lead and other substances known to the State of California to cause birth defects, reproductive harm, and other serious physical injury. Have adequate ventillation at all times. Wash hands throughly after exposure.