

# **Traditions™**

## **PERFORMANCE FIREARMS**

*Muzzleloader Owner's Manual*

### **TIP UP OWNERS MANUAL**



#### **IMPORTANT!**

**Thoroughly read and understand all of the instructions and warnings in this manual before using your Traditions firearm.**

**Traditions Performance  
Firearms**

1375 Boston Post Road  
P.O. Box 776  
Old Saybrook, CT 06475

[www.traditionsfirearms.com](http://www.traditionsfirearms.com)

email: [info@traditionsfirearms.com](mailto:info@traditionsfirearms.com)

Traditions Corporate Office  
860-388-4656

## **I:TRADITIONS' WARRANTY PROTECTION INCLUDED WITH YOUR NEW GUN**

Thank you for purchasing the Traditions muzzleloader. Quality, pride and old world craftsmanship has gone into your new Traditions muzzleloader. We work hard to provide the best value and performance possible, we back it up with a limited lifetime warranty. Should you ever experience mechanical difficulty with your new Traditions firearm, be assured that we are staffed and equipped to correct it quickly. Your satisfaction with your firearm is very important to Traditions.

### **PLEASE HELP US SERVE YOU BETTER**

In the unlikely event you need warranty service on your new firearm, we need your help to get the work done right and without delay. It's as easy as dropping us a note or picking up the telephone. Traditions conveniently engraves the caliber, serial number and model name on each barrel. Take note of this information, record it on the warranty page in this manual and be prepared to state it when contacting the Traditions Customer Service Department with your questions. Contact Traditions at 860-388-4656, tell us what problem you are experiencing and we'll get busy to remedy your situation.

Help is just a phone call away should you experience a problem. Simply follow these four simple steps and we'll get your firearm back in perfect working order in the shortest possible time.

**1. Do not return your firearm to the dealer. You can save time by following the steps outlined below.**

2. Do call us and describe the problem. Chances are we can either guide you to a solution right over the phone or when possible send you the parts you need to correct the problem.

3. Should your gun need factory service, we will give you instructions about where to ship it and issue you a Return Merchandise Authorization number.

4. We will inspect your firearm and make necessary repairs that are covered under warranty.

Often we can help you by phone, call before you return your Traditions firearm for service. Good Shooting! **860-388-4656**

**Important: All firearms must have a factory issued Return Merchandise Authorization number (RMA#) before returning to Traditions for warranty service.**

## TABLE OF CONTENTS

I.	Warranty Protection .....	2
II.	Break Action overview .....	5
III.	Your Centerfire Rifle .....	5
IV.	Tip Up Schematics.....	8
V.	Rules of Firearms Safety .....	10
VI.	Safety.....	14
VII.	Use of Correct Ammunition .....	15
VIII.	Loading & Firing your centerfire rifle	16
IX.	Failure to Fire.....	19
X.	Sighting In.....	19
XI.	Scope Mounting .....	19
XII.	Cleaning & Disassembly .....	20
XIII.	Re-assembly .....	24
XIV.	Barrel Obstructions .....	25
XV.	Statement by Sporting Arms & Ammunition Manufacturers.....	27
XVI.	Superior Accuracy.....	28
XVII.	Helpful Accessories .....	29
XVIII.	Limited Lifetime Warranty .....	29
XIX.	Warranty Card.....	32

## **II: BREAK ACTION RIFLE OVERVIEW**

Break-Action design firearms are so described due to the fact that the barrel and receiver are joined by a pivoting hinge. When the action release is depressed in a rearward motion, the receiver and barrel open in a breaking motion. A variety of finishes & stock configurations are available.

Your Tip Up rifle is based off of the Wesson Tip Up. This is a pre-1900 designed single shot rifle and meets the requirements of those states that require such a firearm for use in their primitive seasons. It is important to note though that safety features have been added to this firearm that were not part of its original design, but still make the rifle compliant as a pre 1900 design. Be sure to check your state for rules and regulations regarding which weapons are legal for use during prescribed season(s).

## **III: YOUR CENTERFIRE RIFLE**

Congratulations on your purchase of the new Traditions Tip Up Rifle. You have selected a firearm designed and engineered to give today's shooters the highest performance and optimum accuracy. When given the respect and care that any firearm demands, you can expect many years of reliable service and enjoyable hunting from your Traditions Tip Up firearm. The Tip Up break-open is easy to load, shoot and clean. The action release button is on the front of the trigger guard for ease in opening. The extended hammer has an ambidextrous spur for left or right

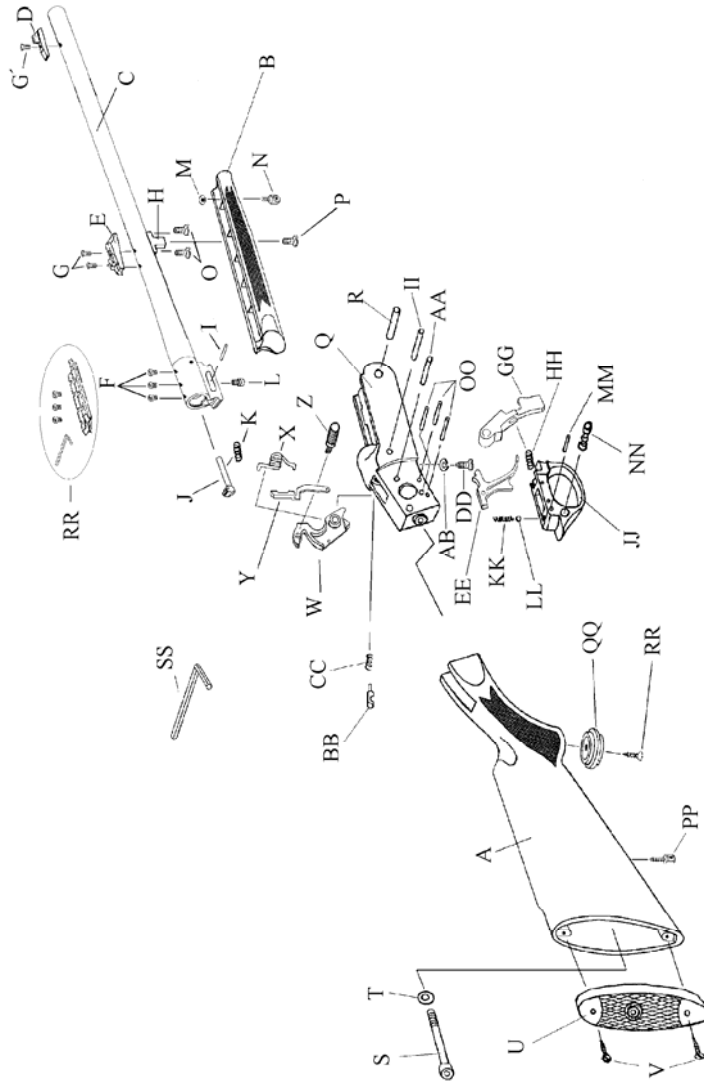
hand shooting. Built into the trigger guard is a trigger block safety mechanism, in addition to a hammer block safety. A person using any firearm has elected to take on an enormous responsibility. This manual contains instructions, cautions and dangers for the safe enjoyable use of your Traditions firearm. Shooting a firearm is a serious endeavor. These instructions and precautions must be followed during each shooting session. Safe firearms handling, loading and shooting are your responsibility and requires that you understand and respect the design and function of your firearm. All firearms can be very dangerous if misused, handled improperly or not properly maintained. All firearms can be dangerous. Your purchase of this firearm implies that you accept all the responsibilities associated with its proper handling, use and care. Also, if in the hands of another, realize that you have the duty to insure that that person handles your firearm in the correct and proper manner.

**! CAUTION :If you sell, trade or give this firearm to another person, be sure to give the new owner a copy of this manual. Copies of this manual are available free of charge from Traditions Performance Firearms or can be downloaded from our website.**  
Call 860-388-4656, email [info@traditionsfirearms.com](mailto:info@traditionsfirearms.com)  
or go to [www.traditionsfirearms.com](http://www.traditionsfirearms.com)

**! WARNING: The Tip Up is a centerfire rifle. Its barrel cannot be interchanged. Traditions does manufacture “platform” rifles in which the barrels can be interchanged, but the Tip Up is not one of those firearms. The Tip Up is strictly a .45-70 single shot rifle.**

**Traditions Tip Up Rifle(s)  
.45-70 Cal only Perc. 1:20” twist**

IV.





	Description	Reference
A	Rear Stock (AW Treestand ST) (Finished).....	FCS71009-2 ST
B	Fore Stock (AW Treestand ST) (Finished).....	FCS74009-1ST
C	Barrel Assembly (Kit) (Length 24") .45-70 cal. perc. (twist 1-20").....	C-100450-9
	Barrel Assembly (Finished) (Length 24") .45-70 cal. perc. Treestand (twist 1-20").....	FB100459
D	Front Sight.....	70220
E	Rear Sight.....	60193
G	Rear Sight Screw (2).....	M73620
G'	Front Sight Screw.....	M73621
F	Plug Screw (3).....	26029
H	Tennon.....	M720023
I	Extractor Pin.....	720025
J	Extractor.....	72411
K	Extractor Spring.....	M72015
L	Extractor Screw.....	720021
M	Sling Swivel Stud – Front nut.....	60122
N	Sling Swivel Stud – Front.....	37122
O	Tennon Screw (2).....	400016
P	Forend Stock Screw.....	10035
Q	Frame (Alloy/Blued).....	72004
R	Frame Pivot Pin.....	710024
S	Tang Screw.....	71016
T	Tang Screw Washer.....	71019
U	Buttpad.....	74026
V	Buttpad Mounting Screw (2).....	20634
W	Hammer.....	10302
X	Hammer Spring.....	M71018
Y	Transfer Bar.....	71006
Z	Hammer Handle.....	710004
AA	Hammer Pin.....	M710031
BB	Firing Pin.....	72007
CC	Firing Pin Spring.....	M71011
DD	Firing Pin Retaining Screw.....	M710021
FF	Trigger.....	71003
GG	Barrel Catch.....	72005
HH	Barrel Catch Spring.....	M72017
II	Barrel Catch Pin.....	M720024
JJ	Trigger Guard.....	M710027
KK	Trigger Guard Spring.....	M71015
LL	Pin.....	71000
MM	Safety Pin.....	M710029

(\*) Exploded view at the reverse

	Description	Reference
NN	Safety.....	710032
OO	Trigger Guard and Trigger Pin (3).....	710025
PP	Sling Swivel Stud-Rear.....	37013
QQ	Pistol Grip Cap.....	50104
RR	Pistol grip Cap Screw.....	50105
SS	Allen Wrench.....	M1005
RR	Weaver Style Scope Assembly.....	
AB	Firing Pin Screw Washer.....	71020

## **V: RULES OF FIREARMS SAFETY**

1. Read completely, fully understand and be willing to follow all instructions and warranty limitations in this booklet before attempting to shoot your firearm.
2. Point the muzzle in a safe direction at all times. A "safe direction" is one in which, if the firearm were to discharge, there would be no injury to anyone. Never point a gun (Whether you think it is loaded or unloaded) directly at another person or at yourself. A bullet can penetrate walls, ceilings, floors, doors, windows, and many other materials and kill or injure someone on the opposite side.
3. Always check to make sure your firearm is in good working order before use. Test the hammer, trigger, and breeching lever carefully prior to loading. Check the barrel for any obstructions, as any obstruction can cause the barrel to burst causing severe injury or death. Keep your finger off the trigger and outside the trigger guard until you are aimed at a proper target and have decided to fire. If your finger is inside the trigger guard, you could fire your gun without intending to - for instance, if you were startled, or if you slipped or lost your balance.
4. Always treat any firearm as if it is loaded.

5. Always wear proper eye and ear protection when loading or firing any firearm.
6. Be sure of your target, and what is around and beyond it. The projectile fired from your firearm can travel several hundred yards, and has the potential to kill or seriously injure someone at that distance! Once you pull the trigger, you cannot call the projectiles back, so you must positively identify your target before you fire. Fire only with a safe backstop behind your target - something that will stop and contain the projectiles you fire, even if you miss the target or your projectile passes through it.
7. Do not point your firearms at anything you do not intend to shoot. Be sure that all bystanders are safely positioned behind you and that they are aware that you are about to shoot. Be mindful that this firearm has a range in excess of a half a mile.
8. Whenever you handle a firearm that, even momentarily, has been out of your direct control, start by checking its condition to determine whether or not it is loaded. A firearm in your hands is a lethal weapon which is YOUR responsibility, so YOU must check it yourself, NOW, not later. Do not rely on someone else to check it.
9. Never take drugs and/or drink alcoholic beverages before and during shooting.
10. Never use any firearm unless you completely understand how it operates and how its safety features work. If you are not already an experienced firearms user, you should obtain training in the safe and proper use of firearms by attending one of the many firearms safety and shooting courses offered in all parts of the country by the National Rifle Association (telephone 703-267-1000), gun

clubs and ranges, gun shops, shooting schools and other qualified sources of instruction.

11. No projectiles other than those specifically recommended by Traditions may be used in your firearm. Traditions recommends the use of Remington 300 grain SJHP for optimum performance in this firearm.

12. Before firing any firearm, be sure it is in good working order and that the barrel is clear of dirt, grease, water, excess oil, rust, corrosion or any other obstruction.

13. Always be mindful of where the safety is set and routinely verify its setting. Never solely rely on any rifle's safety. It is prudent to always treat every gun as if it were loaded and ready to fire. A firearm's safety is a mechanical device which can fail.

14. Never give a firearm to anyone, or take a firearm from anyone, unless it is unloaded and the action is open. If someone tries to hand you a firearm with the action closed, politely ask them to open it before you take it from them.

15. Always unload your firearm when immediate shooting is not planned.

16. Never leave a loaded firearm unattended.

17. Never climb, jump or move abruptly while carrying any loaded firearm.

18. Never transport a loaded firearm nor shoot one from within a vehicle.

19. Always store the ammunition and rifle in separate locked places. Always keep all firearms and ammunition components secured and separate away from children. Never store a loaded gun.

20. In the event of a misfire, assume the gun could fire at any moment. Keep gun pointed down range with the action closed. Wait at least one minute before unloading.
21. Never load a firearm indoors. Only load your firearm in a location where it is safe to shoot.
22. Be certain that anyone firing this firearm understands and is willing to follow the instructions and precautions in this manual and the fundamentals of safe firearm handling.
23. Never shoot at a hard, flat surface or the surface of water.
24. When shooting, be alert to be sure no one comes into the line of fire. Check the backstop and target area carefully to be sure it is free of people each time before you begin to fire. When firing with a group of people, put a responsible person in charge to maintain safety, discipline and control to reduce the chance of accidents. On a firing range, be alert to the commands of the range officer, and follow them precisely and immediately. Never fire your gun near an animal, unless it is trained to accept the noise of gunfire. An animal's startled reaction to the sound of gunfire could injure it or could cause an accident.
25. If the firearm is dropped or struck a hard blow, open action and unload the firearm. Check the bore for obstructions. Verify that the hammer and trigger function properly and that there are no broken or damaged parts. Take the firearm to a qualified gunsmith for inspection and repair if any problems are found.
26. Refer to "CLEANING & MAINTENANCE for cleaning and maintenance instructions.

Take time now to acquaint yourself with your Traditions Firearm. If you have any questions regarding your firearm after reviewing this information, please contact the Traditions Customer Service Department for assistance.

**MAKE SURE THAT THE FIREARM IS UNLOADED BEFORE PROCEEDING. Make sure firearm is pointed in a safe direction at all times and your finger is outside the trigger guard.**

**Verify firearm is unloaded by using action release button in a rearward direction to open action and visually verify that there are no live or spent cartridges in the chamber. If there are spent or live cartridges remove them immediately.**

## **VI:SAFETY**



**Your Traditions rifle is equipped with a trigger block safety & a hammer block safety. The hammer block safety is designed to prevent a misfire if the hammer**

were to fall without being engaged by the trigger mechanism.



**! WARNING: With the safety set in the “Fire” (F) position, the gun is now ready to fire. Never rely totally on the rifle’s mechanical “safety” device. The word “Safety” describes a gun’s trigger block mechanism. This mechanical device is designed to place your gun in a safer status. No guarantee can be made that the gun absolutely will not fire even if the safety is set on the “Safe” (S) position. Like any mechanical device, a “Safety” can sometimes fail. It can be jarred or inadvertently manipulated into an unsafe condition. Never test the safety while your rifle is loaded or at any time while it is pointed in an unsafe position.**

## **VII: USE CORRECT AMMUNITION**

### **Standard Factory Loaded Cartridges**

The proper caliber cartridge for the barrel is marked on the top left side of each barrel.

Barrels for standard cartridges must use high quality commercially manufactured ammunition that corresponds exactly to the barrel marking. If you have any questions concerning the proper ammunition for your firearm, call or write Traditions. Do not fire the firearm if there is any question regarding the proper ammunition!

**! WARNING: The discharge of firearms can result in the exposure to lead. In addition, cleaning firearms and handling ammunition can result in exposure to lead and other substances known to cause birth defects, reproductive harm and other serious physical injury. Have adequate ventilation at all times. Avoid eating, handling food and touching your face and eyes while handling or cleaning firearms. Wash hands thoroughly after exposure.**

## **VIII: LOADING AND FIRING THE CENTERFIRE RIFLE**

To load, push action release button rearward and allow barrel to pivot downward.

The cartridge is pushed forward until its head contacts the extractor. Close the action. If the action does not close smoothly, do not force it closed on a live round. Remove the live round from the chamber and inspect the cartridge and chamber. Never continue to use your firearm if it is not functioning properly. Never force a jammed action, as the jammed cartridge may explode if the primer is crushed or pressed against any metal part of the firearm. If you are



unable to recognize and correct the problem, have the rifle examined by a qualified gunsmith.

**! WARNING: Never mix ammunition. Never use ammunition not specifically designed for your firearm.**

**! WARNING: Forcing the action closed on a live round may cause accidental discharge. An accidental discharge may cause injury or death.**

1. Verify that the firearm is unloaded and that the bore is clean and unobstructed.
2. Verify that your ammunition is the correct caliber for your firearm.
3. Point the barrel in a downward slightly and insert the cartridge into the chamber.
4. Push the cartridge in until the head contacts the extractor.
5. Close the action. The action must close smoothly, do not force the action closed.
6. Push safety into “safe” position until ready to fire

**! WARNING: Keep your finger off the trigger and outside the trigger guard until you are aimed at a proper target and have decided to fire. Failure to do so could cause serious injury or death.**

7. Keep your finger away from the trigger and with the firearm pointed in a safe direction, aim at a safe target with a safe backstop.
8. Push safety into fire position, which will disengage safety



9. Pull hammer rearward into cocked position, keep your finger away from the trigger. Your firearm is now ready to fire.

10. Carefully aim at target & gently pull the trigger with your index finger to fire.

11. After firing, engage safety, open the rifle and remove the empty casing.

**! WARNING: Keep the safety engaged in the "Safe" position until you are aimed at a proper target and have decided to fire. Failure to do so could cause serious injury or death.**

12. If the sound from your firearm does not sound normal, a low powered (“squib”) load may have left an obstruction in the barrel. If this occurs, do not fire another cartridge!

Instead unload the firearm and check for a barrel obstruction. Firing a cartridge with a bore obstruction can result in destruction of your firearm and potential injury or death to you or someone nearby.

**! WARNING: IF YOU'RE FIREARM FAILS TO FIRE:**

**Do not attempt to disassemble receiver. This includes any pins holding the receiver together.**

## **IX: FAILURE TO FIRE**

A misfire could be a very hazardous situation.

If your gun fails to fire for any reason, keep the barrel pointed at your target for at least one minute with the action closed. By doing so, you make sure you are prepared for the chance of a delayed ignition. Engage the safety and open the rifle by pressing the action release button. Remove the cartridge or shell. Verify that the bore is clean and unobstructed. If the primer is indented, the cartridge should be disposed of in accordance with the ammunition manufacturer's instructions for faulty ammunition, or, in any safe manner. If the primer is not indented, or only lightly indented, you should immediately return the Tip Up to Traditions for service.

## **X: SIGHTING IN:**

Start your sighting in at approximately 25 yards with a large target. You want to achieve a grouping of shots no matter where on the target first. After you are able to shoot at least 3 shots in the same 2" area, then adjust your sight to the center bull's-eye.

**To adjust:** Move the rear sight in the direction you want the bullet to go.

## **XI: SCOPE MOUNTING:**

All Traditions firearms are drilled and tapped for mounting a scope. To sight in your scope, please follow the scope manufacturer's directions.

## **XII: CLEANING AND DISASSEMBLY INSTRUCTIONS**

**! WARNING: Before proceeding with disassembly and maintenance of your rifle, make certain the gun is unloaded. In a safe position with the action closed & safety engaged BEFORE YOU USE YOUR FIREARM CLEAN & LUBRICATE IT!**

These are brief instructions on what to do before you use your firearm for the first time.

Please review the Disassembly instructions before attempting to disassemble your firearm.. When you first take the firearm out of the box there will be some manufacturing oils and grease for shipping purposes. These residues need to be removed so that the firearm will function properly.

Proper maintenance and cleaning of your Tip Up will require you to remove the barreled action from the stock. You must clean the firearm each time it is used. Please see the Disassembly and Cleaning sections for more information. Take time before such cleaning to study the Disassembly/Assembly procedures and the accompanying photographs to thoroughly acquaint yourself with your rifle's subassemblies.

1. Use a 4mm. hex wrench draw out the screw in the forend.



2. Once the screw is free, pull down on the forend to remove.



3. Carefully open the action release button by pushing it in a rearward motion. Be sure to use one hand to support the barrel as it pivots downward

4. Slide the barrel rearward and upwards away from the frame.



## CLEANING & MAINTENANCE

**! WARNING: Verify the chamber is empty prior to cleaning your firearm.**  
**Never clean a loaded firearm.**

Clean your gun as soon as possible after your shooting session. Take care when cleaning not to get water or solvent into the trigger assembly. If the trigger assembly is affected, it will be necessary to remove the barreled-action, dry the trigger assembly and treat it with gun oil. At regular intervals, or whenever your firearm has been exposed to sand, dust, extreme humidity, water or other adverse conditions, it must be cleaned and lubricated. Regular maintenance is essential to the proper functioning of your firearm.

1. Unload the gun and disassemble it.
2. Using a cleaning rod and bore brush, run powder solvent through the barrel.
3. Using a swab or patch on the cleaning rod, dry all solvent from the barrel.
4. Using a clean swab or patch on the cleaning rod, apply a thin coat of lubricant to the bore of the barrel.
5. Before re-assembling the firearm, make sure that nothing from the cleaning process is left in the bore. Discharging the gun with anything in the bore can result in destruction of the firearm and injury or death to you or bystanders.
6. Wipe the exterior of the firearm with a rag lightly coated in approved cleaning oil. Dry the exterior of the gun and then apply a thin coat of lubricant to the exterior of the firearm. Use of excess lubricant or grease on your gun can attract dust or dirt which can

interfere with the safe and reliable function of the firearm.

7. Before firing remove all excess lubricant from the bore.

**!WARNING: DO NOT ATTEMPT TO DISSASSEMBLE RECEIVER. THIS INCLUDES ANY PINS HOLDING THE RECEIVER TOGETHER. CLEAN AS A UNIT. Any attempt to do so will void the factory warranty & may cause the firearm to be unsafe & may result in injury and/or death.**

### **XIII: RE-ASSEMBLY**

1. Insert the barrel by sliding downward and forward until the monoblock meets the pin.
2. Using one hand to support the barrel and the other to support the frame/stock, pivot the barrel in an upward motion to close the action.
3. With the barrel attached and the action closed re-insert the forearm. With the nose of the forend pointing down insert the rear part of the forend against the frame and pivot up until it meets the screw post.
4. Use Hex wrench to draw screw into screw post and tighten.
5. With the firearm reassembled, make sure to do a thorough function check of the rifle. At this time



**the barrel and action should work smoothly. The hammer should not bind and all safeties should be in good working order. If the firearm does not function properly, consult a qualified gunsmith immediately or call Traditions for immediate assistance.**

**NOTE:** Store your rifle in a cool, dry, secured area. Storage in a gun case is discouraged, as it may hasten condensation and corrosion. During long periods of storage, periodically check for signs of pitting or rusting on the surface and in the barrel bore.

**NOTE:** The myth that stainless steel & nickel doesn't have to be cleaned as much as blued steel is false. You need to clean and lubricate your stainless barrel just as you would a blued steel barrel. The stainless and nickel barrels are more rust resistant than blued steel, but over time can rust.

#### **XIV: BARREL OBSTRUCTIONS**

**!WARNING: Firing a firearm with an obstructed barrel could cause a burst barrel and injury and/or death to the shooter and/or bystanders and damage to property.**

Before loading, verify that the bore it is free of obstructions (cleaning patches, excess oil, mud, snow or other foreign materials). If the firearm is dropped it must be unloaded and inspected to ensure that the bore has not become clogged with foreign material. If, when firing, (particularly

reloads) the report is weak or peculiar, stop immediately. **Inspect the barrel for a stuck bullet.** If the bore is obstructed return the barrel to a qualified gunsmith. **Do not continue to fire the firearm.**

If the firearm fails to fire, keep the barrel pointed in a safe direction for at least 1 minute. If the firearm does not fire after 1 minute, carefully open the action and remove the cartridge. If the primer is indented, the cartridge must be disposed of in a safe manner. If the primer is not indented, or only lightly indented you must take the firearm to a qualified gunsmith for service or return to Traditions.

**! WARNING: Keep the barrel of your firearm pointed in a safe direction for at least 1 minute if the cartridge does not immediately fire after pulling the trigger. The possibility of a “Hang Fire” (delayed ignition) could exist and may result in the bullet or pellets being directed in a dangerous direction, causing injury and/or death to the shooter or bystanders and damage to property.**

**XV: STATEMENT ISSUED BY SPORTING  
ARMS & AMMUNITION  
MANUFACTURERS INSTITUTE (SAAMI)  
UNSAFE ARMS AND AMMUNITION  
COMBINATIONS**

Ammunition used in a firearm must be the same caliber as that marked on the firearm by its manufacturer. If the firearm is not marked as to caliber or gauge, or if it appears that the original marking has been overprinted or changed, it is the responsibility of the gun user to have a qualified person determine what cartridge can safely be used in the firearm.

The firing of a cartridge or shell other than that for which the firearm is chambered can result in the cartridge or shell rupturing and releasing high pressure gas that can damage or destroy the firearm and kill or seriously injure the shooter and persons nearby.

There are countless combinations of specific cartridges and firearm chambers which are unsafe. Many of these unsafe combinations are recognizable because of significant dimension differences between the cartridge and the firearm chamber.

Dangerous combinations may also have similar chamber and cartridge dimensions. It is not possible to list every unsafe combination; therefore, in the interest of safety, use only the cartridge designated by the firearm or ammunition manufacturer for use in a specific firearm. The cartridge

caliber must be marked on the firearm frame, receiver or barrel by its manufacturer.

The practice of re-chambering firearms is not guided by industry standards. It is possible that a firearm which has been re-chambered may not be re-chambered properly or the re-chambered caliber may not be marked on the firearm. The firearm user is responsible to find out from a qualified person the cartridge caliber or shell gauge for which the firearm has been re-chambered.

## **XVI: SUPERIOR ACCURACY**

Your Traditions Tip Up has been engineered and manufactured to precise tolerances on modern computerized machinery. With proper care and cleaning, your Traditions firearm will retain its superior appearance and accuracy for many years to come. There are many environmental factors that influence accuracy such as humidity, temperature etc. Accuracy can be affected by the simple take-down and reassembly of the rifle components. Although the sights or scope may not have moved, pressure from the way the stock touches the barrel this is more common with wood stocks that can be affected by moisture in the environment.

## **XVII: HELPFUL ACCESSORIES**

In order to participate fully in the sport, you will probably want to consider the purchase of the various Traditions accessories. Your firearms retailer should stock a complete line of accessories from Traditions. If not, ask them to order them for you. Visit them soon to discover all the ways to make your shooting experience even more enjoyable and convenient

## **XVIII: LIMITED LIFETIME WARRANTY**

Traditions warrants all factory-finished firearms to be free of defects in workmanship or materials for the lifetime of the firearm. This Limited Lifetime Warranty applies to the original consumer owner. This warranty is put into effect by the return of the authorized warranty card within 30 days of purchase and is not transferable.

Any covered Traditions firearm or part thereof that is returned postage paid to the Repair Center or Customer Service Department will be repaired or replaced to our commercial standard, free of charge, and returned to the consumer postage prepaid.

**This warranty does not cover any damage caused by custom alteration of the firearm!** This warranty does not cover any damage resulting from careless handling, improper loading, rust or corrosion, neglect, or customer alterations. Nor does it cover normal wear of any part,

metal or stock finish, cost of inconvenience due to product failure, or transportation to the Repair Center. Traditions reserves the right to refuse to repair or replace any firearm or parts thereof damaged by any of the above.

Should your Traditions centerfire firearm require repair, we recommend that it be returned to our Warranty Repair Center. This will assure that a competent staff of trained technicians performs all work. Your Traditions Tip Up can be shipped by you directly to our warranty repair center, and we can return it directly to you, as per current US Law. If you use a dealer or gunsmith to ship the rifle, we must return it to the same dealer or gunsmith. **NO EXCEPTIONS WILL BE MADE.** (Section 178.147 Federal Firearms Regulations) Any firearm returned to the repair center should be marked to the attention of Warranty & Repair- Attn: Tip Up Firearm Enclosed. A detailed letter of instructions should be enclosed to facilitate handling and an RMA # with it. Please be sure to include your name, shipping address, and a daytime phone number

Our Repair Center will inspect and evaluate the problem. Should any work not be covered by warranty, you will be advised of the cost. No work will be done without your approval.

**Firearms packaged and shipped improperly are not covered under warranty if damage occurs.**

Shipping Address:  
Traditions  
1375 Boston Post Rd. • P.O. Box 776  
Old Saybrook, CT 06475-0776  
Tel. 860-388-4656  
Website: [www.traditionsfirearms.com](http://www.traditionsfirearms.com)  
E-mail: [info@traditionsfirearms.com](mailto:info@traditionsfirearms.com)

**XIX: PREFERRED CUSTOMER WARRANTY**  
**REGISTRATION CARD**

Model # \_\_\_\_\_  
Serial # (from barrel or frame) \_\_\_\_\_  
Name \_\_\_\_\_  
Age \_\_\_\_\_  
Street \_\_\_\_\_  
City \_\_\_\_\_  
State \_\_\_\_\_  
Zip \_\_\_\_\_  
Day Time Phone # \_\_\_\_\_  
Date of Purchase \_\_\_\_\_  
Purchase Price \_\_\_\_\_  
Store Name \_\_\_\_\_

- 1. What is your age?** 1 Under 18 2 18-24 3 25-34 4 35-44 5 45-54 6 55-64 7 over 65
- 2. Reason for your purchase** 1 Hunting 2 Target Shooting 3 Personal use 4 Gift 5 Raffle Prize 6 Other
- 3. Do you own?** 1 Other muzzleloaders 2 Over/Under Shotgun 3 Side by Side Shotgun 4 Semi-Auto Shotgun 5 Pump Shotgun 6 Cartridge Rifle 7 Handgun 8 Bow
- 4. Where purchased?** 1 Gun Shop 2 General Sporting Goods Store 3 Hardware Store 4 Chain Store 5 Mail Order Catalog 6 Internet Store
- 5. Is this your first Traditions Product?** 1 Yes 2 No
- 6. Which factors influenced your purchase?** 1 Previously owned a **Traditions** product 2 Magazine Ad/Article 3 Internet/Website 4 **Traditions** Catalog 5 Recommendation of Salesperson 6 Recommendation of a Friend 7 Price 8 Features 9 Other
- 7. What type of game do you hunt?** 1 Whitetail Deer 2 Mule Deer 3 Elk 4 Bear 5 Antelope 6 Turkey 7 Small Game 8 Other



**8. What do you think is the best way to get information about Hunting & Hunting products?**

1 Magazine Ads   2 Internet/Website   3 Television Programs   4 Radio

**9a. Which magazine do you read?**

---

**b. Which TV hunting show do you watch?**

---

Check here to receive a free **Traditions** catalog showing muzzleloadings' largest selection of firearms and accessories or visit our website at [www.traditionsfirearms.com](http://www.traditionsfirearms.com)

To receive a **Traditions** Firearms Logo cap and catalog, send \$11.95 along with your warranty registration card.

**NOTE: Return this card within 15 days of purchase in order to validate your limited lifetime warranty**

**Traditions™**  
**PERFORMANCE FIREARMS**  
P.O. Box 776 • Old Saybrook, CT 06475-0776  
[www.traditionfirearms.com](http://www.traditionfirearms.com)