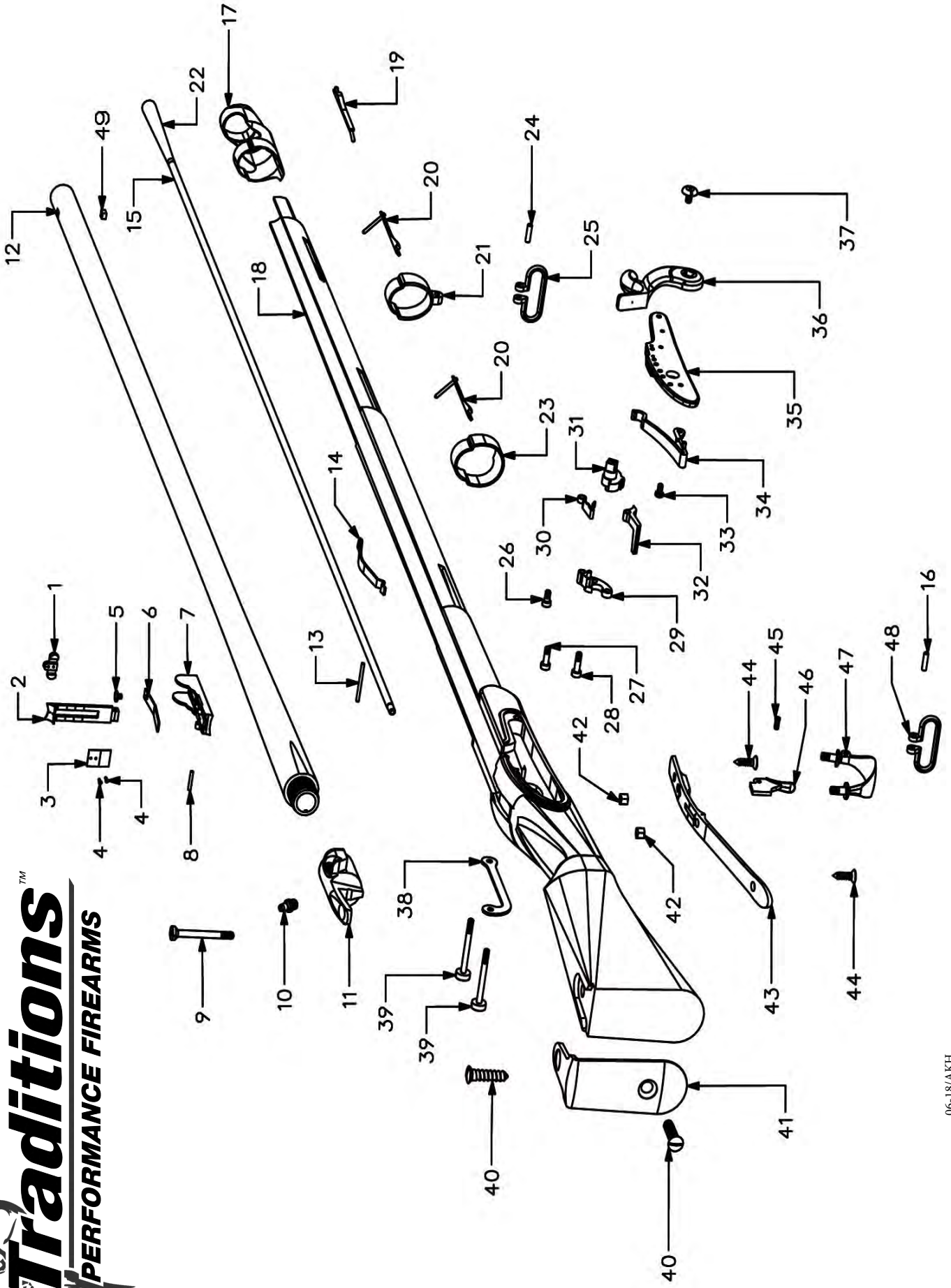




1842 Springfield Rifled Musket Schematic





Spare Parts List 1842 Rifled Springfield Musket

ITEM	DRAW.REF	DESCRIPTION	QUANTITY OF PART NEEDED	ITEM	DRAW.REF	DESCRIPTION	QUANTITY OF PART NEEDED
O98.094		STOCK COMPLETE		O98.025		LOCK COMPLETE	
780.007	18	stock	1	770.055	35	lock plate	1
K760.031	41	butt plate	1	790.040	36	hammer	1
730.124	40	butt plate screw	2	790.041	29	bridle	1
730.084	13	retainer spring pin	1	790.042	31	tumbler	1
721.043	14	retainer spring	1	790.043	32	sear	1
O98.100		BARREL RIFLED COMPLETE		730.131	37	hammer screw	1
710.037	12	barrel	1	730.132	27	bridle screw	1
790.032	11	breech tang	1	730.133	28	sear screw	1
770.053	49	baionet lug	1	730.134	26	sear spring screw	1
730.064	10	nipple	1	730.135	33	main spring screw	1
O98.037		REAR SIGHT COMPLETE		721.052	34	main spring	1
770.047	7	Rear sight base	1	721.053	30	sear spring	1
770.049	2	Rear sight ladder	1	O98.097			
770.050	1	Rear sight slide	1	730.126	9	tang screw	1
721.047	6	Rear sight slide spring	1	760.032	38	side plate	1
730.097		Rear sight slide pin	2	730.127	39	side screw	2
730.120	8	Rear sight slide ladder pin	1	730.128	44	trigger plate screw	2
O98.096		TRIGGER PLATE-GUARD ASSEMBLY		790.037	23	rear band	1
790.033	43	trigger plate	1	790.039	17	front band	1
790.035	46	trigger	1	721.050	19	front band spring	1
730.107	45	trigger screw	1	721.051	20	middle rear band spring	2
150.000	42	trigger plate nut	2	730.435	15	ramrod	1
O98.151		TRIGGER GUARD COMPLETE		730.099	5	Rear sight base screw	1
790.034	47	trigger guard	1	721.071	3	Rear sight base spring	1
730.125	16	swivel pin	1	O98.099		MIDDLE BAND COMPLETE	
790.036	48	swivel	1	790.038	21	middle band	1
				730.125	24	swivel pin	1
				790.036	25	swivel	1