

**TRADITIONS™**  
**PERFORMANCE FIREARMS**

P.O. Box 776  
Old Saybrook, CT 06475-0776

**Place  
Postage Here.**  
Or for additional  
security enclose  
in a envelope.

# TRADITIONS™

## PERFORMANCE FIREARMS

*In-Line Muzzleloader Owner's Manual*

### TURKEY PRO SHOTGUN

#### **IMPORTANT!**

Thoroughly read and understand all of the instructions and warnings in this manual before using your Traditions firearm.

**Traditions Performance Firearms**

1375 Boston Post Road

P.O. Box 776

Old Saybrook, CT 06475

[www.traditionsfirearms.com](http://www.traditionsfirearms.com)

email: [info@traditionsfirearms.com](mailto:info@traditionsfirearms.com)

Fit 40 – 03/03

Jb2-MB

## LIMITED LIFETIME MECHANICAL WARRANTY

Traditions will warrant this muzzleloading firearm (or parts in a kit to be built) to be free of mechanical defects in materials or craftsmanship for the life of the firearm, while in the possession of the original owner except wooden stocks. Traditions will repair or replace, at its own option, product or parts which are returned at owner's expense to the Traditions Customer Service Department. A full explanation of the specific problem must accompany the returned item. Call 1-800-526-9556 to obtain a factory issued return authorization number.

Firearms packaged and shipped improperly are not covered under warranty if damage occurs.

This warranty shall remain in force unless any of the following are determined by the Traditions Customer Service Department:

1. Use of any propellant other than black powder, Pyrodex or Triple 7.
2. Use of any powder charges in excess of those recommended in this booklet.
3. Modification of internal parts as they were shipped from the factory.
4. A lack of proper maintenance and thorough cleaning is evident such as rust.
5. Wooden stocks and ramrods are warrantied to the extent that the defect is a result of the manufacturer and not as a consequence of normal wear and tear.

### **1. DO NOT RETURN YOUR FIREARM TO THE DEALER. YOU CAN SAVE TIME BY FOLLOWING THE STEPS OUTLINED BELOW.**

2. Do call us and describe the problem. Chances are we can either guide you to a solution right over the phone or when possible send you the parts you need to correct the problem.
3. Should your gun need factory service, we will give you instructions as to where to ship it.
4. We will inspect your firearm and make necessary repairs that are covered under warranty.

Often we can help you by phone, Call before you return your Traditions firearm for service. Good Shooting!

**1-800-526-9556**

Important: All firearms must have a factory issued return authorization number (RA#) before returning to traditions for warranty service.

**Shipping Address:**

Traditions Performance Firearms  
1375 Boston Post Rd. • P.O. Box 776  
Old Saybrook, CT 06475-0776

**Tel.** 800-526-9556

**Fax.** 860-388-4657

**Website:** [www.traditionsfirearms.com](http://www.traditionsfirearms.com)

**E-mail:** [info@traditionsfirearms.com](mailto:info@traditionsfirearms.com)

**Business hours:** M-Th. 7:30-4:30 EST

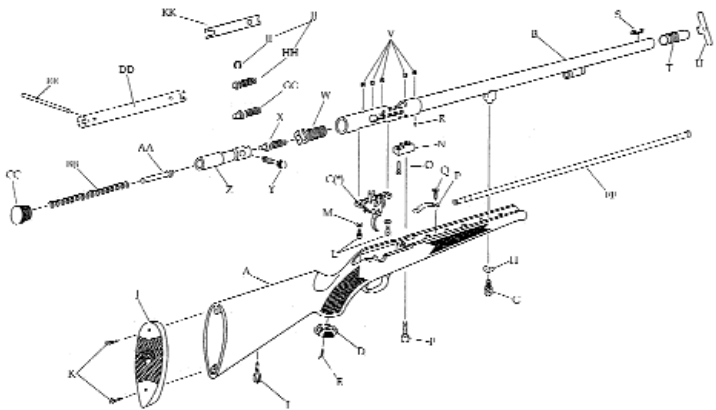
Fri.-7:30-12:30 EST

If you are unsure how to package your firearm for return, ask your service representative when obtaining your RA#.

# TABLE OF CONTENTS

YOUR NEW TRADITIONS MUZZLELOADER .....	1
TODAY'S MUZZLELOADING SPORT .....	2
MUZZLELOADING 'MUSTS' FOR MUZZLELOADING SUCCESS.....	3
BEFORE YOU USE YOUR MUZZLELOADER.....	5
THUMB SAFETY .....	6
DISASSEMBLY FOR IN-LINE SHOTGUNS .....	7
IGNITION (includes nipples and breech plugs) .....	8
ADJUSTABLE TRIGGER .....	10
LOADING.....	10
RECOMMENDED PROPELLANTS .....	11
SELECTING THE POWDER CHARGE .....	12
WAD SELECTION.....	13
SHOT SELECTION .....	13
RECOMMENDED LOADS .....	13
LOADING YOUR SHOTGUNS .....	14
PRIMING YOUR SHOTGUN .....	15
DEPRIMING THE SHOTGUN.....	15
IF THE GUN FAILS TO FIRE .....	15
REMOVING THE CHARGE.....	17
CLEANING.....	18
PREFERRED CUSTOMER WARRANTY .....	22

# Turkey Pro Shotgun



## Description

### Description

- A Stock
- B Barrel Assembly (Length 24")  
12 Gauge perc. (Smoothbore)
- C Trigger Assembly (Adjustable)
- D Pistol grip Cap
- E Pistol grip Cap Screw
- F Action Mounting Screw (Allen Head)
- G Sling Swivel Stud-Front
- H Sling Swivel Stud-Front Washer
- I Sling Swivel Stud-Rear
- J Buttpad
- K Buttpad Mounting Screw (2)
- L Trigger Assembly Mount Screw (2)
- M Lock Washers (2)
- N Bedding Block
- O Bedding Block Screw (Allen Head)
- P Ramrod Retaining Spring
- Q Ramrod Retaining Spring Screw
- R Barrel Locking Screw

### Description

- S Front Sight
- T Choke Tube
- U Choke Tube Wrench
- S Wrench
- U Sling Swivel Stud-Front Nut
- V Plug Screw (4)
- W Breech Plug
- X 209 Nipple Percussion
- Y Bolt Handle
- Z Bolt
- AA Mainspring Guide
- BB Mainspring
- CC Receiver Cap
- DD Wrench
- EE Wrench Handle
- FF Ramrod Assembly (Blackened)
- GG Musket Cap Nipple
- HH 209 Cap Nipple
  - II 209 Cap Nipple Spring
  - JJ 209 Cap Nipple Assembly
- KK Decapping Tool

# **TRADITIONS™**

## **PERFORMANCE FIREARMS**

### **YOUR MUZZLELOADING SHOTGUN**

Congratulations on your purchase of a Traditions muzzleloader. You have selected a muzzleloading firearm designed and engineered to give today's shooters the highest performance and optimum patterning. When given the respect and care that any firearm demands, you can expect many years of reliable service and enjoyable hunting from your new Traditions muzzleloader.

A person using any firearm has elected to take on an enormous responsibility. This manual contains instructions, cautions and dangers for the safe enjoyable use of your Traditions muzzleloader. Shooting a firearm is a serious endeavor. These instructions and precautions should always be followed during each shooting session. Safe firearm handling, loading and shooting are your responsibility and requires that you understand and respect the design and function of your firearm. All firearms can be very dangerous if misused, handled improperly or not properly maintained.

Like all firearms, muzzleloaders can be dangerous. Your purchase of this firearm implies that you accept all the responsibilities associated with its proper handling, use and care. Also, if in the hands of another, realize that you have the duty to insure that that person handles your firearm in the correct and proper manner.

Tradition's markets a "How to" Muzzleloading video called The Basics of Muzzleloading. This video is very helpful in understanding the basic steps and procedures involved in loading, shooting, cleaning and maintaining your muzzleloader. This video can be purchased from your local sporting goods dealer or direct from Traditions Firearms by calling 1-800-526-9556.

**CAUTION: If you sell, trade or give this shotgun to another person, be sure to give the new owner a copy of this manual. Copies of this manual are available free of charge from Traditions Performance Firearms.**

## THE SPORT OF MUZZLELOADING

More and more sportsmen have discovered the challenges and enjoyment of muzzleloading in recent years. For both hunting and target shooting, muzzleloading guns have helped a modern generation recapture and enjoy an important aspect of our nation's sporting past.

Traditions In-Line Muzzleloaders are firearms which represent the latest developments in this unique part of the shooting sports. They are manufactured to modern standards for safe and enjoyable shooting.

This booklet is intended as a basic guide for the proper maintenance, loading and shooting of Traditions muzzleloaders, and to offer important rules and precautions for safe handling and shooting of this type of firearm. In addition to this booklet, it is recommended that the novice obtain further information and instruction before firing a muzzleloader. Sources for this help include:

1. National Muzzle Loading Rifle Association P.O. Box 67, Friendship, Indiana, 47021, 1-800-745-1493 or visit them on the web @ HYPERLINK <http://www.nmlra.org> or [www.nmlra.org](http://www.nmlra.org)
2. The National Rifle Association has over 41,500 certified instructors in the United States, and offers courses on safe and correct operation of muzzleloading firearms. To find a local instructor, contact NRA's Training Division at 1-703-267-1430, or visit them online at [www.nra.org](http://www.nra.org).
3. Your town clerk, local sporting good dealer, state DEP or conservation department can provide information on hunter safety courses offered in your area. Many such courses include muzzleloader training and are excellent for the beginner shooter.
4. Contact your local muzzleloader or hunting club. Club members should be pleased to help introduce you to enjoyable shooting.



## **MUZZLELOADING 'MUSTS' FOR MUZZLELOADING SUCCESS**

1. Read completely, fully understand and be willing to follow all instructions and warranty limitations outlined in this booklet before loading or attempting to shoot your new Traditions muzzleloader.
2. Always treat any firearm as if it is loaded.
3. Always wear proper eye and ear protection when loading or firing any firearm.
4. Don't shoot until you are absolutely sure of your target and what is beyond it. Do not point your firearm at anything you do not intend to shoot. Be sure that all bystanders are safely positioned behind you and that they are aware that you are about to shoot. Be mindful that this firearm has a range in excess of a half a mile.
5. Use only the proper grade of black powder, Pyrodex® powder, Pyrodex Pellets® or Triple 7 powder in properly measured amounts. When using Triple 7 powder, loads must be reduced by 15%. Be sure to reference the chart in this booklet for recommended loads.
6. Never use any amount of smokeless gun powder in your muzzleloader. Although also black in color, smokeless powder is a very different chemical composition and it will produce dangerous pressures resulting in serious injury to yourself, bystanders and it will damage your firearm.
7. Never smoke or permit others to smoke in the presence of propellants. Take care to guard against all potential ignition sources.
8. Never take drugs and/or drink alcoholic beverages before and during shooting.
9. Be certain that the powder, patches and projectiles are properly sized and measured and are loaded in their proper sequence and that the projectile is firmly seated on top of the propellant.
10. Never load powder into a gun directly from a can, powder horn or flask. Always use a separate calibrated powder measuring device. A remaining spark or ember in the barrel may cause an ignition of the powder and cause harm to you, bystanders and the firearm.
11. No projectiles other than those specifically recommended in this manual should be used in your muzzleloader.

12. Always be mindful of where the safety lever is set and routinely verify its setting. Never solely rely on any firearm's safety. It is prudent to always treat every gun as if it were loaded and ready to fire. A firearm's safety is a mechanical device which can fail.
13. Always disable your muzzleloader by carefully removing the percussion cap or primer and unloading the barrel when immediate shooting is not planned.
14. Never install a percussion cap or primer on the nipple before the gun is loaded. When loaded, a bump or unintentional pressure could result in the discharge of the firearm resulting in a serious accident.
15. Never leave a loaded firearm unattended.
16. Never climb, jump or move abruptly while carrying any loaded firearm.
17. Never transport a loaded firearm nor shoot one from within a vehicle.
18. Always store the powder, gun and percussion caps or primers in separate locked places. Always keep all firearms and ammunition components secured and separate away from children. Never store a loaded gun.
19. In the event of a misfire, assume the gun could fire at any moment. Keep gun pointed down range with the bolt closed. Wait at least one minute before recapping, repriming, or removing the load from the barrel.
20. Never load a muzzleloading firearm indoors. Only load your firearm in a location where it is safe to shoot.
21. Be certain that anyone firing this muzzleloader understands and is willing to follow the instructions and precautions in this manual and the fundamentals of safe firearm handling.
22. Always make certain that the safety is fully set in the most rearward "Safe" (S) position when installing percussion caps or primers.
23. Never shoot at a hard, flat surface or the surface of water.
24. Make sure you have a safe and secure backstop of proper thickness and density necessary to capture the projectiles. Take time now to acquaint yourself with your new Traditions

Muzzleloader. If you have any questions regarding your muzzleloader after reviewing this information, please contact the Traditions Customer Service Department for assistance. 1-800-526-9556

## **MAKE SURE THAT THE MUZZLELOADER IS UNLOADED BEFORE PROCEEDING.**

To check if the muzzleloader is unloaded, remove the ramrod and place it down the barrel. The ramrod should sit approximately an 1 1/2" to 2 1/4" above the muzzle. It is important to note, that when checking the barrel with our muzzleloading rifles the ramrod should be approximately flush with the muzzle. If it is not, you will need to disassemble the muzzleloader and remove the obstruction before proceeding. Refer to the disassemble section.

## **BEFORE YOU USE YOUR MUZZLELOADER, CLEAN & LUBRICATE IT!**

These are brief instructions on what to do before you use your muzzleloader for the first time. Please review the Disassembly instructions inside for a complete set of instructions. When you first take the muzzleloader new, out of the box there will be some manufacturing oils and grease for shipping purposes. These residues need to be removed so that the muzzleloader will function properly.

1. Remove the bolt or plunger (depending on the model you have), nipple & breech plug from your muzzleloader.
2. Remove the barreled action from the stock and clean the barrel with hot, soapy water. This will remove any manufacturing residue that may be on the inside or outside of the barrel.
3. Dry all of the parts completely.
4. Apply a light coat of Tradition's Wonderlube 1000 Plus lubricant to a dry patch (or use Tradition's pre-lubed patches) and run up & down the bore before loading. This will allow for easier loading and cleaning throughout your shooting sessions.
5. Lubricate the threads of the breech plug and nipple with Tradition's Wonderlube 1000 Plus or Tradition's Breech plug grease.

## THUMB SAFETY

Traditions Turkey Pro shotguns are equipped with a trigger blocking thumb safety. When this safety is set on "Safe"(S) or pulled to the rear, it will restrict movement of the trigger. When the safety is set on "Fire" (F) or pushed to the front, the hammer will be released and will fire when the trigger is pulled.

**CAUTION: With the safety set in the "Fire" (F) position, the gun is now ready to fire. Never rely totally on your muzzleloader's mechanical "safety" device. The word "Safety" describes a gun's trigger block mechanism. This mechanical device is designed to place your gun in a safer status. No guarantee can be made that the gun absolutely will not fire even if the safety is set on the "Safe" (S) position. Like any mechanical device, a "Safety" can sometimes fail. It can be jarred or inadvertently manipulated into an unsafe condition. Never test the safety while your muzzleloader is loaded or at any time while it is pointed in an unsafe position.**

A Note About Maintenance Procedures:

Proper maintenance and cleaning of your new muzzleloader will require you to remove the barreled action from the stock. You must clean the muzzleloader each time it is used. Please see the Disassembly and Cleaning sections for more information. Take time before such cleaning to study the Disassembly/Assembly procedures and the accompanying photographs to thoroughly acquaint yourself with your muzzleloader's subassemblies.

### Removal of Barrel from the Stock

(All model In-Line Muzzleloaders)

1. Make sure the muzzleloader is UNLOADED & UNCAPPED.
2. Remove the ramrod. Using a 5mm hex wrench, loosen and remove the hex bolt in front of trigger guard.
3. Loosen and remove the swivel stud located on the forend of the stock. The stock can now be pulled away from the barreled action.



Tracker 209 model shown here.

## **SCREW-IN CHOKE TUBES:**

Your Turkey Pro shotgun is equipped with a screw-in choke tube. This tube will interchange with chokes designed for modern Winchester™ 1300 and Mossberg™ 500 shotguns. To care for the choke tube, please follow these simple steps:

1. Ensure the shotgun is not loaded.
2. Using the provided choke tube wrench, carefully unscrew the choke tube counter-clockwise and remove from the barrel.
3. Using a cleaning brush, completely clean the threads of the choke tube, the barrel threads and the inside of the choke. It is very important to clean all powder fouling from the threads for easy re-insertion.
4. Lubricate the threads of the choke tube with Traditions A1580 grease or another high-quality choke tube lubricant. Do not use thin gun oil, as it will provide insufficient lubricity. Always lubricate after cleaning.
5. Replace the choke tube into the barrel by screwing clockwise until completely seated. Do not force or overtighten the tube.

**WARNING: Do not fire the shotgun without a choke tube in place. Doing so will damage the barrel threads.**

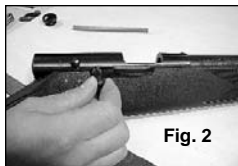
## **DISASSEMBLY FOR IN-LINE SHOTGUNS:**

Before proceeding with disassembly and maintenance of your muzzleloader, make certain the gun is unloaded and that the cap, or primer has been removed from the nipple.

1. Remove ramrod and make sure the muzzleloader is unloaded.
2. If the bolt is in the forward position skip to #3. If the bolt is in the pulled back (cocked) position, with safety in "fire" or "off" position, hold moderate pressure on the bolt handle and pull the trigger and gently slide the bolt to the full forward position.
3. Unscrew the knurled cap at back end of receiver, maintaining a constant pressure on the cap to prevent an accidental release of the bolt spring.

**CAUTION: The bolt is under compression even with bolt in full forward position and can cause serious injury if released unexpectedly. Exercise caution whenever removing or replacing knurled cap and spring.**

4. Remove bolt spring and spring follower.
5. Squeeze trigger and slide bolt handle back to the rearmost position in the receiver. see fig. 2
6. Remove bolt handle by pulling straight out from side of the receiver. You may have to jiggle the handle a bit while pulling.
7. Squeeze the trigger and push the bolt out through the rear of receiver. By pulling trigger, it allows the sear to drop down and allow the bolt to be removed. You should have 5 parts on the table



## IGNITION

**Note: Breech plugs and nipples will wear out over time and should be replaced periodically. We recommend that you purchase at least one extra nipple and breech plug for emergencies in the field or at the range. Thread size of standard Traditions nipples is M6x1. Thread size of Magnum Traditions nipple is M8x1.**

### Removal of the Nipple or 209 adapter:

1. Make sure that the nipple is not capped or primed.
2. Remove the bolt assembly from the receiver.
3. Insert the breech plug wrench supplied with your muzzleloader through the rear of the receiver (while squeezing the trigger) and position the correct side of it over the nipple.
4. Insert the handle into the wrench and unscrew the nipple counterclockwise.

### Removal of the Breech Plug:

1. Insert the larger end of the wrench into the receiver (while squeezing the trigger) and position it onto the breech plug.
2. Insert the rod handle into the wrench.
3. Turn the wrench counter-clockwise and unscrew the breech plug and withdraw the wrench and plug from the receiver. It may require some extra force to free up the breech plug after shooting.



### Tips for stuck Breech Plugs:

Always make sure to lubricate the breech plug threads liberally before using your muzzleloader.

- a. With the breech plug wrench fitted over the breech plug, actually try to tighten the plug and then rock it back and forth to loosen up the fouling.

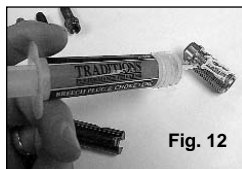


Fig. 12

### Or try:

- b. Remove the barrel from the stock and then remove the trigger assembly from the barrel. Soak the barrel in very hot, soapy water for about 1/2 hour. Secure the barrel in a padded vice. Position the wrench onto the breech plug and remove.
- c. If you still cannot remove plug, contact Traditions Customer Service Department.

### Installation of the Breech Plug:

1. Spray the breech plug inside and out with Traditions Easy Clean solvent to loosen the residue on the plug. Use a stiff brush to clean the outside threads and inner area of the breech plug. A pipe cleaner can be used to get the smaller areas clean and dry.
2. Wipe with a clean cotton cloth. Repeat until all residue is off.
3. Apply some Tradition's Breech Plug grease onto the threads of the breech plug.
4. Place the breech plug in the receiver.
5. Slide the wrench onto the threads and screw it in clockwise.
6. Securely tighten the breech plug into the breech area.

### Installation of the Nipple:

1. Before installing a nipple, be sure to clean and lubricate the threads with Traditions Breech Plug/Nipple Grease or Wonderlube 1000 Plus. When lubricating, take care to not get any grease in flash hole of nipple. Pipe cleaners or a nipple pick are excellent to clean out the flash hole in nipples.
2. Place the nipple on the end of the wrench and insert it through the receiver (while squeezing the trigger) to thread it into the breech plug.
3. Snug the nipple into the breech plug. Take care not to overtighten.

## **ADJUSTABLE TRIGGER**

Your muzzleloader has an adjustable trigger that has been preset at the factory for optimum hunting performance. The adjustment screws have been fixed at the factory with a thread locking sealant.

**WARNING: No adjustments to the trigger or sear can be made except by the factory or a certified gunsmith only. Trigger pull should never be set to less than three pounds.**

## **LOADING**

For reasons of safety and proper performance, these loading instructions for your Traditions Muzzleloader must be followed closely. While some of the procedures may seem cumbersome, with practice they will soon become second nature and will make for safe, dependable and accurate shooting. (It is very helpful to have an experienced black powder shooter with you the first few times you load and shoot your muzzleloader.) If, after reading these instructions, you still have questions concerning the safe use of your

Muzzleloader, contact Traditions Customer Service Department. Follow these instructions in their sequence:

## **PROPELLANTS:**

If you have any questions regarding powder velocities and pressures please contact the manufacturer of the propellant.

1. Black powder, Pyrodex RS, Pyrodex Select, or Triple 7 powder are the only safe propellants to use in this muzzleloading shotgun. Maximum loads using Triple 7 loose powder must be reduced by 15%. We do not recommend using any type of palletized powder in the muzzleloading shotguns.
2. The term "black powder" does not refer to any powder black in color, since modern smokeless powders are also black in color.
3. Be certain that the propellant you select is commercially manufactured black powder, Pyrodex or Triple 7 for use in muzzleloaders.

**DANGER: The use of SMOKELESS POWDER in any TRADITIONS muzzleloaders will result in excessively high pressures and can cause serious damage to the muzzleloader and possible injury or death to the shooter and bystanders.**



4. Pyrodex® & Triple 7 is intended to be used on a volume-to-volume basis. It burns cleaner and produces less fouling build up than black powder.

## PROPELLANT RECOMMENDATIONS

### • 12 gauge shotguns:

2f/ffg (course granulation) black powder, Pyrodex RS, Pyrodex Select, or Triple 7 is recommended for use in Traditions muzzleloading shotguns. Pyrodex or Triple 7 pellets are not recommended.

### • Revolvers, pistols and .38 caliber (and under) rifles:

3f/ffg (standard granulation) black powder, Pyrodex P, .44/.45 Pellets or Triple 7 3F. Not recommended for Traditions muzzleloading shotguns.

• Store all propellants according to the manufacturer's instructions listed on each container. Local fire regulations should also be followed.

**CAUTION: Never smoke while loading, shooting or handling propellants. Always follow the manufacturer's safety precautions as listed on the propellant container.**

### PREPARING TO LOAD THE PROPELLANT:

1. Wear eye and ear protection.
2. Check to make sure nipple is securely tightened into breech plug. If necessary, tighten with correct size nipple wrench.
3. Make certain the gun is unloaded.
  - a. Move the safety into the "on" or "safe" position.
  - b. Insert the ramrod into the barrel, when it is touching the top of the breech plug it should be approximately flush with the barrel. Use a knife or scoring tool to mark the spot on the ramrod where the end of barrel and rod meet. This will be your "unloaded" reference mark.

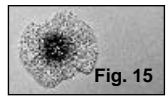
**Note: The ramrod could be slightly higher or lower. You should hear a metallic sound as the brass loading or cleaning jag makes contact with the breech plug.**

**Note: The muzzleloading shotgun uses a synthetic loading tip and so you may not hear the metallic sound when placing the rod down the barrel.**

c. Remove the ramrod and lay it along the outside of the barrel, aligning the reference mark with the muzzle. If the gun is unloaded, the loading end of the ramrod should be within 1 1/2" of the nipple.

d. If the distance between the loading end of the ramrod and the nipple is greater than 1 1/2", the barrel may be either obstructed or loaded. To remove the obstruction, remove the nipple and the breech plug. Do not attempt to clear the barrel by firing. Before loading anything into the barrel, clean all oil and grease from inside the barrel. We suggest a thorough cleaning like mentioned in the beginning of this manual. We recommend using Traditions cleaning products to enhance your accuracy and ease of shooting & cleaning.

4. Point the shotgun down toward a safe area on the ground and load a percussion cap or primer into nipple. Fire one or two caps or primers to blow out any oil or residue from the fire channel. Point the muzzle at a leaf or blade of grass to see if it moves. If it moves, you have a clear channel. If not, fire off a couple more caps.



5. Another way to see if you have a clear fire channel is to screw on a loading/cleaning jag on your ramrod and place a dry patch on the muzzle of your muzzleloader. Push the patch down to the breech plug face and leave ramrod & patch in bore. Point shotgun in safe direction, place cap or primer on nipple & fire two caps or primers. Remove ramrod from bore and inspect patch. Patch should have a complete circular burn in middle. This tells you that you have a clear fire channel.
6. Stand the butt of the shotgun on the ground so that the muzzle is pointed up and away from you and others. Never work with your face or any part of your body over the muzzle, even when the gun is unloaded.
7. Your shotgun is now ready to be loaded.

## **SELECTING THE POWDER CHARGE**

To achieve the best results with your shotgun, Traditions generally recommends using the volume-for-volume method of loading. This method employs the same amount of powder as shot, when measured by volume. To measure the powder charge, use a volumetric shotgun powder measure, such as Traditions' A1359 (see Fig. A & C). Set the scale on the powder measure to the desired charge (for example, 1 oz. by volume). Leave the measure set at 1 oz., and use the same volume of lead shot.

## **WAD SELECTION:**

Two to three wads are needed to load and fire your shotgun, depending on how you choose to load it:

1. The over powder wad should be a .125" card wad. This wad is placed and seated directly over the powder charge.
2. A cushion wad of 1/2" fiber or Traditions A1353 Wonder Lube 1000 Shotgun Wad is placed between the over powder wad and the shot charge to cushion the shot.
3. An over shot wad should be a .030" card wad. It is placed on top of the shot charge, to prevent the shot from rolling out of the barrel.
4. A better alternative to the over powder and cushion wads is a modern commercial one-piece plastic wad/shot cup, such as the Winchester AA shot cup. Traditions highly recommends this approach for faster, easier loading and better patterning.

## **SHOT SELECTION:**

Use LEAD SHOT ONLY in your Turkey Pro shotgun! Firing steel shot will damage the shotgun and void your warranty. Traditions recommends using #4, #5 or #6 lead shot.

## **RECOMMENDED LOADS:**

We recommend using #4, #5 or #6 LEAD shot. Do not use steel shot in your Turkey Pro shotgun. When using Hodgdon's Triple 7 loose powder, reduce all loads by 15%.

### **LIGHT LOAD**

1 oz. shot                      1 oz. 2F or Pyrodex

### **FIELD LOAD**

1 1/8 oz. shot                1 1/8 oz. 2F or Pyrodex

### **HEAVY LOADS**

1 1/4 oz. shot                1 1/4 oz. 2F or Pyrodex

These loads use the volume-for-volume loading method described in the Selecting the Powder Charge section of this manual. The one exception Traditions recommends to this rule is the following load:

**WARNING: Maximum charge, not to be exceeded, is 1 1/4 oz. measured with a VOLUMETRIC shotgun powder measure. If using a granular powder measure, maximum charge is 110 grains. Traditions strongly recommends using a volumetric powder measure specifically designed for shotguns, however.**

## TURKEY LOAD

1 1/4 oz. #4 or #5 shot 1 oz. 2F or Pyrodex

### LOADING YOUR SHOTGUN:

1. If using a choke tighter than modified, remove the choke tube. Loading with a full or extra-full choke installed will damage the wads.
2. Using a volumetric shotgun powder measure, fill the measure to the desired powder charge with 2F (ffg) black powder, Pyrodex, or Triple 7 (reducing charges of Triple 7 by 15%).

**Warning: Never load powder into a gun directly from a can, powder horn or flask. Always use a separate calibrated powder measuring device. A remaining spark or ember in the barrel may cause an ignition of the powder and cause harm to you, bystanders and the firearm.**

3. Pour the powder from the measure into the muzzle. Fig. A



4. Select a one-piece plastic wad, or a .125" card over powder wad, and place it into the muzzle. Fig. B



5. Using the ramrod, push the over powder wad down the barrel until it is seated firmly atop the powder charge.

6. If using a fiber cushion wad or a Wonder Lube 1000 shotgun wad (rather than a modern one-piece plastic wad), load it on top of the over powder wad. Be sure it is firmly seated.



7. Using the same powder measure, with the same setting used for the powder charge, measure the shot charge. Use lead shot only.

8. Pour the shot charge into the barrel. Fig. C

9. Select a .030" over shot wad and place it into the muzzle. Using the ramrod, firmly seat the over shot wad atop the shot charge. Do not pound on, or use excessive force on, the ramrod. Fig. D



### CAUTION: YOUR SHOTGUN IS NOW LOADED.

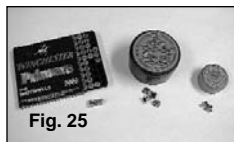
10. Using care not to let any part of your body cover the muzzle, reinstall the choke tube, if it was removed prior to loading.

## PRIMING YOUR SHOTGUN:

Your Turkey Pro shotgun is equipped with a 209 shotshell primer ignition system. This allows you to use standard, readily available 209 primers to fire your shotgun. Use only standard 209 primers. Use of magnum or other non-standard primers may be dangerous and/or cause damage to the shotgun.



**NOTE: Older Turkey Pro shotguns may be equipped with #11 or musket cap ignition systems. For these guns, use standard #11 percussion caps, or standard musket caps to fire the shotgun.**



## When Priming your Muzzleloader please follow these instructions:

1. Make sure that your muzzleloader is in the "safe" & "on" position.
  2. Point the muzzle in a safe direction.
  3. With the gun still pointed in a safe direction, move the bolt handle into the full cock or "ready to fire" position.
  4. Choose the correct 209 primer to fit your nipple. Using a capper or your finger, press the cap or primer over or into the nipple.
  5. When you are ready to fire, move the safety to "fire" or "off" position to shoot.
4. Your muzzleloader is now ready to fire.

## DEPRIMING YOUR SHOTGUN:

1. Use the provided depriming tool to remove a primer from the nipple.
2. Slide the tool alongside the inner part of the primer closest to the nipple and push the cap or primer off the nipple.

## IF YOUR GUN FAILS TO FIRE:

Anyone involved with muzzleloading firearms will experience a hangfire or misfire. The following are a few simple procedures that will help you to effectively manage such occurrences.

## Hangfire

A hangfire is a delayed ignition. The primer fires when the trigger is pulled and the main charge fires a brief moment later. There are many reasons that hangfires occur. If you are experiencing a substantial number of hangfires, there are a few possible causes that you need to evaluate.

### Verify the following:

1. Check that the load is packed tightly. Review loading procedures.
2. Verify that the primer is the correct size and properly fitted into the nipple.
3. Inspect that the ignition channel is clear of obstruction.
4. Check the condition of the nipple. Verify that it has not mushroomed on the end and that it is securely screwed into the breech plug.
5. Verify that the proper propellant is being used and that it is the proper granulation and free from moisture, contamination and oils.
6. Check the condition of the primers and propellant powder. For hunting situations, it is a wise practice to use fresh primers and powder. Use a fresh load for each day's hunting.
7. Make sure to prep your firearm by running a cleaning patch to clear the bore of oils, moisture and contamination. Fire two or three caps before loading to insure that the ignition channel is clear. See #7 in earlier section headed Preparation.

## Misfire

A misfire is a failure of either the cap or the main charge to ignite. This could be a very hazardous situation. Extreme caution should be exercised when dealing with a misfire.

Rarely is a misfire the fault of the muzzleloader. Generally, it can be attributed to a problem with the propellant or primer.

Should your gun fail to fire for any reason, keep the muzzle pointed at your target for at least one minute with the bolt closed. By doing so, you make sure you are prepared for the chance of a delayed ignition.

### If the primer did not fire:

1. Check to make certain that the primer was installed and is still securely positioned in the nipple.
2. Verify that the plunger face is free of debris.
3. Try a new primer.

### **If the primer fires but the main charge does not:**

1. Using a cleaning pick, verify that the hole in the nipple is clear of any obstruction.
2. Tap the butt pad of the muzzleloader with your hand to direct powder into the ignition channel. Recap, verify your target, and fire again.
3. Verify that propellant was loaded under your ball or bullet by running the ramrod down the muzzle and observing the measure marks on your ramrod. Use extreme caution to always keep the muzzle pointed in a safe direction.
4. Check for any mechanical defects to the nipple, breech plug, bolt and striker assembly or trigger.

If, after several attempts, your gun has repeatedly failed to fire, you will need to unload the muzzleloader. At this point a beginning shooter should seek assistance from an experienced shooter. Never leave an unfired charge in the barrel.

### **REMOVING THE SHOT AND THE CHARGE:**

1. Open the bolt and carefully remove the primer from the nipple.
2. Remove the bolt from the receiver.
3. Using the Breech Plug/Nipple Wrench, supplied with the muzzleloader, remove the nipple and breech plug assembly from the rear of the barrel.
4. Insert a ramrod into the muzzle and push the load out of the rear of the barrel. Take care not to get water or powder into the trigger mechanism.
5. Clean and wipe all surfaces of loose material.
6. Remember, when the powder dries, it will again be volatile. Dispose of properly.

**NOTE: It is also possible to drive the shot charge out the muzzle. However, an extra long bench rod or a standard ramrod with an extension will be needed to accommodate the added length of the receiver.**

### **SCOPE MOUNTING:**

All Traditions In-Line muzzleloaders are drilled & tapped for mounting a scope. To sight in your scope, please follow the scope manufacturer's directions.

## **CLEANING & MAINTENANCE:**

A systematic routine of cleaning while shooting is strongly advised to aid in avoiding problems while loading and to optimize accuracy.

1. When cleaning the bore, use cleaning patches rather than shooting patches. Shooting patches are too small for cleaning and can dislodge in the bore.
2. If a patch becomes lost in the bore, use Traditions Patch Puller Worm attached to a ramrod for retrieval, or if necessary, remove the breech plug and push the patch out through the breech area. Never load a charge over a lost patch.
3. If unusual resistance is felt while loading, place a cleaning patch treated with Traditions Wonder Lube 1000 Plus on the cleaning jag affixed to the end of a ramrod and run it the full length of the barrel several times with your objective being to remove as much of the fouling build up as possible.

**NOTE: Use black powder cleaning solution if the bore is heavily contaminated. An occasional cleaning of the bore with a brass Traditions Bore Brush is advisable to remove excessive fouling build-up.**

4. When target shooting or sighting in, develop a habit of consistently wiping the bore with Traditions Wonder Lube 1000 after each shot. Depending upon the specific load, temperature, and humidity, a short series of shots with black powder or Pyrodex can be fired before it becomes necessary to wipe the bore with Traditions Easy Clean or Traditions Wonder Lube in order to remove fouling build-up.

If for any reason the wad or shot charge will not go all the way down to the powder charge, it will be necessary to extract it from the barrel either with a bullet puller attachment on a ramrod or the breech plug can be removed, the charge removed and the stuck wad/shot charge forced out the end of the barrel with a long bench/range rod or an extended ramrod.

**NOTE: If the barrel is prepped and lubed at the onset, it is not necessary to clean and lube the interior of the barrel between shots when hunting.**



## CLEANING AFTER SHOOTING

**CAUTION:** Before cleaning, make absolutely certain the gun is unloaded and uncapped. Use the ramrod measuring method as described earlier.

Clean your gun as soon as possible after your shooting session. To leave a gun uncleaned, even overnight, can result in serious and damaging corrosion.

**ADVICE:** Take care when cleaning not to get water or solvent into the trigger assembly.

If the trigger assembly is affected, it will be necessary to remove the barreled-action, dry the trigger assembly and treat it with gun oil.

**NOTE:** Regardless of the cleaning method, you must remove and thoroughly clean the percussion nipple, the breech plug and the threads and breech area of the receiver during each cleaning. Be certain to lightly lubricate the threads of the nipple and breech plug with Traditions Wonder Lube 1000 before reinstalling. When reinstalling these parts, take care not to overtighten them.

**ADVICE:** Nipples are a relatively inexpensive yet a very critical component of muzzleloading shooting. Periodically changing to a new nipple is highly advised.

### Cleaning Method

A thorough cleaning requires the complete disassembly of the firearm.

1. Make sure the firearm is unprimed.
2. Remove the bolt or plunger assembly from the receiver. Refer to disassembly section if unsure how to do this.
3. Using Breech Plug/Nipple wrench, remove the nipple and breech plug from breech.
4. Remove stock from barrel. Refer to Disassembly section if unsure how to do.
5. Remove Trigger assembly by unscrewing allen screws (2) from barrel with a 3mm allen wrench.
6. Pour 8-10 inches of hot, soapy water into a secured pail.
7. Immerse the receiver end of the barrel into the cleaning solution so that the water is above the breech opening.

8. Using a cleaning patch or brush affixed to a cleaning jag, pump the soapy water repetitively through the barrel by raising and lowering the ramrod until bore is clean.
9. When the bore is clean, remove barrel from liquid. Run cleaning patches up and down bore to dry inside. Wipe outside of barrel with dry cloth. Dry receiver and breech area dry.
10. Lightly coat outside and inside of barrel and all other metal parts with Wonderlube 1000 plus
11. Clean all residue off inside and outside of the stock.
12. Clean and then lightly oil all bolt parts.
14. Reassemble the entire muzzleloader.

**NOTE: An extra long bench/range ramrod is necessary for this cleaning method given that it must be as long as the barrel and receiver. Visit your Traditions retailer for this type of rod.**

**NOTE: Store your muzzleloader in a cool, dry, secured area. Storage in a gun case is discouraged, as it may hasten condensation and corrosion. During long periods of storage, periodically check for signs of pitting or rusting on the surface and in the barrel bore.**

Write to Traditions for a current catalog showing a complete line of firearms, ammunition, and accessories or view it on our web site [www.traditionsfirearms.com](http://www.traditionsfirearms.com). Your local retailer can special order any Traditions products you want.


Call or write for a free Traditions catalog, showing the largest selection of muzzleloading guns and accessories available.

**1-800-526-9556**

**[www.traditionsfirearms.com](http://www.traditionsfirearms.com)**



# PREFERRED CUSTOMER WARRANTY REGISTRATION CARD



Referencing the label on the end of the carton, please write in the last 5 digits located on the right half of the UPC code into the boxes below.

UPC # 0 | 4 | 0 | 5 | 8 | 9 | - | | | | |

Model # \_\_\_\_\_

Serial # (from barrel) \_\_\_\_\_

Name \_\_\_\_\_ Age \_\_\_\_\_

Street \_\_\_\_\_

City \_\_\_\_\_ State \_\_\_\_\_ Zip \_\_\_\_\_

Day Time Phone # \_\_\_\_\_ Date of Purchase \_\_\_\_\_

Purchase Price \_\_\_\_\_ Store Name \_\_\_\_\_

1. **What is your age?**  Under 18  18-24  25-34  35-44  45-54  55-64  over 65
2. **Reason for your purchase**  Hunting  Target Shooting  Personal use  Gift  Raffle Prize  Other
3. **Do you own?**  Other muzzleloaders  Over/Under Shotgun  Side by Side Shotgun  Semi-Auto Shotgun  Pump Shotgun  Cartridge Rifle  Handgun  Bow
4. **Where purchased?**  Gun Shop  General Sporting Goods Store  Hardware Store  Chain Store  Mail Order Catalog  Internet Store
5. **Is this your first muzzleloader?**  Yes  No
6. **Which factors influenced your purchase?**  Previously owned a Traditions product  Magazine Ad/Article  Internet/Website  Traditions Catalog  Recommendation of Salesperson  Recommendation of a Friend  Price  Features  Other
7. **What type of game do you hunt?**  Whitetail Deer  Mule Deer  Elk  Bear  Antelope  Turkey  Small Game  Other
8. **What do you think is the best way to get information about Hunting & Hunting products?**  Magazine Ads  Internet/Website  Television Programs  Radio
- 9a. **Which magazine do you read?** \_\_\_\_\_
- b. **Which TV hunting show do you watch?** \_\_\_\_\_

Check here to receive a free Traditions catalog showing muzzleloadings' largest selection of firearms and accessories or visit our website at [www.traditionsfirearms.com](http://www.traditionsfirearms.com)

To receive a Traditions Firearms Logo cap and catalog, send \$11.95 along with your warranty registration card.



**NOTE: Return this card within 15 days of purchase in order to validate your limited lifetime warranty.**

Please complete all information above and mail to:

**TRADITIONS™**  
**PERFORMANCE FIREARMS**

P.O. Box 776 • Old Saybrook, CT 06475-0776  
[www.traditionsfirearms.com](http://www.traditionsfirearms.com)

Cut Along Dotted Line

