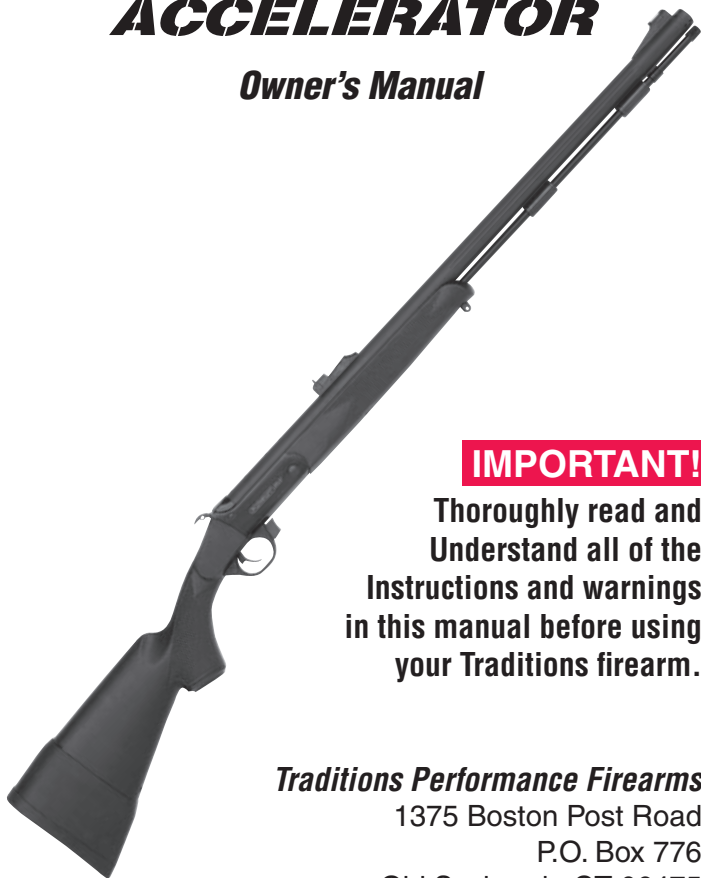


Traditions™

PERFORMANCE FIREARMS

PURSUIT™
BREAK-OPEN MUZZLELOADER
ACCELERATOR

Owner's Manual



IMPORTANT!

Thoroughly read and Understand all of the Instructions and warnings in this manual before using your Traditions firearm.

Traditions Performance Firearms

1375 Boston Post Road

P.O. Box 776

Old Saybrook, CT 06475

www.traditionsfirearms.com

Email: **info@traditionsfirearms.com**

Traditions Corporate Office 860-388-4656

I. TRADITIONS' WARRANTY PROTECTION INCLUDED WITH YOUR NEW GUN

Thank you for purchasing the Traditions muzzleloader. Quality, pride and old world craftsmanship has gone into your new Traditions muzzleloader. We work hard to provide the best value and performance possible, we back it up with a limited lifetime warranty. Should you ever experience mechanical difficulty with your new Traditions firearm, be assured that we are staffed and equipped to correct it quickly. Your satisfaction with your firearm is very important to Traditions.

PLEASE HELP US SERVE YOU BETTER

In the event you should have questions pertaining to the function or performance of your new Traditions firearm please visit our website to get answers to the most commonly asked questions. Log on to www.traditionsfirearms.com where you will find the FAQ's page. This page will get you fast access to trouble shooting solutions. If you do not find an answer to your specific question on the FAQ page of our website please feel free to email through the website at info@traditionsfirearms.com and a qualified member of our team will respond to your individual question as quickly as possible. If in the event you still need assistance please do not hesitate to contact Traditions and a member of our Customer Service Department will be happy to assist.

In the unlikely event you need warranty service on your new firearm; we need your help to get the work done right and without delay. It's as easy as dropping us a note or picking up the telephone. For your convenience Traditions engraves the caliber, serial number and model name on each barrel or frame. Take note of this information, record it on the warranty page in this manual and be prepared to state it when contacting the Traditions Customer Service Department with your questions. Contact Traditions at 860-388-4656, tell us what problem you are experiencing and we'll get busy to remedy your situation.

Help is just a phone call away should you experience a problem. Simply follow these four simple steps and we'll get your firearm back in perfect working order in the shortest possible time.

1. Do not return your firearm to the dealer. You can save time by following the steps outlined below.
2. Do call us and describe the problem. Chances are we can either guide you to a solution right over the phone or when possible send you the parts you need to correct the problem.
3. Should your gun need factory service, we will give you instructions about where to ship it and issue you a Return Merchandise Authorization number.
4. We will inspect your firearm and make necessary repairs that are covered under warranty.

Often we can help you by phone, call before you return your Traditions firearm for service. Good Shooting!

(860) 388-4656

Important: All firearms must have a factory issued Return Merchandise Authorization number (RMA#) before returning to Traditions for warranty service.

TABLE OF CONTENTS

Pursuit Accelerator Break Action Rifle

I.	WARRANTY PROTECTION	2
II.	BREAK ACTION OVERVIEW	4
III.	THE SPORT OF MUZZLELOADING	4
IV.	MUZZLELOADING "MUSTS".	4
V.	RULES OF FIREARM SAFETY	6
VI.	SCHEMATICS	8
VII.	OUT OF THE BOX	12
VIII.	SAFETIES	13
IX.	DISASSEMBLY	13
X.	IGNITION & BREECH PLUGS	14
XI.	LOADING PROCEDURES.	15
XII.	PRIMING YOUR MUZZLELOADER	19
XIII.	DE-CAPPING YOUR MUZZLELOADER	20
XIV.	HANG FIRES & MISFIRES.	21
XV.	REMOVING THE CHARGE.	22
XVI.	SIGHTING IN.	22
XVII.	SCOPE MOUNTING	23
XVIII.	RECOMMENDED LOADS.	23
XIX.	CLEANING & MAINTENANCE	24
XX.	HELPFUL ACCESSORIES	25
XXI.	LIMITED LIFETIME WARRANTY	26
XXII.	WARRANTY REGISTRATION CARD	27

II. BREAK ACTION RIFLE OVERVIEW

Break-Action design firearms are so described due to the fact that the barrel and receiver are joined by a pivoting hinge. When the action release is depressed in a rearward motion, the receiver and barrel open in a breaking motion. A variety of finishes & stock configurations are available.

III. THE SPORT OF MUZZLELOADING

More and more sportsmen have discovered the challenges and enjoyment of muzzleloading in the past years. For both hunting and target shooting, muzzle-loading guns have helped a modern generation recapture and enjoy an important aspect of our nation's sporting past. Traditions Muzzleloaders are firearms that represent the latest developments in this unique part of the shooting sports. They are manufactured to modern standards for safe and enjoyable shooting. This booklet is intended as a basic guide for the proper maintenance, loading and shooting of Traditions muzzleloaders, and it offers important rules and precautions for safe handling and shooting of this type of firearm. In addition to this booklet, it is recommended that the novice obtain further information and instruction before firing a muzzleloader.

Sources for this help include:

1. National Muzzle Loading Rifle Association
2. National Rifle Association
3. Your town clerk, local sporting goods dealer, state DEP or conservation department
4. Contact your local muzzleloader or hunting club.

IV. MUZZLELOADING 'MUSTS' FOR MUZZLELOADING SUCCESS

You must:

1. Read completely, fully understand and follow all instructions and warranty limitations in this booklet before attempting to shoot your new Traditions break open muzzleloader.
2. Always treat any firearm as if it is loaded and keep the muzzle pointed in a safe direction.
3. Always wear proper eye and ear protection when loading or firing any firearm.
4. Don't shoot until you are absolutely sure of your target and what is beyond it. Do not point your firearms at anything you do not intend to shoot. Be sure that all bystanders are safely positioned behind you and that they are aware that you are about to shoot. All bystanders must also wear eye and hearing protection when in the vicinity of anyone using a firearm.
5. Use only the proper grade of black powder or black powder substitutes such as Pyrodex® powder, Pyrodex® Pellets or Triple 7® powder & Triple 7® pellets in properly measured amounts. Be sure to reference the chart in this booklet for recommended loads. Reduce charges of Triple 7® powder by 15%. For example, if you were using 150 grains of Pyrodex® powder and began to use Triple 7® powder, you would only use 130 grains of Triple 7®. Always consult the directions from the powder manufacturer before handling and loading any type of powder.

6. Never use any amount of smokeless gun powder in your muzzleloader. Although also black in color, smokeless powder is a very different chemical composition and it will produce dangerous pressures resulting in serious injury or death to yourself, bystanders and it will destroy your firearm.
7. Never smoke or permit others to smoke in the presence of black powder, Pyrodex®, Triple 7® or any other black powder substitute. Take care to guard against all potential ignition sources.
8. Never take drugs and/or drink alcoholic beverages before and during shooting.
9. Be certain that the powder, patches and projectiles are properly sized and measured and are loaded in the proper sequence and that the projectile is firmly seated on top of the propellant. See Section XI for proper loading instructions.
10. Use only cotton or linen shooting patches when loading round lead balls. Do not use any type of plastic patches.
11. Never load powder into a gun directly from a can, powder horn or flask. Always use a separate calibrated powder measuring device. A remaining spark or ember in the barrel may cause an ignition of the powder and cause injury or death to you, bystanders and destroy your firearm.
12. A firearm's safety is a mechanical device which can fail. Always be mindful of where the safety lever is set and routinely verify its setting. Never solely rely on any rifle's safety. Always treat every gun as if it were loaded and ready to fire. Only cap or primer your muzzleloader when you are ready to fire. Uncap or un-prime your muzzleloader when you are done shooting or hunting.
13. Always disable your muzzleloader by carefully removing the percussion cap, musket cap or 209 primer and unloading the barrel when immediate shooting is not planned.
14. Never cap your firearm until you are ready to fire. Never install a percussion cap, musket cap or primer on the nipple before the gun is loaded. When loaded, a bump or unintentional pressure could result in the discharge of the firearms resulting in a serious accident.
15. Always store the powder, gun and percussion caps, musket caps or primers in separate locked places. Always keep all firearms and ammunition components secured and separate away from children. Never store a loaded gun.
16. In the event of a misfire, assume the gun could fire at any moment. Keep gun pointed down range with the action closed. Wait at least one minute before recapping, re-priming or removing the load from the barrel.
17. Never load a muzzleloading firearm indoors. Only load your firearm in a location where it is safe to shoot.
18. Be certain that anyone firing this muzzleloader understands and is willing to follow the instructions and precautions in this manual and the fundamentals of safe firearm handling.
19. Always make certain that the safety is in the "on" position and the hammer is in the "at rest" position when installing the primer.
20. A great way to understand more about all types of firearms is to take a Hunter's Safety course

V. RULES OF FIREARMS SAFETY

1. Read completely, fully understand and be willing to follow all instructions and warranty limitations in this booklet before attempting to shoot your firearm.
2. Point the muzzle in a safe direction at all times. A "safe direction" is one in which, if the firearm were to discharge, there would be no injury to anyone. Never point a gun (Whether you think it is loaded or unloaded) directly at another person or at yourself. A bullet can penetrate walls, ceilings, floors, doors, windows, and many other materials and kill or injure someone on the opposite side.
3. Always check to make sure your firearm is in good working order before use. Test the hammer, trigger, and breeching lever carefully prior to loading. Check the barrel for any obstructions, as any obstruction can cause the barrel to burst causing severe injury or death. Keep your finger off the trigger and outside the trigger guard until you are aimed at a proper target and have decided to fire. If your finger is inside the trigger guard, you could fire your gun without intending to, for instance, if you were startled, or if you slipped or lost your balance.
4. Always treat any firearm as if it is loaded.
5. Always wear proper eye and ear protection when loading or firing any firearm.
6. Be sure of your target, and what is around and beyond it. The projectile fired from your firearm can travel several hundred yards, and has the potential to kill or seriously injure someone at that distance! Once you pull the trigger, you cannot call the projectiles back, so you must positively identify your target before you fire. Fire only with a safe backstop behind your target - something that will stop and contain the projectiles you fire, even if you miss the target or your projectile passes through it.
7. Do not point your firearms at anything you do not intend to shoot. Be sure that all bystanders are safely positioned behind you and that they are aware that you are about to shoot. Be mindful that this firearm has a range in excess of a half a mile.
8. Whenever you handle a firearm that, even momentarily, has been out of your direct control, start by checking its condition to determine whether or not it is loaded. A firearm in your hands is a lethal weapon which is YOUR responsibility, so YOU must check it yourself, NOW, not later. Do not rely on someone else to check it.
9. Never take drugs and/or drink alcoholic beverages before and during shooting.
10. Never use any firearm unless you completely understand how it operates and how its safety features work. If you are not already an experienced firearms user, you should obtain training in the safe and proper use of firearms by attending one of the many firearms safety and shooting courses offered in all parts of the country by the National Rifle Association (telephone 703-267-1000), gun clubs and ranges, gun shops, shooting schools and other qualified sources of instruction.
11. No projectiles other than those specifically recommended by Traditions may be used in your firearm.
12. Before firing any firearm, be sure it is in good working order and that the barrel is clear of dirt, grease, water, excess oil, rust, corrosion or any other obstruction.

13. Always be mindful of where the safety is set and routinely verify its setting. Never solely rely on any rifle's safety. It is prudent to always treat every gun as if it were loaded and ready to fire. A firearm's safety is a mechanical device which can fail.
14. Never give a firearm to anyone, or take a firearm from anyone, unless it is unloaded and the action is open. If someone tries to hand you a firearm with the action closed, politely ask them to open it before you take it from them.
15. Always unload your firearm when immediate shooting is not planned.
16. Never leave a loaded firearm unattended.
17. Never climb, jump or move abruptly while carrying any loaded firearm.
18. Never transport a loaded firearm nor shoot one from within a vehicle.
19. Always store the ammunition and rifle in separate locked places. Always keep all firearms and ammunition components secured and separate away from children. Never store a loaded gun.
20. In the event of a misfire, assume the gun could fire at any moment. Keep gun pointed down range with the action closed. Wait at least one minute before unloading.
21. Never load a firearm indoors. Only load your firearm in a location where it is safe to shoot.
22. Be certain that anyone firing this firearm understands and is willing to follow the instructions and precautions in this manual and the fundamentals of safe firearm handling.
23. Never shoot at a hard, flat surface or the surface of water.
24. When shooting, be alert to be sure no one comes into the line of fire. Check the backstop and target area carefully to be sure it is free of people each time before you begin to fire. When firing with a group of people, put a responsible person in charge to maintain safety, discipline and control to reduce the chance of accidents. On a firing range, be alert to the commands of the range officer, and follow them precisely and immediately. Never fire your gun near an animal, unless it is trained to accept the noise of gunfire. An animal's startled reaction to the sound of gunfire could injure it or could cause an accident.
25. If the firearm is dropped or struck a hard blow, open action and unload the firearm. Check the bore for obstructions. Verify that the hammer and trigger function properly and that there are no broken or damaged parts. Take the firearm to a qualified gunsmith for inspection and repair if any problems are found.
26. Refer to Section XIX for cleaning and maintenance instructions.

Take time now to acquaint yourself with your Traditions Firearm. If you have any questions regarding your firearm after reviewing this information, please contact the Traditions Customer Service Department for assistance.

MAKE SURE THAT THE FIREARM IS UNLOADED BEFORE PROCEEDING.
Make sure firearm is pointed in a safe direction at all times and your finger is outside the trigger guard.

Verify firearm is unloaded by using action release button in a rearward direction to open action and visually verify that there are no live or spent primers in the breech plug. If there are spent or live primers remove them immediately.

VI. SCHEMATICS

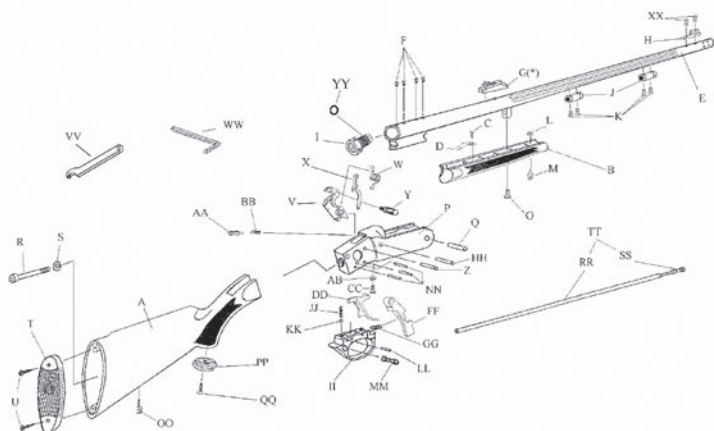
TRADITIONS™

Pursuit XLT Accelerator Rifle - AW Composite -

Models:

R-76003550

.50 cal. Perc. 1-28"
Blued Barrel



Description	Reference	Description	Reference
A Rear Stock (A/W Composite) (Finished)	FCS78001-2	Y Hammer Handle	710004
B Fore Stock (A/W Composite) (Finished)	FCS71001-1	Z Hammer Pin	M710031
C Ramrod Retaining Spring Screw	21817	AA Firing Pin	71007
D Ramrod Retaining Spring	400030	BB Firing Pin Spring	M71011
E Barrel Assembly (Kit) (Length 28") .50 Cal perc. (1-28" Twist)	C-760035-B	CC Firing Pin Retaining Screw	M710021
Barrel Assembly (Finished) (Length 28") .50 Cal perc. Blued (1-28" Twist)	FB760035	DD Trigger	71003
F Plug Screw (4)	26029	FF Barrel Catch	71005
G Fiber Optic Rear Sight	50610-FO	GG Barrel Catch Spring	M71017
H Fiber Optic Front Sight	M50611-FO	HH Barrel Catch Pin	M710023
I Accelerator Breech Plug (SS)	M7400099	II Trigger Guard	M710027
J Ramrod Thimble	400032-P	JJ Trigger Guard Spring	M71015
K Ramrod Thimble Screw (2)	400031	KK Pin	71000
L Sling Swivel Stuf- Front Nut	60122	LL Safety Pin	M710029
M Sling Swivel Stuf- Front	37122	MM Safety	710032
O Forend Stock Screw	10035	NN Trigger Guard and Trigger Pin (3)	710025
P Frame (Blued/Alloy)	74004	OO Sling Swivel Stud Rear	37013
Q Frame Pivot Pin	710024	PP Pistol Grip Cap	78104
R Tang Screw	71016	QQ Pistol Grip Cap Screw	50105
S Tang Screw Washer	71019	RR Ramrod (28")	100030
T Buttpad	74026	SS Ramrod Tip .50cal (Aluminum)	100028
U Buttpad Mounting Screws	20634	TT Ramrod Assembly	110011
V Hammer	71002	VV Accelerator Breech Plug Wrench	730029
W Hammer Spring	M71018	WW Allen Wrench	M1005
X Transfer Bar	71006	XX Front Sight Mounting Screws	50620
		YY Rubber O-Ring	70016
		AB Firing Pin Screw Washer	71020

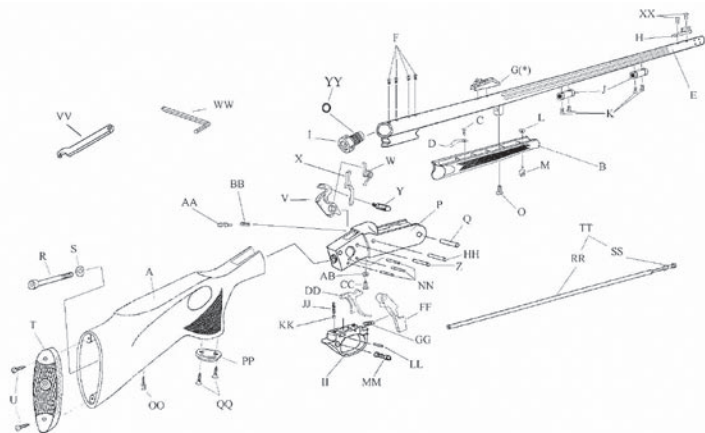
TRADITIONS™

Pursuit XLT Accelerator Rifle -AW Composite Thumbhole-

Models:

R-78003550

.50 cal. Perc. 1-28"
Blued Barrel



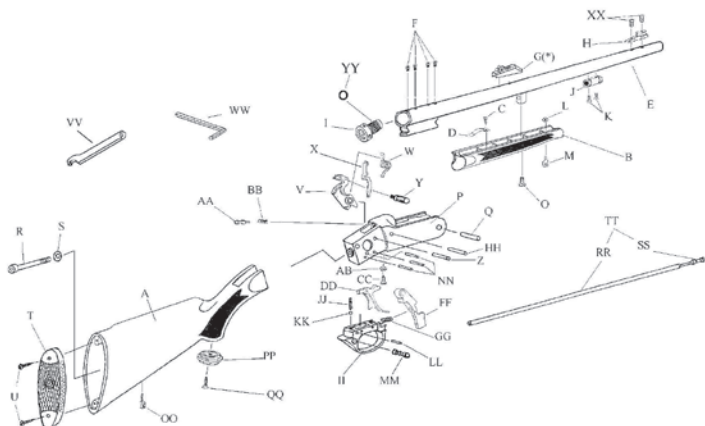
Description	Reference	Description	Reference
A Rear Stock (A/W Composite) (Finished)	FCS71001-2	Y Hammer Handle	710004
B Fore Stock (A/W Composite) (Finished)	FCS71001-1	Z Hammer Pin	M710031
C Ramrod Retaining Spring Screw	21817	AA Firing Pin	71007
D Ramrod Retaining Spring	400030	BB Firing Pin Spring	M71011
E Barrel Assembly (Kit) (Length 28") .50 Cal perc. (1-28" Twist)	C-760035-B	CC Firing Pin Retaining Screw	M710021
Barrel Assembly (Finished) (Length 28") .50 Cal perc. Blued (1-28" Twist)	FB760035	DD Trigger	71003
F Plug Screw (4)	26029	FF Barrel Catch	71005
G Fiber Optic Rear Sight	50610-FO	GG Barrel Catch Spring	M71017
H Fiber Optic Front Sight	M50611-FO	HH Barrel Catch Pin	M710023
I Accelerator Breech Plug (SS)	M7400099	II Trigger Guard	M710027
J Ramrod Thimble	400032-P	JJ Trigger Guard Spring	M71015
K Ramrod Thimble Screw (2)	400031	KK Pin	71000
L Sling Swivel Stuf- Front Nut	60122	LL Safety Pin	M710029
M Sling Swivel Stuf- Front	37122	MM Safety	710032
O Forend Stock Screw	10035	NN Trigger Guard and Trigger Pin (3)	710025
P Frame (Blued/Alloy)	74004	OO Sling Swivel Stud Rear	37013
Q Frame Pivot Pin	710024	PP Pistol Grip Cap	50104
R Tang Screw	71016	QQ Pistol Grip Cap Screw	50105
S Tang Screw Washer	71019	RR Ramrod (28")	100030
T Buttpad	74026	SS Ramrod Tip .50cal (Aluminum)	100028
U Buttpad Mounting Screws	20634	TT Ramrod Assembly	110011
V Hammer	71002	VV Accelerator Breech Plug Wrench	730029
W Hammer Spring	M71018	WW Allen Wrench	M1005
X Transfer Bar	71006	XX Front Sight Mounting Screws	50620
		YY Rubber O-Ring	70016
		AB Firing Pin Screw Washer	71020

TRADITIONS™

Pursuit LT Accelerator Rifle - AW Composite -

Models: R-74003550

.50 cal. Perc. 1-28"
Blued Barrel



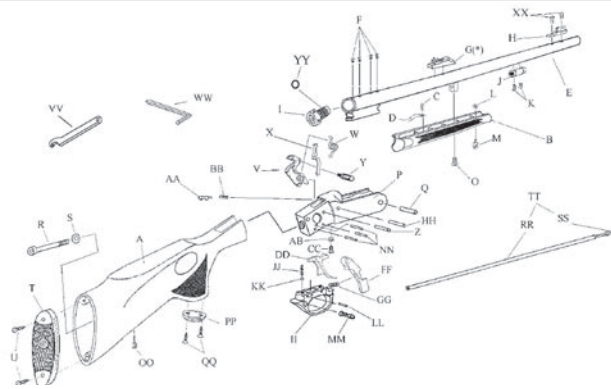
Description	Reference	Description	Reference
A Rear Stock (A/W Composite) (Finished)	FCS71001-2	Y Hammer Handle	710004
B Fore Stock (A/W Composite) (Finished)	FCS71001-1	Z Hammer Pin	M710031
C Ramrod Retaining Spring Screw	21817	AA Firing Pin	71007
D Ramrod Retaining Spring	400030	BB Firing Pin Spring	M71011
E Barrel Assembly (Kit) (Length 26") .50 Cal perc. (1:28" Twist)	C-710035-B	CC Firing Pin Retaining Screw	M710021
Barrel Assembly (Finished) (Length 26") .50 Cal perc. Blued (1:28" Twist)	FB710035	DD Trigger	71003
F Plug Screw (4)	26029	FF Barrel Catch	71005
G Fiber Optic Rear Sight	50610-FO	GG Barrel Catch Spring	M71017
H Fiber Optic Front Sight	M50611-FO	HH Barrel Catch Pin	M710023
I Accelerator Breech Plug (SS)	M7400099	II Trigger Guard	M710027
J Ramrod Thimble	400032-P	JJ Trigger Guard Spring	M71015
K Ramrod Thimble Screw (2)	400031	KK Pin	71000
L Sling Swivel Stuf- Front Nut	60122	LL Safety Pin	M710029
M Sling Swivel Stuf- Front	37122	MM Safety	710032
O Forend Stock Screw	10035	NN Trigger Guard and Trigger Pin (3)	710025
P Frame (Blued/Alloy)	74004	OO Sling Swivel Stud Rear	37013
Q Frame Pivot Pin	710024	PP Pistol Grip Cap	50104
R Tang Screw	71016	QQ Pistol Grip Cap Screw	50105
S Tang Screw Washer	71019	RR Ramrod (26")	110030
T Buttpad	74026	SS Ramrod Tip .50cal (Aluminum)	100028
U Buttpad Mounting Screws	20634	TT Ramrod Assembly	110011
V Hammer	71002	UU Accelerator Breech Plug Wrench	730029
W Hammer Spring	M71018	WW Allen Wrench	M1005
X Transfer Bar	71006	XX Front Sight Mounting Screws	50620
		YY Rubber O-Ring	70016
		AB Firing Pin Screw Washer	71020

TRADITIONS™

Pursuit LT Accelerator Rifle - AW Composite Thumbhole-

Models: R-75003550

.50 cal. Perc. 1-28"
Blued Barrel

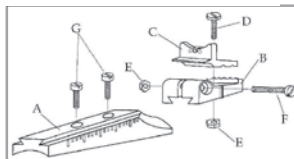


Description	Reference	Description	Reference
A Rear Stock (A/W Composite) (Finished)	FCS78001-2	Y Hammer Handle	710004
B Fore Stock (A/W Composite) (Finished)	FCS71001-1	Z Hammer Pin	M710031
C Ramrod Retaining Spring Screw	21817	AA Firing Pin	71007
D Ramrod Retaining Spring	400030	BB Firing Pin Spring	M71011
E Barrel Assembly (Kit) (Length 26") .50 Cal perc. (1:28" Twist)	C-710035-B	CC Firing Pin Retaining Screw	M710021
Barrel Assembly (Finished) (Length 26") .50 Cal perc. Blued (1:28" Twist)	FB710035	DD Trigger	71003
F Plug Screw (4)	26029	FF Barrel Catch	71005
G Fiber Optic Rear Sight	50610-FO	GG Barrel Catch Spring	M71017
H Fiber Optic Front Sight	M50611-FO	HH Barrel Catch Pin	M710023
I Accelerator Breech Plug (SS)	M7400099	II Trigger Guard	M710027
J Ramrod Thimble	400032-P	JJ Trigger Guard Spring	M71015
K Ramrod Thimble Screw (2)	400031	KK Pin	71000
L Sling Swivel Stuf- Front Nut	60122	LL Safety Pin	M710029
M Sling Swivel Stuf- Front	37122	MM Safety	710032
O Forend Stock Screw	10035	NN Trigger Guard and Trigger Pin (3)	710025
P Frame (Blued/Alloy)	74004	OO Sling Swivel Stud Rear	37013
Q Frame Pivot Pin	710024	PP Pistol Grip Cap	78104
R Tang Screw	71016	QQ Pistol Grip Cap Screw	50105
S Tang Screw Washer	71019	RR Ramrod (26")	110030
T Buttpad	74026	SS Ramrod Tip .50cal (Aluminum)	100028
U Buttpad Mounting Screws	20634	TT Ramrod Assembly	110011
V Hammer	71002	VV Accelerator Breech Plug Wrench	730029
W Hammer Spring	M71018	WW Allen Wrench	M1005
X Transfer Bar	71006	XX Front Sight Mounting Screws	50620
		YY Rubber O-Ring	70016
		AB Firing Pin Screw Washer	71020

TRADITIONS™

Fiber Optic Rear Sight

- Ref. 50610-FO



Description	Reference
A Rear Sight Base (Round)	50613
B Elevator Base	50614
C Rear Blade With Fiber Optic	50615-FO
D Windage Adjustment Locking Screw	50617
E Hex Nut (2)	50618
F Elevation Adjustment Locking Screw	50616
G Rear Sight Mounting Screw (2)	50622

VII. “OUT OF THE BOX” PREPARATIONS

MAKE SURE THAT THE MUZZLELOADER IS UNLOADED BEFORE PROCEEDING.

To check if the muzzleloader is unloaded, remove the ramrod, unscrew the jag and re-attach at the opposite end of the jag. Place the ramrod down the barrel. The ramrod should sit 3/4” below the muzzle. You should also be able to hear a metallic sound of the brass jag hitting the face of the breech plug. If your ramrod extends beyond the muzzle or you do not hear a metallic sound you will need to disassemble the muzzleloader and remove the obstruction before proceeding. Refer to the Section IX & XV.

BEFORE YOU USE YOUR MUZZLELOADER, CLEAN & LUBRICATE IT!

These are brief instructions on what to do before you use your muzzleloader for the first time. Please review the Disassembly instructions inside for the complete set of instructions. When you first remove the new muzzleloader from the box there will be some manufacturing oils and grease for shipping purposes. These residues need to be removed so that the muzzleloader will function properly.

WARNING!

Make sure the firearm is unloaded with the safety in the “on” position.

Refer to Section VIII for safety operation.

1. Remove ramrod from the thimbles.



2. With action closed, unscrew the forend screw and remove the forend.



3. Remove the barrel from the receiver by pushing the action release button in. When the barrel starts to open lift the barrel out of the receiver. Unscrew and remove breech plug by using the breech plug wrench supplied with the muzzleloader and clean all items with hot, soapy water or muzzleloader bore solvent. This will remove any manufacturing residue that may be on the inside or outside of the barrel.



4. Dry all of the parts completely.

5. Apply a light coat of Traditions EZ Clean™ solvent to a dry patch (or use Traditions pre-soaked patches) and run up & down the bore, then use Traditions Wonderlube pre-lubed patches to “season” the lands & grooves of the rifling before loading. This will allow for easier loading and cleaning throughout your shooting sessions.

6. Generously lubricate the threads of the breech plug with Traditions Breech plug grease.



7. Now reassemble your firearm.

VIII. SAFETIES INCLUDED WITH YOUR MUZZLELOADER

The Traditions Break Open muzzleloader uses two (2) types of safety mechanisms.

The first one is a hammer block which is built into the sear of the trigger. This blocking system prevents the hammer from traveling forward and making contact with the firing pin, unless the trigger has been pulled and held fully rearward. The second block is a mechanical safety in the trigger that blocks the trigger from being pulled back and allowing the sear to become disengaged. The hammer can only be cocked when the trigger safety is in the “Fire” position.



WARNING!

Check and inspect both safeties for proper function before each use and after each cleaning. If the hammer does not return to the “at rest” position, the gun must be returned to the factory for inspection and repair. Failure to follow this rule can result in an accidental discharge which may cause injury and/or death to the shooter or bystanders and damage to property.

CAUTION!

With the safety set in the “Fire” (F) position and with the hammer pulled back to the fully cocked position, the gun is now ready to fire. Never rely totally on the firearms mechanical “safety” device. The word “Safety” describes a firearms trigger block mechanism. This mechanical device is designed to place your firearm in a safer status. No Guarantee can be made that the firearm absolutely will not fire even if the safety is set on the “Safe” (S) position. Like any mechanical device, a “Safety” can sometimes fail. It can be jarred or inadvertently manipulated into an unsafe condition. Never test the safety while your firearm is loaded or at any time while it is pointed in an unsafe direction.

A Note About Maintenance Procedures:

Proper maintenance and cleaning of your new muzzleloader will require you to remove the barrel from the receiver. You must clean the muzzleloader each time it is used. Please see the Disassembly and Cleaning sections for more information. Take time before such cleaning to study the Disassembly/Assembly procedures and the accompanying photographs to thoroughly acquaint yourself with your rifle's subassemblies.

IX. DISASSEMBLY:

Before proceeding with disassembly and maintenance of your rifle, make certain the gun is unloaded and that the cap or primer has been removed.

1. Remove the ramrod and make sure the gun is unloaded. See Section XV.
2. With gun closed, unscrew forend and remove.
3. Open the action and lift barrel from the receiver.
4. To re-assemble, pull action release button and lower the barrel back into the receiver.

WARNING!

DO NOT ATTEMPT TO DISASSEMBLE THE RECEIVER. THIS INCLUDES ANY PINS HOLDING THE RECEIVER TOGETHER. CLEAN AS A COMPLETE UNIT. IF YOU ATTEMPT TO DISASSEMBLE ANY PART OF THE RECEIVER IT WILL AUTOMATICALLY VOID ANY WARRANTY ON THIS FIREARM AND CAN MAKE THE FIREARM UNSAFE FOR USE AND MAY CAUSE MAJOR INJURY OR DEATH.

X. IGNITION & BREECH PLUGS

Your muzzleloader is equipped to use a standard 209 shotgun primer for the ignition. The 209 primer area is built directly into the breech plug. Make sure that you remove the 209 breech plug and clean the threads of both the breech plug and inside of the barrel before ever firing your muzzleloader. You must lubricate the thread of the breech plug with Traditions breech plug grease before you install it back into the barrel. This will help prevent the breech plug from getting stuck inside the barrel after shooting.

Note: Breech plugs will wear out over time and should be replaced periodically. We recommend that you purchase at least one extra breech plug for emergencies in the field or at the range. We recommend that you replace your breech plugs after every year and nipples after every hunting season.

REMOVAL / CLEANING OF THE ACCELERATOR BREECH PLUG:

1. Using your fingers rotate the breech plug counter clockwise to remove from the barrel. The Accelerator Breech Plug removes in just 3 full rotations from the barrel.
2. Using EZ Clean solvent and a soft bristle brush remove the factory oil and grease from the threads of the breech plug.
3. Inspect the o-ring to be sure it is not worn or damaged. If so remove and replace with a new one.



Note: O-rings are available for purchase from your local Traditions dealer or online at www.traditionsfirearms.com.

4. Dry the breech plug and lube the threads and o-ring with Traditions breech plug grease or the appropriate anti-seize grease. Not using the recommended lubricant will cause o-ring damage and breech plug seizure.

Note: If the plug is difficult to remove, try these hints to help remove your plug: Spray penetrating oil down the muzzle of the barrel and let it sit for an hour. Remove the barrel from the frame and place in a padded vice to give better leverage while using the spanner wrench to remove the plug. To use the wrench, insert the post of the wrench into the notch on the plug and turn the handle counter clockwise.

TIPS FOR STUCK BREECH PLUGS:

IMPORTANT: Always make sure to lubricate the breech plug threads liberally with Traditions breech plug grease before using your muzzleloader.

- a. With the breech plug wrench fitted over the breech plug, actually try to tighten the plug and then rock it back and forth to loosen up the fouling.
- b. Remove the barrel from the receiver. Pour some hot water into the barrel and let it soak for about 1/2 hour. Secure the barrel in a padded vise. Position the wrench onto the breech plug and remove. Be careful not to scald yourself with the hot water.
- c. If you still cannot remove plug, contact Traditions Customer Service Department.

INSTALLATION OF THE BREECH PLUG:

1. Spray the breech plug inside and out with Traditions Easy Clean™ solvent or use the EZ Clean™ bath system to loosen the residue and fouling on the plug. Use a stiff brush to clean the outside threads and inner area of the breech plug. A pipe cleaner can be used to get the smaller areas clean and dry.
2. Wipe with a clean cotton cloth. Repeat until all residues are off.
3. Liberally apply Traditions breech plug grease onto the threads of the breech plug as well as the o-ring of the Accelerator breech plug.
4. Place the breech plug in the barrel and thread the breech plug into the barrel using your fingers and rotating the breech plug in a clockwise rotation. Continue to do so until the Accelerator breech plug makes contact with the barrel and seats firmly.



Note: If the breech plug does not thread smoothly or seat fully, remove it and visually inspect the o-ring for wear and the threads on the plug and inside the barrel for fouling or obstructions.

Traditions™ recommends removing, cleaning and re-lubing the breech plug every 10-15 shots. With proper maintenance and care the o-ring will last many years. The o-ring is in place as a gas check and helps to block fouling from reaching the threads. The plug can still be used without the o-ring but may become difficult to remove due to the fouling that will take place.

XI. PREPARING TO LOAD AND LOADING

A MUZZLELOADING RIFLE:

DANGER!

The use of SMOKELESS POWDER in any TRADITIONS muzzleloaders will result in excessively high pressures and will destroy the rifle and cause injury or death to the shooter and bystanders.

If you have any questions regarding powder velocities and pressures please contact the manufacturer of the propellant.

1. Black powder, Pyrodex®, Pyrodex® pellets or Triple 7® powder & pellets are the only safe propellants to use in this muzzleloading rifle. Maximum charges of Triple 7® should be reduced by 15%. This means that the maximum amount of Triple 7® powder that can be used is 130 grains.
2. The term “black powder” does not refer to any powder black in color, since modern smokeless powders are also black in color.
3. Be certain that the propellant you select is commercially manufactured black powder, Pyrodex® or Triple 7® are for use in muzzleloaders.

CAUTION!

NEVER SMOKE WHILE LOADING, SHOOTING OR HANDLING PROPELLANTS. ALWAYS FOLLOW THE MANUFACTURER’S SAFETY PRECAUTIONS AS LISTED ON THE PROPELLANT CONTAINER.

PREPARING TO LOAD THE PROPELLANT:

1. Wear eye protection.
2. Make certain the gun is unloaded.
 - a. Push safety button to “safe”.
 - b. Remove Ramrod from barrel Thimbles
 - c. Unscrew Jag from ramrod and reverse 180 degrees so that concave (hollowed end) is exposed.
 - d. Re-thread Jag so that the concave (hollowed end) is out. This will make the ramrod longer and provide the proper length.
 - e. Insert the ramrod into the barrel. When it is touching the top of the breech plug it should sit approximately 3/4” below the muzzle. (Note: The top of the Ramrod should be just underneath the PAS system ends and the barrel rifling starts)

Note: You should hear a metallic sound as the jag makes contact with the breech plug.

If the ramrod is not 3/4” below the muzzle and you do not hear the metallic sound then the barrel may be either obstructed or loaded. To remove the obstruction, remove the breech plug. Do not attempt to clear the barrel by firing. Before loading anything into the barrel, clean all oil and grease from inside the barrel. We recommend using Traditions cleaning products to enhance your accuracy and ease shooting & cleaning.

TO CLEAR THE IGNITION CHANNEL FOLLOW THESE STEPS:

Point the rifle down towards a safe area on the ground and load a primer into nipple area of the breech plug. Fire one or two primers to blow out any oil or residue from the fire channel. Point the muzzle at a leaf or blade of grass to see if it moves. If it moves, you have a clear channel. If not, fire additional primers or check the breech plug for obstructions. Another way to see if you have a clear fire channel is to screw a loading/cleaning jag on



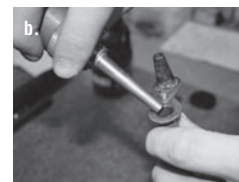
your ramrod and place a dry patch on the muzzle of your rifle Push the patch down to the breech plug face and leave ramrod & patch in bore. Point rifle in a safe direction, place primer in nipple area of the breech plug and fire two primers. Remove ramrod from the bore and inspect patch. Patch should have a complete circular burn in middle. This tells you that you have a clear fire channel. Stand the butt of the rifle on the ground so that the muzzle is pointed up and away from you and others. Never work with your face or any part of your body over the muzzle, even when the gun is unloaded. Be sure that the firearm is unprimed and the safeties are engaged. Your rifle is now ready to be loaded.

LOADING THE POWDER FOR MUZZLELOADING RIFLES:

Use only Black Powder, Pyrodex® loose or pelletized powder or Triple 7® loose or pelletized powder. Follow the Powder Manufacturer’s Instructions when handling any type of powder. Make sure to reduce your charge by 15% when using Triple 7® loose powder.

When loading loose powder:

- a. Fill your Traditions flask with powder.
- b. Adjust your Traditions powder measure to the desired charge. See Section XVIII.
- c. Pour powder from your Traditions flask into the powder measure. Pour powder from the powder measure down the barrel.



WARNING!

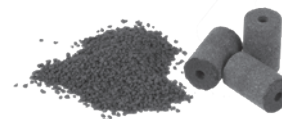
Never load powder into a gun directly from a can, powder horn or flask. Always use a separate calibrated powder measuring device. A remaining spark or ember in the barrel may cause injury or death to you, bystanders and destroy the firearm.

- d. Tap the side of the barrel to settle the powder into the breech area.



When loading pelletized powder (Pellets):

- a. Drop the desired amount of pellets into the barrel with the igniter side down. Using a pipe cleaner to handle the pellets makes it easier to load and keeps oil from your hands off the pellet.



IMPORTANT!

Do not break or crush the pellets when loading or seating the projectile on top of the pellets. This could cause inconsistent groups.

LOADING THE PROJECTILE:

Note: Your muzzleloader is equipped with the Projectile Alignment System (PAS), which helps ensure correct placement of the bullet in the muzzle. Saboted Bullets: The plastic material used in our Traditions sabots is self-lubricating; therefore you need not pre-lube your bullets or sabots.

1. Insert the base of the bullet into the sabot, making certain the bullet is firmly & fully seated against the bottom of the sabot.



2. Place the assembled projectile into the muzzle.
3. Start the projectile with your thumb.



4. Using a ball starter, place the short shaft on top of the bullet and push it downward until the starter hits the top of the muzzle.



5. Push the projectile deeper into the bore using the longer shaft of the ball starter until it hits the muzzle.



6. With the loading jag on your ramrod, position the ramrod on top of the bullet inside the bore. Holding the ramrod no further than 6" over the bore apply firm pressure downward until the bullet is on top of the powder. (Holding the ramrod any higher will increase your chance of breaking your ramrod.)

Note: If you are using pelletized powder do not crush them when loading the bullet. Testing has shown that crushed or broken pellets will cause bullet-grouping problems.

7. After the bullet is seated fully against the powder charge, mark the ramrod at the muzzle. This will show you that each projectile is seated at the same depth each time. If you change the desired powder charge or projectile, you will need to change the mark and make a new one for the new charge.



8. Make sure you remove the ramrod out of the barrel before priming and shooting the muzzleloader.

IMPORTANT!

ALWAYS SEAT THE BULLET FIRMLY ON TOP OF THE POWDER CHARGE. FAILURE TO DO THIS MAY RESULT IN INJURY OR DEATH TO YOU & OR BYSTANDERS.

Note: When using conical bullets or patched round ball, it is recommended to use loose powder only.

CONICAL BULLETS:

1. Lubricate the projectile with Wonderlube 1000 Plus.
2. Place the projectile into the barrel, using the ball starter and ramrod. Follow the same procedures as shown with the sabot bullet loading.

Note: Patches are not to be used with conical bullets; these bullets are made to full bore size.

It is critical that the conical bullet is the correct size to your bore. It must fit fairly tight and require moderate pressure to seat on top of the powder. A loose fit could cause the projectile to separate from the powder, particularly if the gun is subjected to jarring or sharp movement before ignition.

XII. PRIMING YOUR MUZZLELOADER

WARNING!

NEVER PRIME YOUR FIREARM UNTIL YOU ARE READY TO FIRE!

The 209 shotgun primer is very popular because of its' features and benefits for superior ignition. The 209 shotgun primer is exactly as it is named, a shotgun primer, the same primer used in a shotgun shell. The 209 primer has three main benefits over the #11 cap and the musket cap. First, the 209 primer is water resistant which keeps water and moisture out for a sure-fire ignition when conditions are damp or rainy. Second, the 209 primer is larger than the caps and can be

handled easier with gloves when in hunting situations. Thirdly, they are 10 times hotter than a #11 percussion cap which gives a more reliable ignition. Your new break-open rifle uses a 209 primer. When capping your muzzleloader please follow these instructions: Only cap or prime your muzzleloader after you have loaded the rifle and you are ready to shoot.

1. Make sure that the manual safety on your muzzleloader is in the “safe” position.
2. Point the muzzleloader in a safe direction.



3. Keeping the muzzle pointed in a safe direction, open the action to expose the breech area. Using a 209 capper or your fingers, press the primer into the nipple opening in the breech plug. Close the gun. Make sure that the action is completely closed. When you are ready to fire the muzzleloader, place the safety in the “fire” position and cock the hammer.



4. Your muzzleloader is now ready to fire.



XIII. DECAPPING YOUR MUZZLELOADER

AFTER FIRING:

1. Press action release button and open barrel to expose primer.
2. Using a de-priming tool or finger, remove the spent primer.

If your muzzleloader fails to fire:

Anyone involved with muzzleloading firearms may experience a hangfire or misfire. The following are a few simple procedures that will help you to effectively manage such occurrences.

XIV. HANGFIRES & MISFIRES

Hangfire:

A hangfire is a delayed ignition. The primer fires when the trigger is pulled and the main charge fires a brief moment later. There are many reasons that hangfires occur. If you are experiencing hangfires, there are possible causes that you need to evaluate. Verify the following:

1. Verify that the primer is the correct size and properly fitted onto the nipple.
2. Inspect that the ignition channel is clear of obstructions.
3. Verify that the proper propellant is being used and that it is the proper granulation and is free from moisture, contamination and oils.
4. Check the condition of the primers and propellant powder. For hunting situations, it is a wise practice to use fresh primers and powder. Use a fresh load for each day's hunting.

Misfire:

A misfire is a failure of either the primer or the main charge to ignite. This could be a very hazardous situation. Extreme caution should be exercised when dealing with a misfire. Rarely is a misfire the fault of the rifle. Generally, it can be attributed to a problem with the propellant or primer. Should your gun fail to fire for any reason, keep the muzzle pointed at your down-range target for at least one minute with the action closed. By doing so, you make sure you are prepared for the chance of a delayed ignition.

If the percussion cap/primer did not fire:

1. Check to make certain that a primer was installed and is still securely positioned on nipple.
2. Verify that the striker face is free of debris.
3. Try a new primer.

If the primer fires but the main charge does not:

1. Remove the primer while keeping the barrel pointed in a safe direction. Using a cleaning pick, verify that the hole in the breech plug is clear of any obstruction.
2. Tap the butt pad of the rifle with your hand to direct the powder into the ignition channel. If you are using pellets this process will not help.
3. Verify that propellant was loaded under your projectile by running the ramrod down the muzzle and observing the measure marks on your ramrod. Use extreme caution to always keep the muzzle pointed in a safe direction.
4. Check for any mechanical defects in the breech area. If your gun has repeatedly failed to fire, you will need to unload the rifle. See Section XV. At this point a beginning shooter should seek assistance from an experienced shooter. Never leave an unfired charge in the barrel.
5. After verifying the above directions re-prime the muzzleloader and fire.

XV. REMOVING THE PROJECTILE AND THE CHARGE

Method 1

1. Make sure the muzzle of the barrel is pointed in a safe direction at all times.
2. Open the action and carefully remove the primer from the breech plug.
3. Using the Breech Plug/Nipple wrench, supplied with the rifle, remove the breech plug from the rear of the barrel.
4. Insert a ramrod into the muzzle and push the load out of the rear of the barrel.
5. Clean and wipe all surfaces of loose fouling and debris.

Note: It is also possible to drive the projectile out of the muzzle after the powder has been removed. However, an extra long bench rod or a standard ramrod with an extension will be needed to accommodate the added length of the receiver.

Method 2

1. Open the gun and carefully remove the primer from the breech.
2. Using a range/bench ramrod, with a ball puller screw in one end, insert the screw end into the muzzle until the screw makes contact with the projectile.
3. Apply pressure to the end of the ramrod while at the same time turning it, allowing the ball puller screw to bite into the projectile.
4. Continue turning the ramrod until you can determine that the ball puller screw is well anchored into the projectile.
5. Firmly grasp the exposed end of the ramrod with projectile attached, pull it through the barrel and out of the muzzle. One continuous non-stop pull is generally best.

Note: When extracting sabot bullets the first few inches of the pull will separate the projectile from the plastic sabot. At this point the bullet will be free from the sabot and will come out easily. It will then be necessary to reinsert the ball puller screw back down the barrel and screw it into the plastic sabot and also pull it out.

6. Remove powder, if any.
7. Clean and dry the bore of the barrel making sure the breech area is dry before reloading fresh powder.

XVI. SIGHTING IN

Start your sighting in at approximately 25 yards with a large target. You want to achieve a grouping of shots no matter where on the target first. After you are able to shoot at least 3 shots in the same 2" area, then adjust your sight to the center bull's-eye. To adjust: Move the rear sight in the direction you want the bullet to go.

Note: Traditions recommends while sighting in your muzzleloader that you clean the bore between each of your shots. By doing this you are starting out with a fresh, seasoned bore that will help prevent some shooting errors such as powder build up that could cause poor accuracy. Different projectiles and recommended powder charges can vary in accuracy, so make sure to sight in using the same projectiles and powder charges first and then change if needed. Make sure to use the recommended charges.

XVII. SCOPE MOUNTING

Most Traditions In-Line & Break Open muzzleloaders are drilled and tapped for mounting a scope. To sight in your scope, please follow the scope manufacturer's directions.

XVIII. RECOMMENDED RIFLE LOADS

Traditions recommends that you begin your shooting with a charge between 80 grains of Black powder or Pyrodex® loose or pelletized powder (use 56 grains of Triple 7® loose powder) to lessen the recoil & let yourself get acquainted with your muzzleloader. The bullet that you need is dependent upon the game you are hunting. Traditions recommends using a powder charge of 80-150 grains depending on what you are hunting or shooting with your muzzleloader. The maximum powder load for the break-open muzzleloaders when using Pyrodex® powder is 150 grains. The maximum powder load for the break-open muzzleloaders when using Triple 7® loose powder is 130 grains.

RECOMMENDED POWDER AND PROJECTILES

Every muzzleloader shoots differently. Finding the best load for your muzzleloader requires some experimenting with different powder and projectile combinations. Use the guide below to start, if you find that some other load works better in your gun; use it as long as it is within the recommended limits Traditions offers a wide variety of muzzleloading projectiles and sabots. Experimentation, within the recommended loading data, with different grain weight bullets and powder charges will allow you to maximize your accuracy with your muzzleloader. We offer less expensive projectiles to start out with so that you can get the feel of your muzzleloader first and then purchase the better performing bullets.

.45 Caliber T-Shock Bullets			
100 grains of Triple 7® pellets			
180 grain bullet	@ Muzzle	Velocity	Energy
		2062	1699
100 grains of Triple 7® pellets			
200 grain bullet	@ Muzzle	Velocity	Energy
		1592	1125
.50 Caliber T-Shock Bullets			
100 grains of Triple 7® pellets			
250 grain bullet	@ Muzzle	Velocity	Energy
		1871	1943
100 grains of Triple 7® pellets			
275 grain bullet	@ Muzzle	Velocity	Energy
		1764	1900
100 grains of Triple 7® pellets			
300 grain bullet	@ Muzzle	Velocity	Energy
		1698	1921
.54 Caliber T-Shock Bullets			
100 grains of Triple 7® pellets			
300 grain bullet	@ Muzzle	Velocity	Energy
		1799	2156

XIX. CLEANING & MAINTENANCE:

A systematic routine of cleaning while shooting is strongly advised to aid in avoiding problems while loading and to optimize accuracy.

1. When cleaning the bore, use Traditions EZ Clean™ cleaning patches rather than shooting patches. Shooting patches are too small for cleaning and can be lost in the bore.
2. If a patch becomes lost in the bore, use Traditions Patch Puller Worm attached to a ramrod for retrieval, or if necessary, remove the breech plug and push the patch out through the breech area. Never load a charge over a lost patch.
3. If unusual resistance is felt while loading a projectile, place a EZ Clean™ cleaning patch on a cleaning jag affixed to the end of a ramrod and run it the full length of the barrel several times with your objective being to remove as much of the fouling build up as possible.

Note: It should never be necessary to hammer or excessively force a projectile down the bore. Projectiles should load firmly against the powder charge with a series of short strokes. If the projectile is the proper size, unusual resistance usually indicates the need to swab the bore with a treated cleaning patch. Use EZ Clean™ solvent if barrel is heavily fouled. An occasional cleaning of the bore with a brass Traditions Bore Brush is advisable to remove excessive plastic and fouling build-up.

4. When target shooting or sighting in, develop a habit of consistently wiping the bore with Traditions Wonder Lube 1000 patches after each shot. Depending upon the specific load, temperature, and humidity, a short series of shots with black powder, Pyrodex® or Triple 7® can be fired before it becomes necessary to wipe the bore with Traditions EZ Clean™ patches or in order to remove fouling build-up. If for any reason the projectile will not go all the way down to the powder charge, it will be necessary to extract the projectile from the barrel either with a bullet puller on a ramrod or the breech plug can be removed, the charge removed and the projectile forced out the end of the barrel with a long bench/range rod or an extended ramrod.

Note: A dirty fouled barrel will directly affect your ability to group shots. However, in a hunting situation, only a few shots will likely be taken. If the barrel is prepped and lubed at the onset, it is not necessary to clean and lube the interior of the barrel between shots when hunting.

CLEANING AFTER SHOOTING

CAUTION:
BEFORE CLEANING, MAKE ABSOLUTELY CERTAIN THE GUN IS UNPRIMED AND UNLOADED. USE THE RAMROD MEASURING METHOD AS DESCRIBED EARLIER.

Clean your gun as soon as possible after your shooting session. To leave a gun un-cleaned, even overnight, can result in serious and damaging corrosion.

Advice: Take care when cleaning not to get water or solvent into the trigger assembly.

Note: Regardless of the cleaning method, you must remove and thoroughly clean the breech plug and area of the receiver during each cleaning. Be certain to lightly

lubricate the threads of the breech plug with Traditions Breech plug grease before reinstalling.

Cleaning Method:

A thorough cleaning requires the complete disassembly of the firearm every time you shoot your muzzleloader.

1. Make sure the firearm is unprimed and unloaded.
2. With action closed unscrew forend and remove.
3. Open action and lift barrel up and away from receiver.
4. Using a Breech Plug Wrench, remove the breech plug from the barrel
5. Pour 8-10 inches of hot, soapy water into a secured pail.
6. Immerse the receiver end of the barrel into the cleaning solution so that the water is above the breech opening.
7. Using a cleaning patch affixed to a jag or a cleaning brush, pump the soapy water repetitively through the barrel by raising and lowering the ramrod until bore is clean.
8. When the bore is clean, remove barrel from liquid. Run dry cleaning patches up and down bore to dry inside. Wipe outside of barrel with dry cloth.
9. Clean receiver area with EZ Clean™ spray and a soft bristle brush to remove any fouling or debris. Dry receiver and breech area.

WARNING:

DO NOT ATTEMPT TO DISASSEMBLE RECEIVER. THIS INCLUDES ANY PINS HOLDING THE RECEIVER TOGETHER. CLEAN AS A UNIT.

10. Lightly coat outside and inside of barrel and all other metal parts with Wonderlube 1000 Plus. Apply Traditions breech plug grease to the threads of the breech plug.
11. Clean all residues from inside and outside of the stock.
12. Reassemble the muzzleloader.

Note: Store your rifle in a cool, dry, secured area. Storage in a gun case should be avoided as it may hasten condensation and corrosion. During long periods of storage, periodically check for signs of pitting or rusting on the surface and in the barrel bore.

Note: The myth that stainless steel & nickel doesn't have to be cleaned as much as blued steel is false. You need to clean and lubricate your stainless barrel just as you would a blued steel barrel. The stainless and nickel barrels are more rust resistant than blued steel, but over time can rust.

XX. HELPFUL MUZZLELOADING ACCESSORIES

In order to participate fully in the sport, you will probably want to consider the purchase of the various Traditions accessories mentioned in this manual. Your firearms retailer should stock a complete line of accessories from Traditions. If not, ask him to order them for you. Visit him soon to discover all the ways to make your muzzleloading experience even more enjoyable and convenient. Write to

Traditions for a current catalog showing a complete line of firearms, ammunition and accessories or view it on our web site www.traditionsfirearms.com. Your local retailer can special order any Traditions products you want.

XXI. LIMITED LIFETIME WARRANTY

Traditions warrants all factory-finished firearms to be free of defects in workmanship or materials for the lifetime of the firearm. This Limited Lifetime Warranty applies to the original consumer owner. This warranty is put into effect by the return of the authorized warranty card within 30 days of purchase and is not transferable.

Any covered Traditions firearm or part thereof that is returned postage paid to the Repair Center or Customer Service Department will be repaired or replaced to our commercial standard, free of charge, and returned to the consumer postage prepaid.

This warranty does not cover any damage caused by custom alteration of the firearm! This warranty does not cover any damage resulting from careless handling, improper loading, rust or corrosion, neglect, or customer alterations. Nor does it cover normal wear of any part, metal or stock finish, cost of inconvenience due to product failure, or transportation to the Repair Center. Traditions reserves the right to refuse to repair or replace any firearm or parts thereof damaged by any of the above.

Should your Traditions centerfire firearm require repair, we recommend that it be returned to our Warranty Repair Center. This will assure that a competent staff of trained technicians performs all work. Your Traditions Tip Up can be shipped by you directly to our warranty repair center, and we can return it directly to you, as per current US Law. If you use a dealer or gunsmith to ship the rifle, we must return it to the same dealer or gunsmith. NO EXCEPTIONS WILL BE MADE. (Section 178.147 Federal Firearms Regulations)

Any firearm returned to the repair center should be marked to the attention of Warranty & Repair- Attn: Tip Up Firearm Enclosed. A detailed letter of instructions should be enclosed to facilitate handling. Please be sure to include your name, shipping address, and a daytime phone number

Our Repair Center will inspect and evaluate the problem. Should any work not be covered by warranty, you will be advised of the cost. No work will be done without your approval.

Firearms packaged and shipped improperly are not covered under warranty if damage occurs.

Shipping Address:

Traditions
1375 Boston Post Rd. • P.O. Box 776
Old Saybrook, CT 06475-0776
Tel. 860-388-4656
Website: www.traditionsfirearms.com
E-mail: info@traditionsfirearms.com

XXII. PREFERRED CUSTOMER WARRANTY REGISTRATION CARD

Model # _____

Serial # (from barrel) _____

Name _____ Age _____

Street _____

City _____ State _____

Zip _____

Day Time Phone # _____ Date of Purchase _____

Purchase Price _____ Store Name _____

1. What is your age? Under 18 18-24 25-34 35-44
 45-54 55-64 Over 65
2. Reason for your purchase Hunting Target Shooting
 Personal use Gift Raffle Prize Other
3. Do you own? Other muzzleloaders Over/Under Shotgun
 Side by Side Shotgun Semi-Auto Shotgun Pump Shotgun
 Cartridge Rifle Handgun Bow
4. Where purchased? Gun Shop General Sporting Goods Store
 Hardware Store Chain Store Mail Order Catalog
 Internet Store
5. Is this your first muzzleloader? Yes No
6. Which factors influenced your purchase?
 Previously owned a Traditions product Magazine Ad/Article
 Internet/Website Traditions Catalog
 Recommendation of Salesperson Recommendation of a Friend
 Price Features Other
7. What type of game do you hunt? Whitetail Deer Mule Deer Elk
 Bear Antelope Turkey Small Game Other
8. What do you think is the best way to get information about Hunting & Hunting products?
 Magazine Ads Internet/Website Television Programs Radio
- 9a. Which magazine do you read? _____
- 9b. Which TV hunting show do you watch? _____
- Check here to receive a free Traditions catalog showing muzzleloading' largest selection of firearms and accessories or visit our website at www.traditionsfirearms.com
- To receive a Traditions Firearms Logo cap and catalog, send \$12.99 along with your warranty registration card.



Note: Return this card within 15 days of purchase in order to validate your limited lifetime warranty

**Place
Postage Here.**
Or for additional
security enclose
in a envelope.

Traditions[™]

PERFORMANCE FIREARMS

P.O. Box 776 • Old Saybrook, CT 06475-0776

www.traditionsfirearms.com